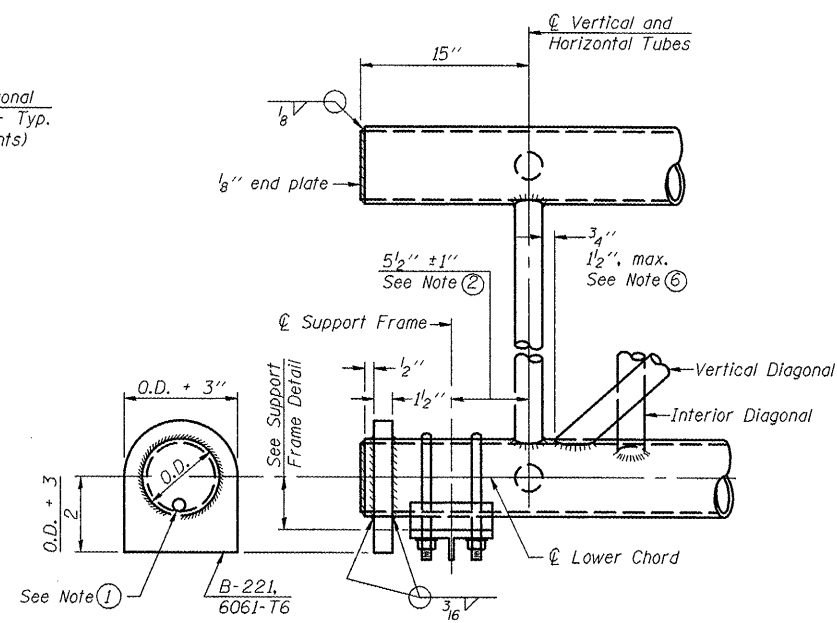
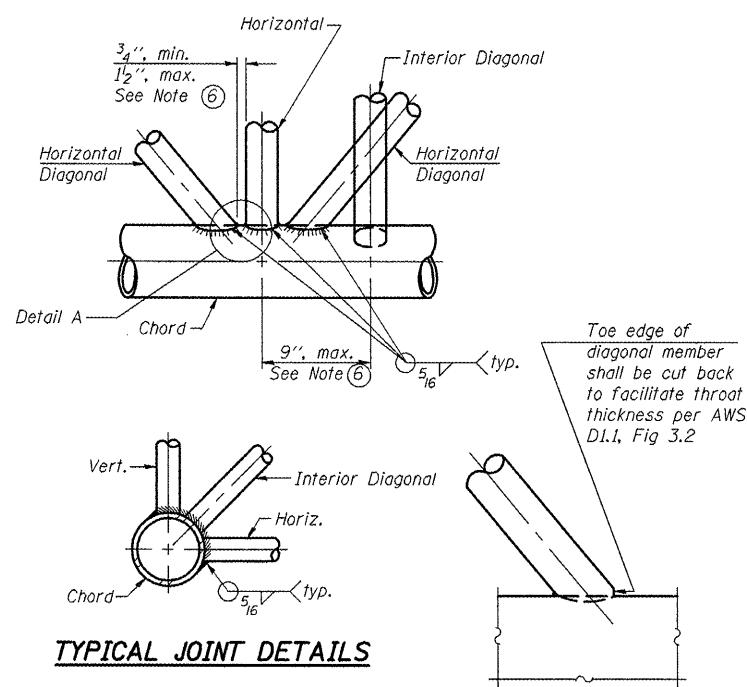


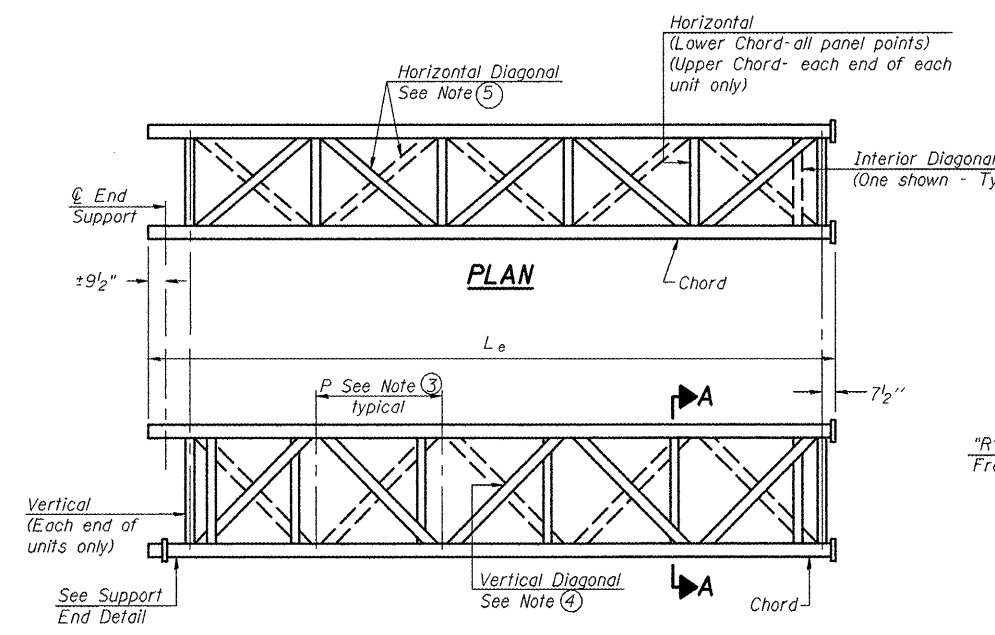
ELEVATION
TYPICAL INTERIOR UNIT
Even number of panels/interior unit required.



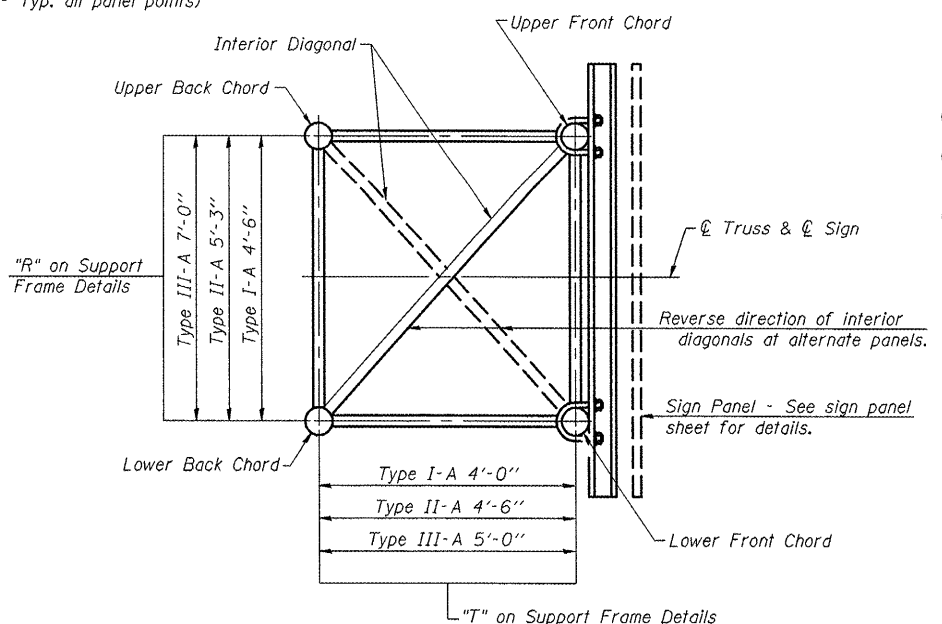
SUPPORT END DETAIL FOR EXTERIOR UNIT



TYPICAL JOINT DETAILS



ELEVATION
TYPICAL EXTERIOR UNIT
Even or odd number of panels/exterior units allowed.



SECTION A-A

- ① Contractor may alternatively use standard aluminum drive-fit cap to close end. 1/2" ϕ drain hole in end plate/drive-fit cap. (Typ. at ends of all chords)
- ② 5 1/2" end dimension may vary by $\pm 1"$ to provide uniform panel spacing (P).
- ③ Panel spacing (P) shall be uniform for entire truss and between 4'-0" and 5'-0" for Type I-A or 4'-0" and 5'-6" for Types II-A and III-A.
- ④ Vertical Diagonals in front and back face shall alternate.
- ⑤ Hidden lines show wind bracing alternates direction between planes of top and bottom chords.
- ⑥ All diagonals shall be detailed for minimum offset from the panel point based on the following. Offset shall be such as to provide a 3/4" minimum to 1/2" maximum clearance between any diagonal and any horizontal or vertical member, and to provide clearance for U-bolt connections of signs or walkway brackets.

OS-A-2

1-20-11

FILE NAME =	USER NAME = ceer1ackjd	DESIGNED - JAL	REVISED -
ce:\pwwork\pwwork\ceer1ackjd\02665571.dwg	46179-shr-detaills.dgn	DRAWN -	REVISED -
PLOT SCALE = 40.0000' / 1"	CHECKED -	REVISIONS -	
PLOT DATE = 10/7/2011	DATE - 04/26/11	REVISED -	

STATE OF ILLINOIS
DEPARTMENT OF TRANSPORTATION

OVERHEAD SIGN STRUCTURES - ALUMINUM TRUSS
DETAILS FOR TRUSS TYPES I-A, II-A AND III-A

SCALE: SHEET NO. 5 OF 17 SHEETS STA. TO STA.

F.A. RTE.	SECTION	COUNTY	TOTAL SHEETS	SHEET NO.
	••	Various	178	31
CONTRACT NO. 46179				
ILLINOIS FED. AID PROJECT				

•VARIOUS COUNTIES
•D-5 OVD SIN STR REPL 2012-06