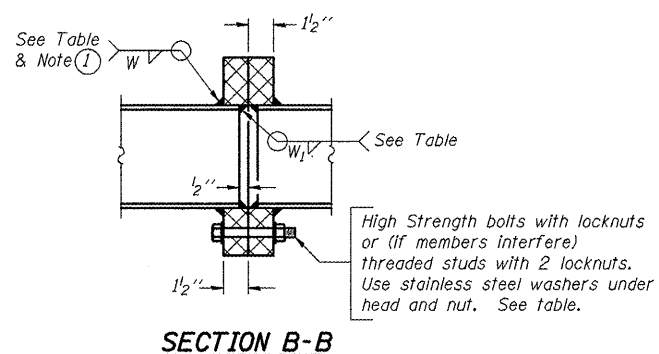
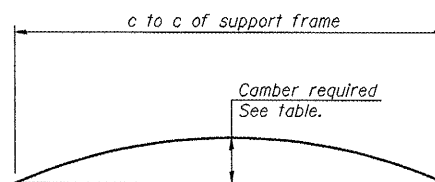
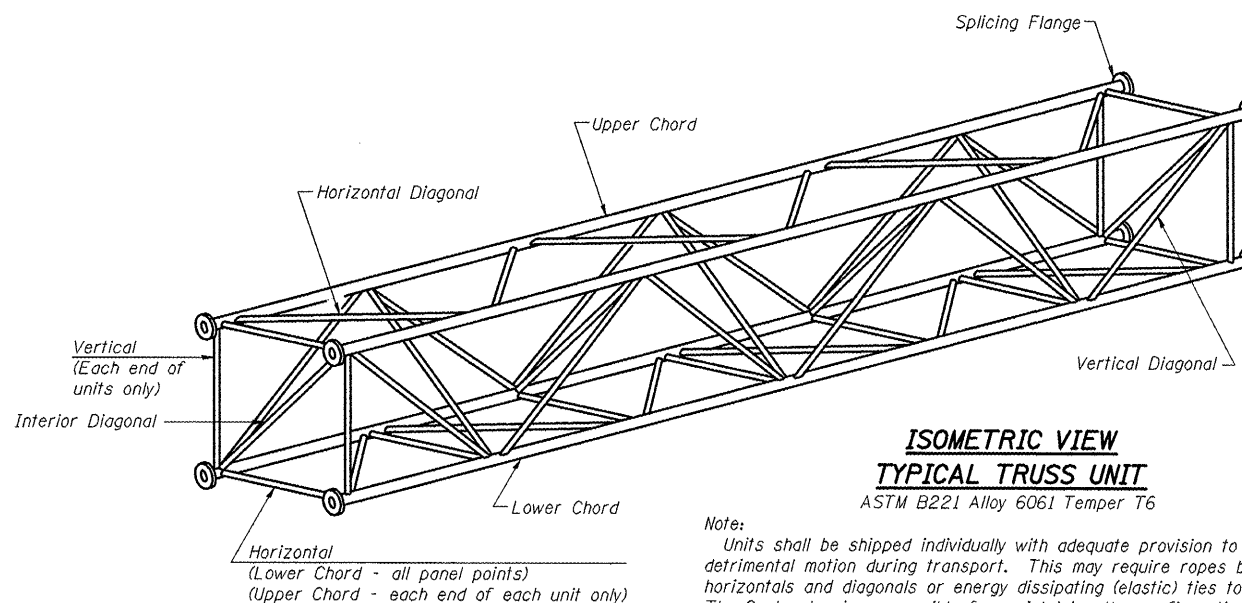


**TRUSS UNIT TABLE**

Structure Number	Station	Design Truss Type	Exterior Units (2)			Interior Unit				Upper & Lower Chord		Verticals; Horizontals; Vertical, Horizontal, and Interior Diagonals		Camber at Midspan	Splicing Flange					
			No. Panels per Unit	Unit Lgth.(L <sub>e</sub> )	Panel Lgth.(P)	No. Req'd.	No. Panels per Unit	Unit Lgth.(L <sub>i</sub> )	Panel Lgth.(P)	O.D.	Wall	O.D.	Wall		Bolts No./Splice	Diag.	Weld Sizes W	W <sub>1</sub>	A	B
5 S 010 1057 L235.32	496+10	II-A	6	32'-1 1/2"	5'-0 1/2"	1	6	31'-6"	5'-0 1/2"	6"	5/16"	3"	5/16"	2 3/4"	6	7/8"	3/8"	1/4"	10 1/4"	13 3/4"
5 S 010 1057 R236.14	414+50	II-A	7	38'-4"	5'-2 1/2"	0	—	—	—	5 1/2"	5/16"	3"	5/16"	1 3/4"	6	7/8"	3/8"	1/4"	9 1/4"	12 1/4"

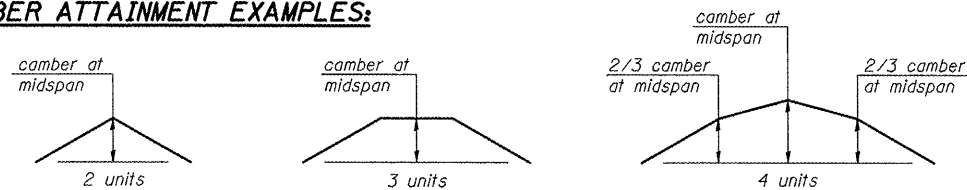


① Splicing Flanges shall be attached to each truss unit with the truss shop assembled to camber shown. Truss units shall be in proper alignment and flange surfaces shall be shop bolted into full contact before welding. Sufficient external welds or tacks shall be made to secure flanges until remaining welds are made after disassembly. Adjacent flanges shall be "match marked" to insure proper field assembly.

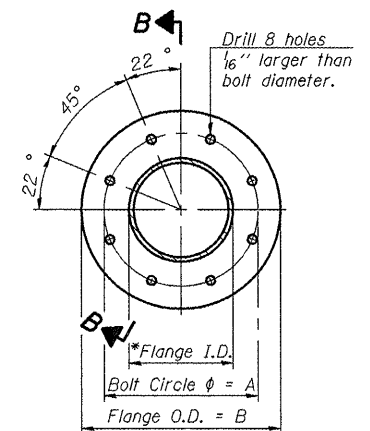
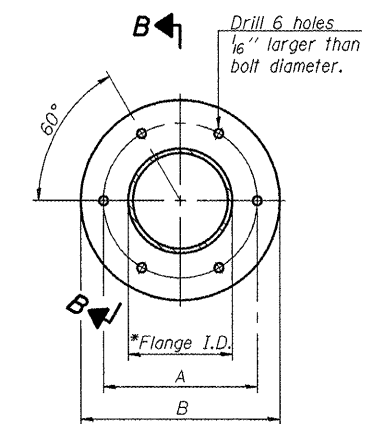


Camber curve shown is theoretical. Actual camber attained by slope changes at splices between units.

**CAMBER ATTAINMENT EXAMPLES:**



Camber shown is for fabrication only, measured with truss fully supported. (No-load condition)



**SPLICING FLANGES**  
ASTM B221, Alloy 6061-T6  
or ASTM B209, Alloy 6061-T651  
\*To fit O.D. of Chord with maximum gap of 1/16".

OS4-A-2 1-20-11

FILE NAME =	USER NAME = oearlockjd	DESIGNED - JAL	REVISED -	<b>STATE OF ILLINOIS DEPARTMENT OF TRANSPORTATION</b>	<b>OVERHEAD SIGN STRUCTURES - ALUMINUM TRUSS DETAILS FOR TRUSS TYPES I-A, II-A AND III-A</b>	F.A. RTE.	SECTION	COUNTY	TOTAL SHEETS	SHEET NO.
et:\pw\work\puidot\oearlockjd\02665571046179-sht-details.dgn	PLOT SCALE = 40.0000' / 1"	DRAWN -	REVISED -			SCALE:	SHEET NO. 6 OF 17 SHEETS	STA.	TO STA.	Various
	PLOT DATE = 10/7/2011	CHECKED -	REVISED -					CONTRACT NO. 46179		
		DATE - 04/26/11	REVISED -	ILLINOIS FED. AID PROJECT						

•VARIOUS COUNTIES  
\*\*D-5 OVD SIN STR REPL 2012-06