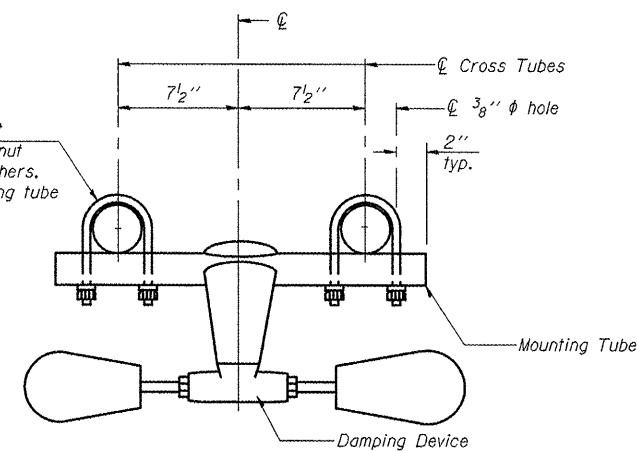
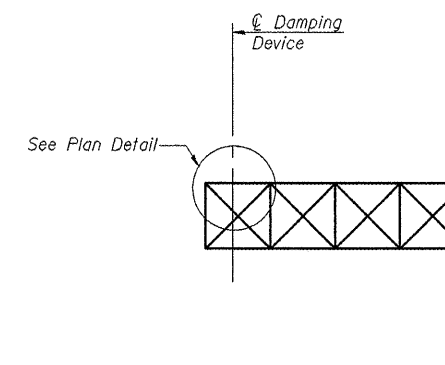


PLAN DETAIL



TRUSS DAMPING DEVICE CONNECTION DETAIL

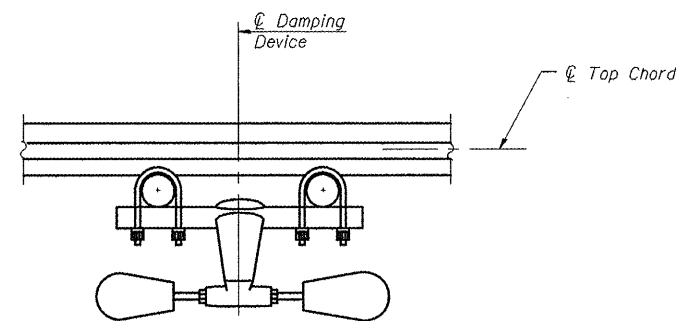


ELEVATION
Aluminum Cantilever Sign Structure

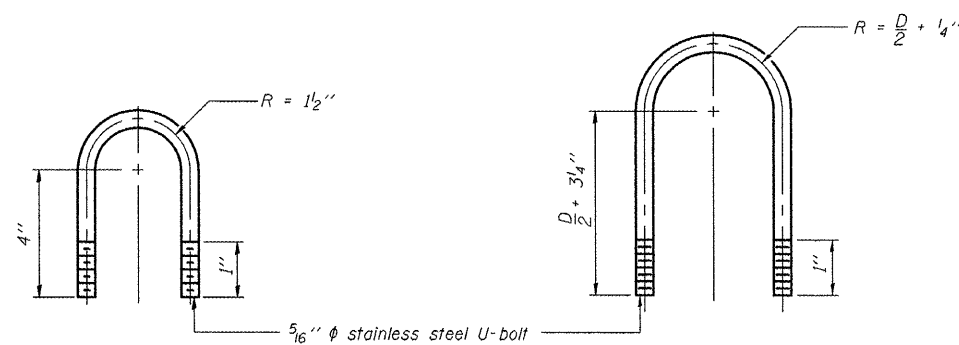
GENERAL NOTES

Damper: One damper per truss. (31 lbs. Stockbridge-Type Aluminum-29" minimum between ends of weights)

Materials: Aluminum tubes shall be ASTM B221 alloy 6061 temper T6



SECTION A-A



DAMPING DEVICE MOUNTING TUBE U-BOLT DETAIL
(Typical)

TOP CHORD TO CROSS TUBE U-BOLT DETAIL
(Typical)

OSC-A-D

9-15-11

FILE NAME =	USER NAME = ceer-lockjd	DESIGNED - JAL	REVISED -
ce:\pwwork\pwwid\ceer-lockjd\0266557\046179-sht-details.dgn		DRAWN -	REVISED -
PLOT SCALE = 40.0000' / 1"		CHECKED -	REVISED -
PLOT DATE = 10/7/2011		DATE = 04/26/11	REVISED -

STATE OF ILLINOIS
DEPARTMENT OF TRANSPORTATION

CANTILEVER SIGN STRUCTURE
DAMPING DEVICE

SCALE: SHEET NO. 4 OF 10 SHEETS STA. TO STA.

F.A. RTE.	SECTION	COUNTY	TOTAL SHEETS	SHEET NO.
*	**	Various	178	50
CONTRACT NO. 46179				
ILLINOIS FED. AID PROJECT				

•VARIOUS COUNTIES
••D-5 OVD SIN STR REPL 2012-06