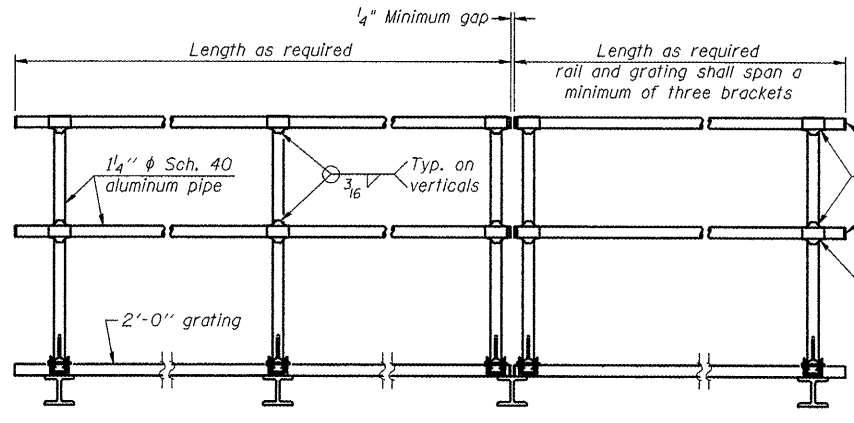


SIDE ELEVATION
(Showing Safety Chain W/O Sign)

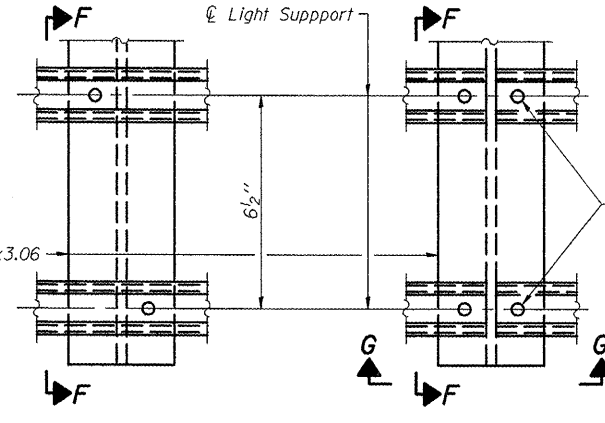


FRONT ELEVATION

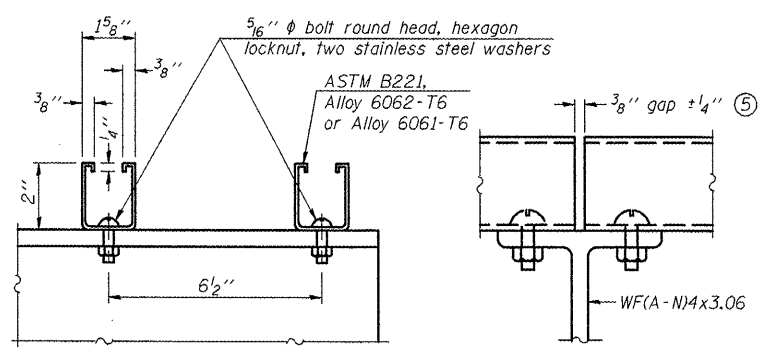
HANDRAIL DETAILS

Handrail pipe shall be ASTM B241 or B429, Alloy 6063-T6 or Alloy 6061-T6.

- ① Install standard force-fit end caps or weld 1/2" end plates with 1/8" c.f.w. and grind smooth. (All rail ends)
- ② Horizontal handrail member shall be continuous thru fitting. Provide 7/16" hole in fitting for 3/8" bolt. Field drill 1/16" hole in horizontal rail member. Provide locknut and two stainless steel washers for bolt. (Use 5/16" eyebolts in 7/16" holes on top rail at ends only.)

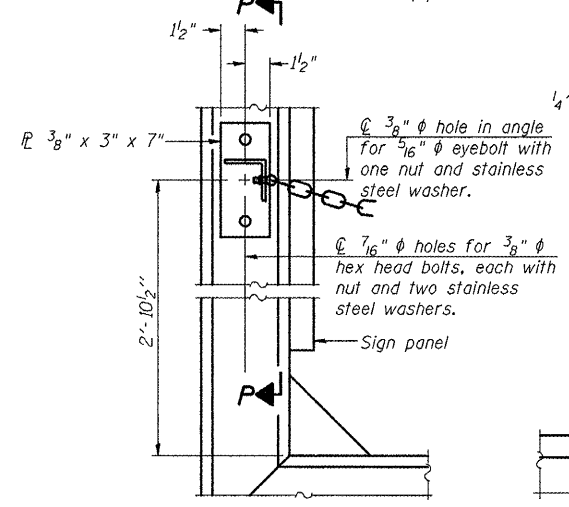


DETAIL F **DETAIL G**

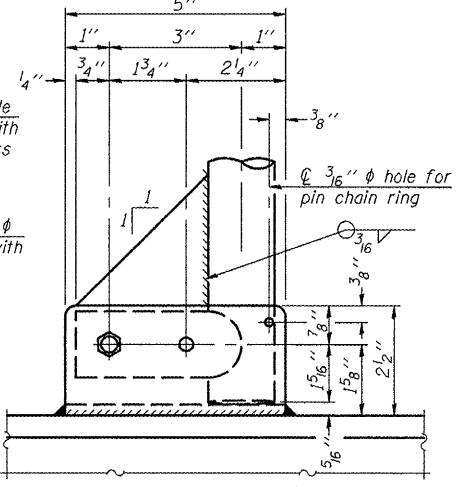


SECTION F-F **SECTION G-G**
LIGHTING FIXTURE MOUNTS (IF REQUIRED)

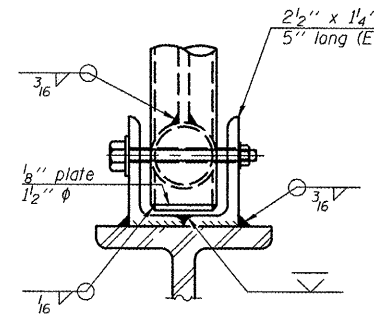
⑤ Field cut ends of light support channels shall be free of burrs or hazardous projections and coated with zinc-rich primer or equivalent.



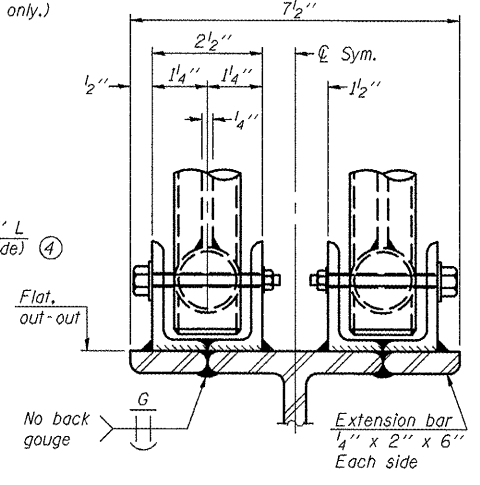
ALTERNATE SAFETY CHAIN ATTACHMENT
(With Sign Present)
Items not shown same as "Side Elevation" of "Handrail Details"



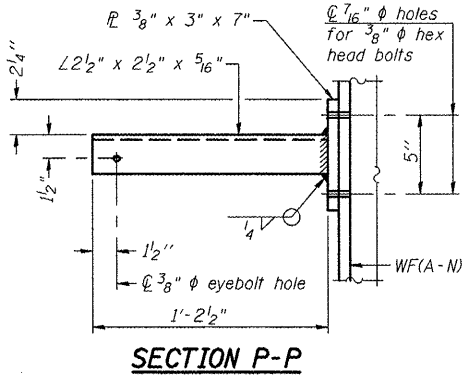
SIDE ELEVATION



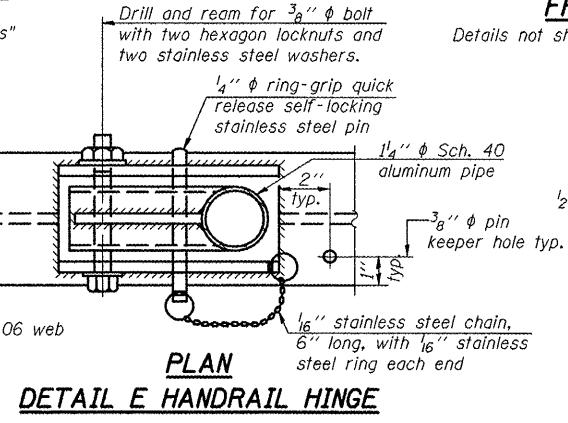
FRONT ELEVATION



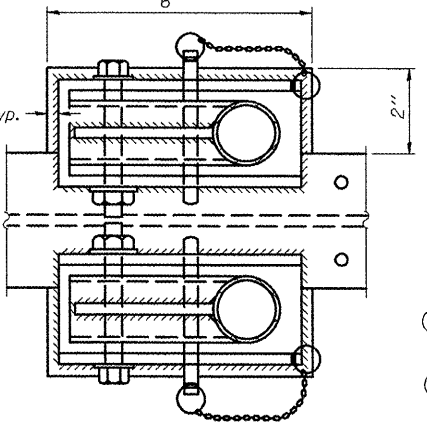
ELEVATION AT HANDRAIL JOINT ④
Details not shown same as "FRONT ELEVATION"



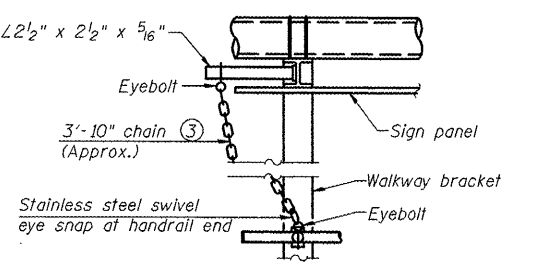
SECTION P-P



PLAN
DETAIL E HANDRAIL HINGE

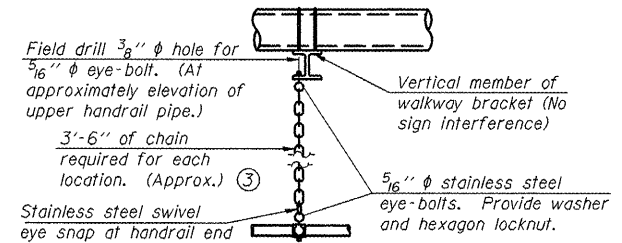


PLAN AT HANDRAIL JOINT
Details not shown same as "PLAN"



ALTERNATE SAFETY CHAIN ATTACHMENT
Details not shown similar to "Safety Chain" Details (Walkway omitted for clarity)

- ③ 3/16" Type 304L stainless steel chain, approximately 12 links per foot.
- ④ Extrusions may be used in lieu of the details shown, with approval of the Engineer.



SAFETY CHAIN

One required for each end of each walkway.

OSC-A-8

9-15-11

FILE NAME =	USER NAME = ceerlookjd	DESIGNED - JAL	REVISED -
et:\pwwork\pwwid\ceerlookjd\0266557\0546179-shd-details.dgn		DRAWN -	REVISED -
PLOT SCALE = 48.0000' / 1"		CHECKED -	REVISED -
PLOT DATE = 10/7/2011		DATE - 04/26/11	REVISED -

STATE OF ILLINOIS
DEPARTMENT OF TRANSPORTATION

CANTILEVER SIGN STRUCTURES - HANDRAIL DETAILS
ALUMINUM TRUSS & STEEL POST

F.A. RTE.	SECTION	COUNTY	TOTAL SHEETS	SHEET NO.
	**	Various	178	55
CONTRACT NO. 46179				
ILLINOIS FED. AID PROJECT				

•VARIOUS COUNTIES
•D-5 OVD SIN STR REPL 2012-06

SCALE: SHEET NO. 9 OF 10 SHEETS STA. TO STA.