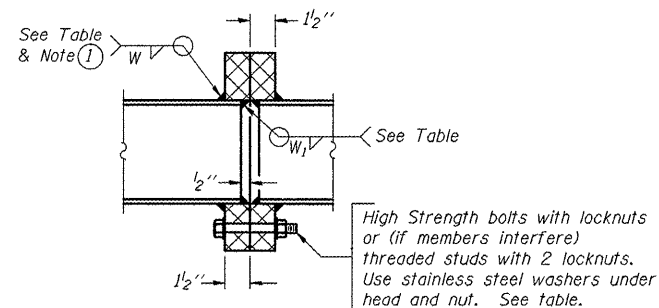


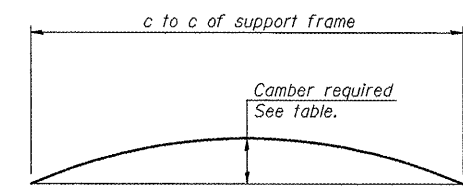
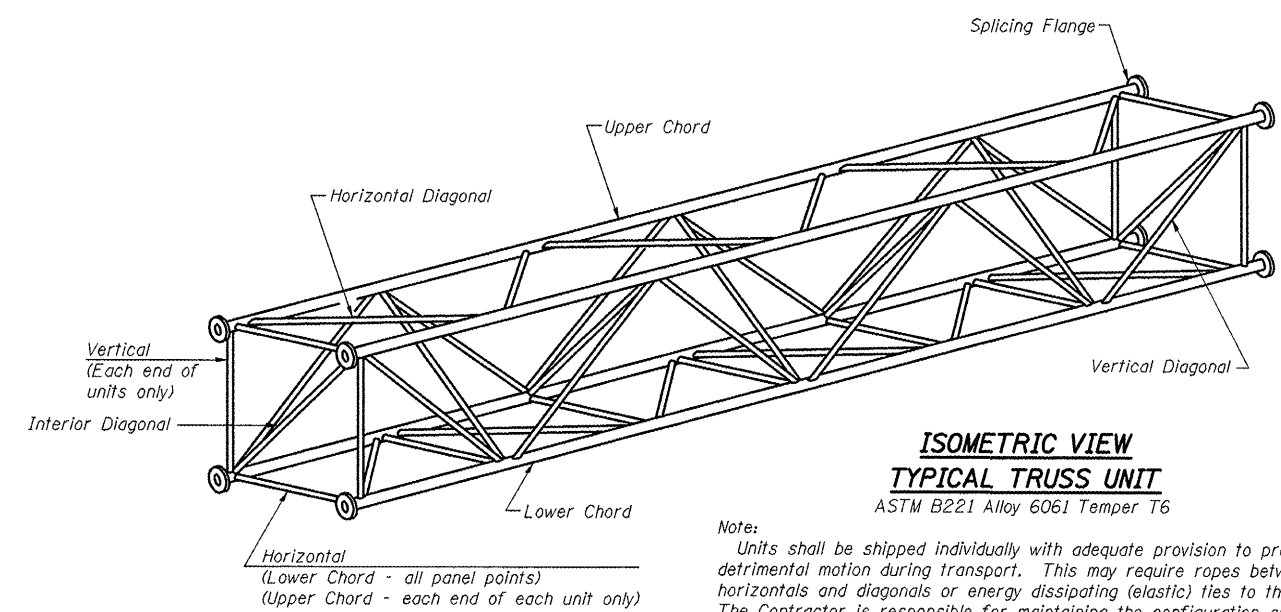
TRUSS UNIT TABLE

Structure Number	Station	Design Truss Type	Exterior Units (2)			Interior Unit				Upper & Lower Chord		Verticals; Horizontals; Vertical, Horizontal, and Interior Diagonals		Camber at Midspan	Splicing Flange					
			No. Panels per Unit	Unit Lgth.(L _e)	Panel Lgth.(P)	No. Req'd.	No. Panels per Unit	Unit Lgth.(L _i)	Panel Lgth.(P)	O.D.	Wall	O.D.	Wall		Bolts		Weld Sizes			
															No./Splice	Dia.	W	W ₁	A	B
5 S 057 1074 L134.10	647+84	III-A	5	27'-8 1/2"	5'-2"	1	6	32'-3"	5'-2"	7"	5/16"	3 1/4"	5/16"	1 1/2"	6	1"	7/16"	5/16"	11 1/2"	15"
5 S 057 1055 R156.20	645+76	III-A	RE-USE EXISTING TRUSS										7" (EXISTING)	3 1/4" (EXISTING)						
5 S 057 U055 R000.20	71+67	II-A	7	35'-8 1/2"	4'-10"	0	-	-	-	5 1/2"	5/16"	3"	5/16"	1 1/2"	6	7/8"	3/8"	1/4"	9 1/4"	12 1/4"

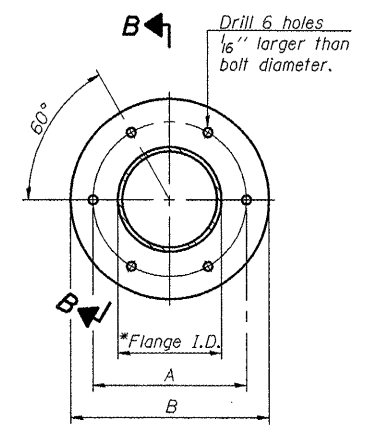
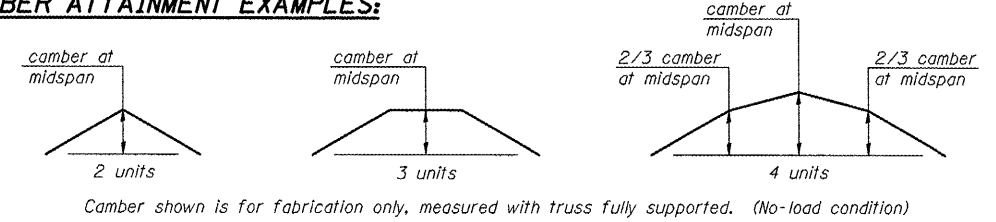


SECTION B-B

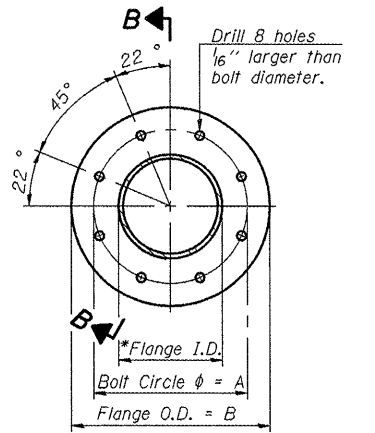
(1) Splicing Flanges shall be attached to each truss unit with the truss shop assembled to camber shown. Truss units shall be in proper alignment and flange surfaces shall be shop bolted into full contact before welding. Sufficient external welds or tacks shall be made to secure flanges until remaining welds are made after disassembly. Adjacent flanges shall be "match marked" to insure proper field assembly.



CAMBER ATTAINMENT EXAMPLES:



TRUSS TYPES I-A, II-A, & III-A



TRUSS TYPES II-A & III-A

SPLICING FLANGES

ASTM B221, Alloy 6061-T6
or ASTM B209, Alloy 6061-T651
*To fit O.D. of Chord with maximum gap of 1/16".

OS4-A-2 1-20-11

FILE NAME =	USER NAME = ceerlock_jd	DESIGNED - JAL	REVISED -	STATE OF ILLINOIS DEPARTMENT OF TRANSPORTATION	OVERHEAD SIGN STRUCTURES - ALUMINUM TRUSS DETAILS FOR TRUSS TYPES I-A, II-A AND III-A	F.A. RTE.	SECTION	COUNTY	TOTAL SHEETS	SHEET NO.	
ca:\pwork\pwidot\ceerlock_jd\0266557\0266179-sht-details.dgn	PLOT SCALE = 40.0000' / 1"	DRAWN -	REVISED -			•	**	Various	178	72	
PLOT DATE = 10/7/2011	DATE = 04/26/11	CHECKED -	REVISED -			SCALE:	SHEET NO. 5 OF 24 SHEETS	STA.	TO STA.	CONTRACT NO. 46179	
										ILLINOIS FED. AID PROJECT	

•VARIOUS COUNTIES
••D-5 OVD SIN STR REPL 2012-06