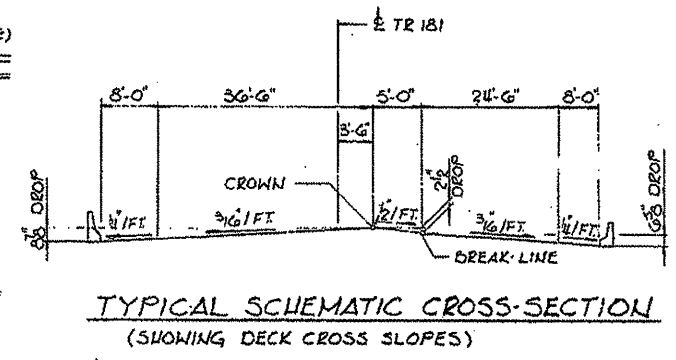
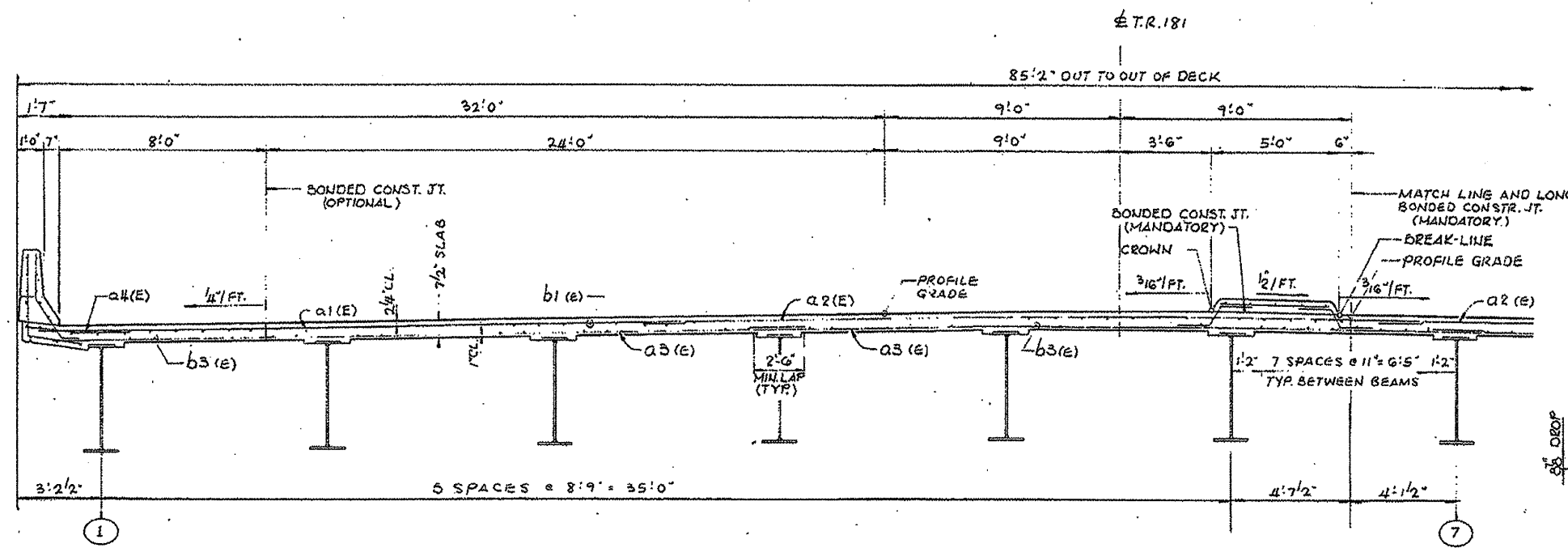


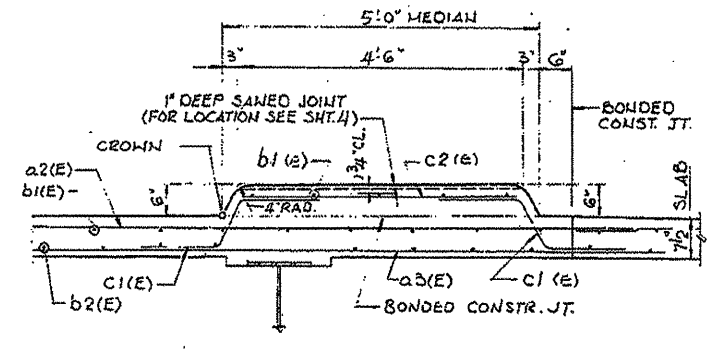
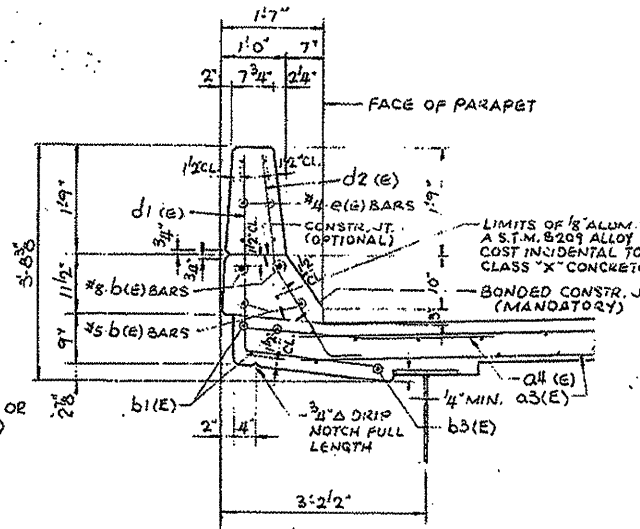
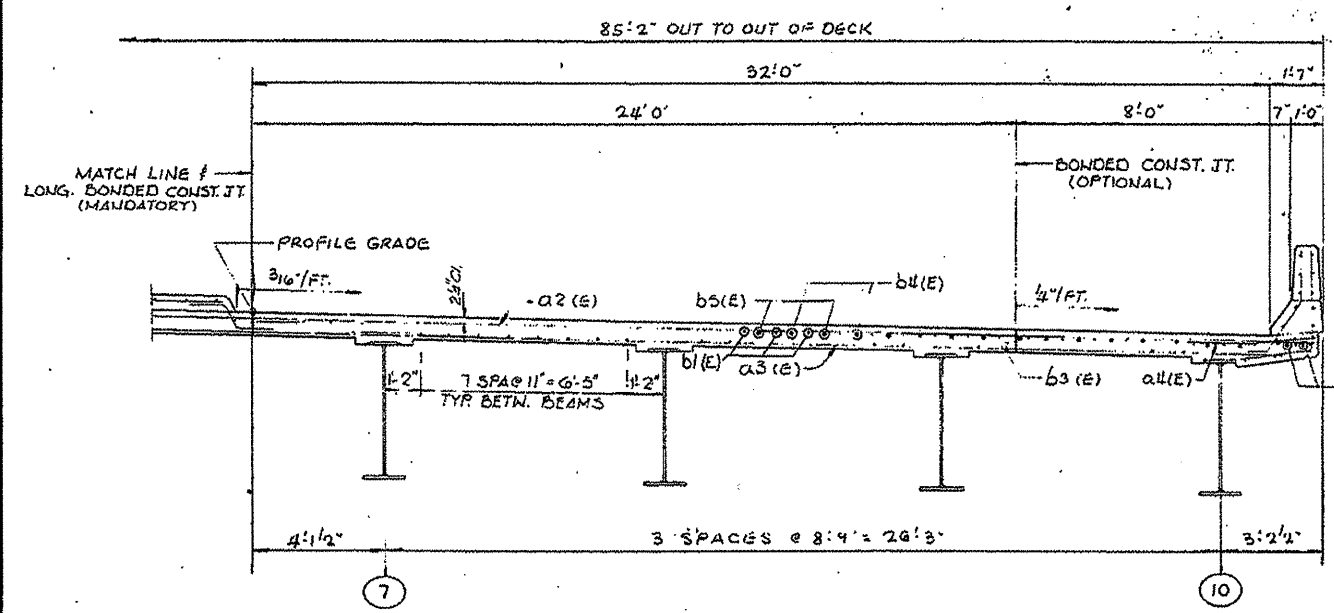
# 057-0213 EXISTING INFORMATION ONLY

ROUTE NO.	SECTION	COUNTY	TOTAL SHEETS	SHEET NO.
FAP 412	57-2HB-1	MCLEAN		22A
STA.	TO STA.			
F.H.W.A. REG. NO. 4	ILLINOIS	PROJECT		

SHEET 5 OF 20



**PART SECTION A-A**  
(MID-SPAN)



**PART SECTION A-A**  
(FRONT WALL)

**PARAPET DETAIL**

**MEDIAN DETAIL**

**DECK CROSS SECTION DETAILS**

TR. 181 OVER F.A.P. ROUTE 412  
F.A.P. ROUTE 412-SEC. 57  
MCLEAN COUNTY  
STATION 178+52.88  
STRUCTURE NUMBER 057-0213



FILE NAME =	USER NAME = ceo-lockjd	DESIGNED - JAL	REVISED -	<b>STATE OF ILLINOIS DEPARTMENT OF TRANSPORTATION</b>	<b>057-0213 AS-BUILTS FOR INFORMATION ONLY</b>	F.A. RTE.	SECTION	COUNTY	TOTAL SHEETS	SHEET NO.	
alpv-work\pudat\ceo-lockjd\0266557\046179-sht-details.dgn		DRAWN -	REVISED -					**	Various	178	122
PLOT SCALE = 40,0000 / in.		CHECKED -	REVISED -								CONTRACT NO. 46179
PLOT DATE = 10/7/2011		DATE - 04/26/11	REVISED -								ILLINOIS FED. AID PROJECT

\*VARIOUS COUNTIES  
\*\*D-5 OVD SIN STR REPL 2012-06

SCALE: SHEET NO. 20 OF 24 SHEETS STA. TO STA.