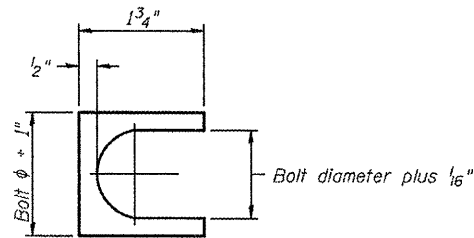


**ELEVATION**

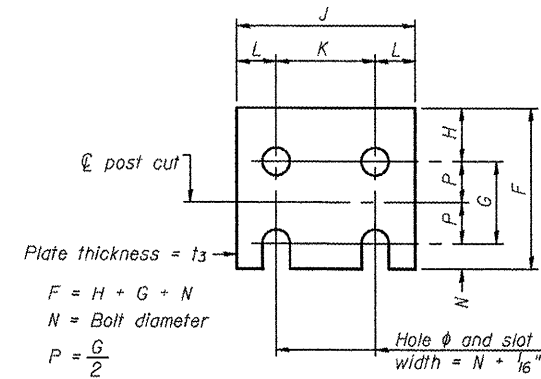
W		
0.15W	2 spaces at 0.35W	0.15W
0.125W	3 spaces at 0.25W	0.125W
0.1W	4 spaces at 0.2W	0.1W
0.1W	5 spaces at 0.16W	0.1W
0.08W	6 spaces at 0.14W	0.08W

for 3 posts  
for 4 posts  
for 5 posts  
for 6 posts  
for 7 posts



**SHIM DETAIL**

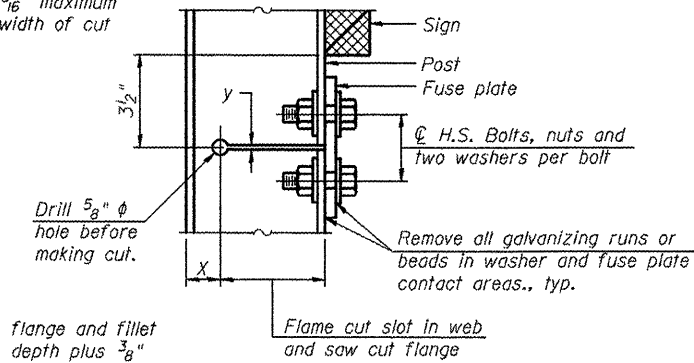
Furnish two 0.01" thick and two 0.03" thick stainless steel or brass (ASTM B36) shims per post.



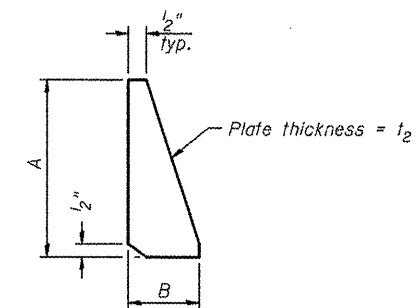
**FUSE PLATE DETAIL**  
(Install with notches down.)

FUSE PLATE DATA		
N = Bolt Diameter	G	H
1/2"	2"	1 1/8"
5/8"	2 1/4"	1 1/4"
3/4"	2 1/2"	1 3/8"
7/8"	2 3/4"	1 1/2"
1"	3"	1 5/8"
1 1/8"	3 1/4"	1 3/4"
1 1/4"	3 1/2"	1 7/8"

y = 3/16" maximum width of cut



**DETAIL H**



**STIFFENER PLATE DETAIL**

**GENERAL NOTES**

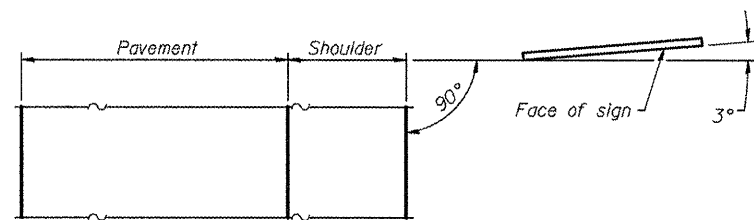
Posts shall be plumbed by using shims with post-to-stub post connection bolts snug tight only. Final tightening of all High Strength Bolts shall be in accordance with Article 727.05 and threads at the junction of the bolt and nut shall be burred or center punched to prevent the nut from loosening.

LOADING: 80 m.p.h. wind with 30% gust factor, normal to sign.

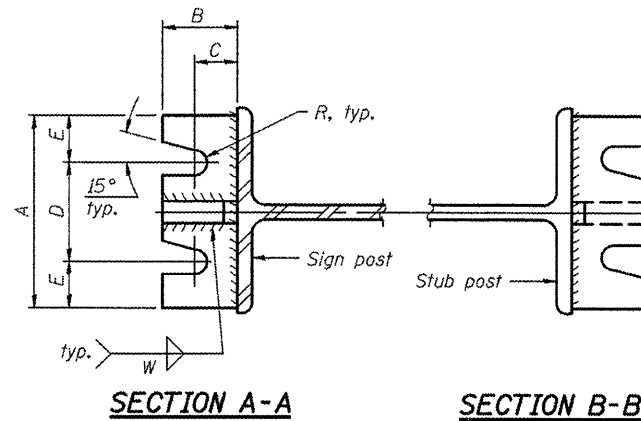
DESIGN STRESSES:  
Structural steel - 20,000 p.s.i.  
Reinforcing steel - 20,000 p.s.i.  
Concrete - 1,400 p.s.i.  
Footing soil pressure - 2,000 p.s.f.

After fabrication, the post, fuse plate and upper 6", min. of the stub post shall be hot-dip galvanized in accordance with AASHTO M111. All bolts, nuts and washers shall be hot-dip galvanized in accordance with AASHTO M232.

Work this sheet with Base Sheet BAW-A-2.  
\*VARIOUS COUNTIES  
\*\*0-5 OVD SIN STR REPL 2012-06

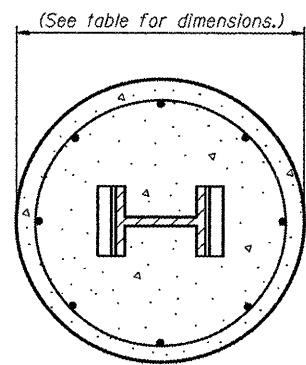


**LOCATION SKETCH**

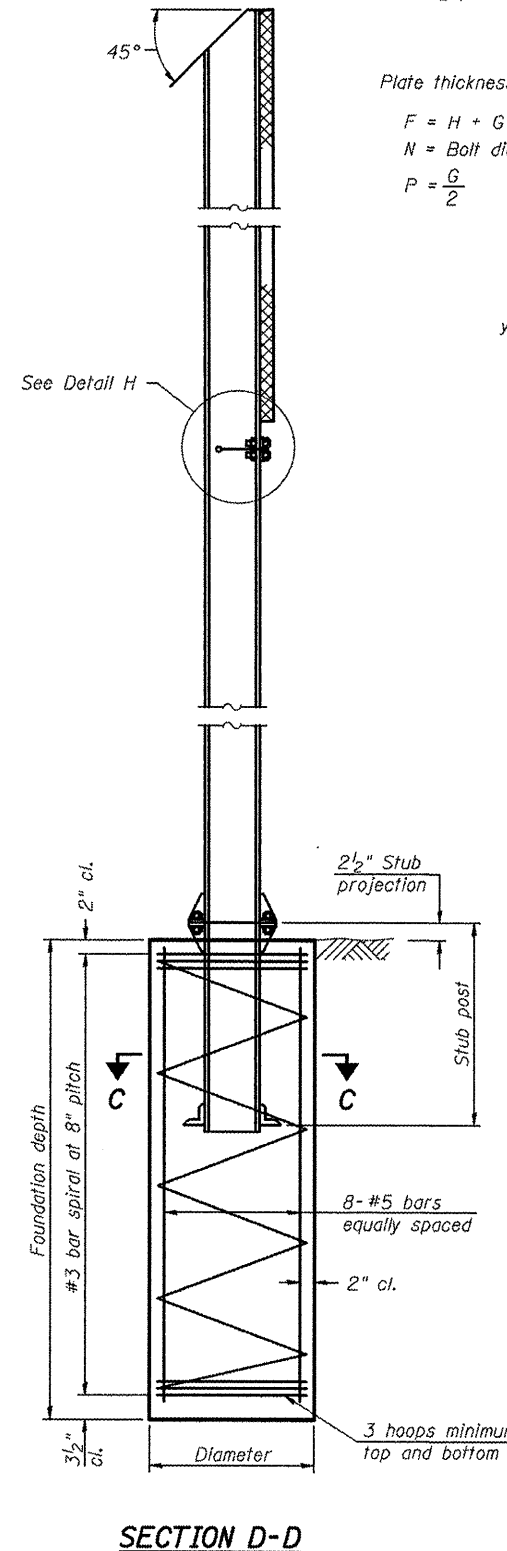


**SECTION A-A**

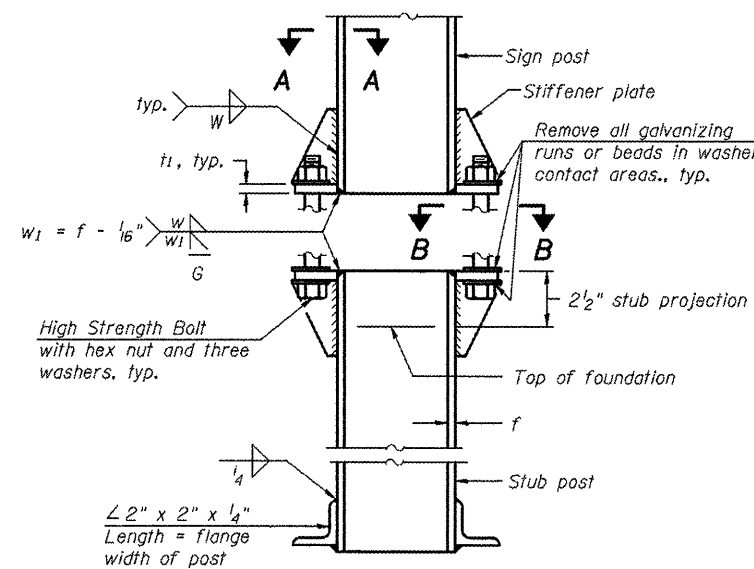
**SECTION B-B**



**SECTION C-C**



**SECTION D-D**



**ELEVATION SIGN POST & STUB POST**

BAW-A-1

1-20-11

(Sheet 1 of 2)

FILE NAME =	USER NAME = ceerlookjd	DESIGNED - JAL	REVISED -
ce:\pwwork\pwwork\ceerlookjd\0266557\0266557.dgn	46179-shit-details.dgn	DRAWN -	REVISED -
PLOT SCALE = 48.0000' / in.		CHECKED -	REVISED -
PLOT DATE = 10/7/2011		DATE - 04/26/11	REVISED -

STATE OF ILLINOIS  
DEPARTMENT OF TRANSPORTATION

BREAK-AWAY WIDE FLANGE  
STEEL SIGN POST DETAILS

SCALE: SHEET NO. 1 OF 2 SHEETS STA. TO STA.

F.A. RTE.	SECTION	COUNTY	TOTAL SHEETS	SHEET NO.
*	**	Various	178	152
			CONTRACT NO. 46179	
ILLINOIS FED. AID PROJECT				