

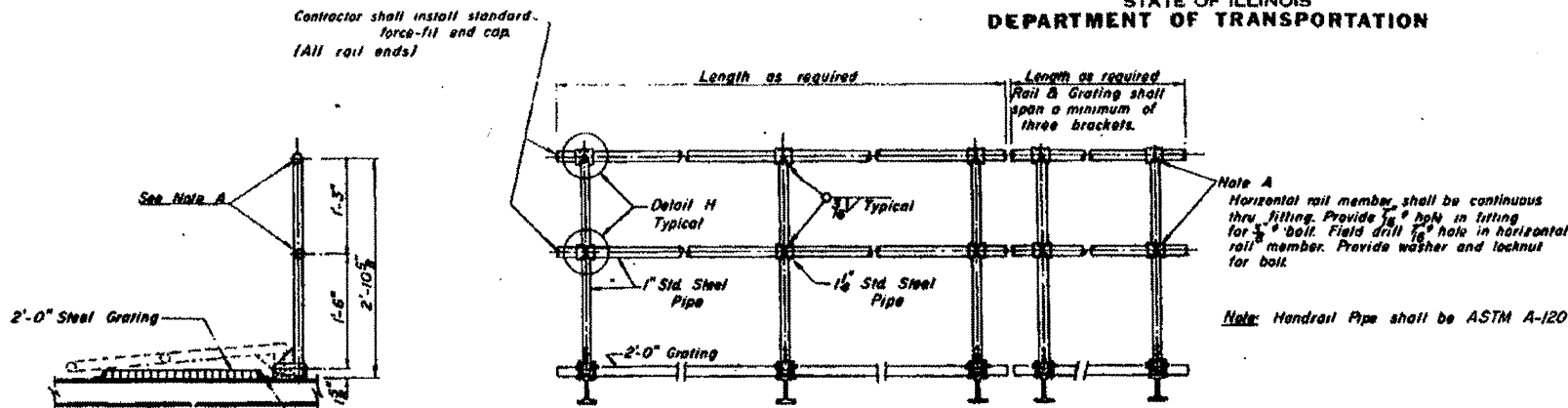
EXISTING INFORMATION ONLY

STATE OF ILLINOIS
DEPARTMENT OF TRANSPORTATION

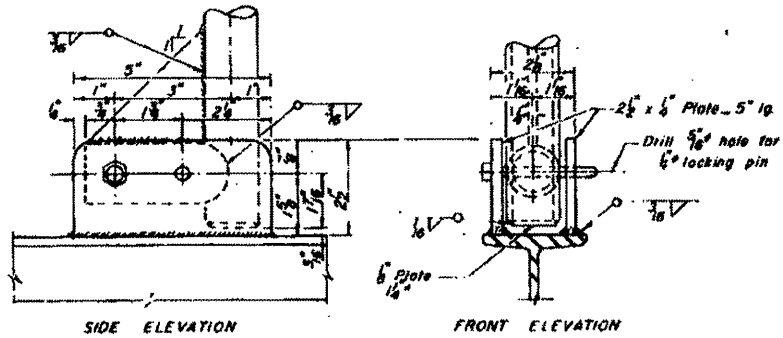
* FAP 412, FAI-55, FAP 46 (U.S. DTE. 51)
* * * 27-A (HBR-4, VBR, 101, 62R, 1, 5C & TS)

SHEET NO.	SECTION	COUNTY	TOTAL SHEETS	SHEET NO.
*	**	McLEAN	319	131

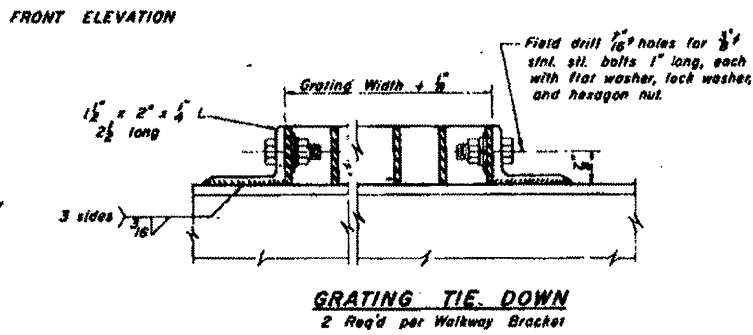
SHEET NO. SHEETS



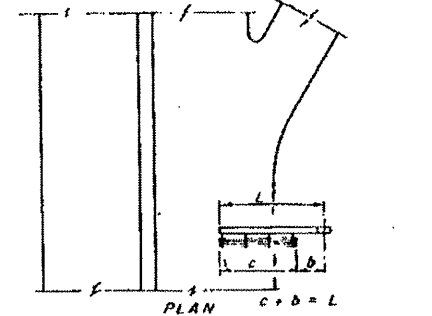
TYPICAL HANDRAIL DETAIL



DETAILS OF HANDRAIL HINGE



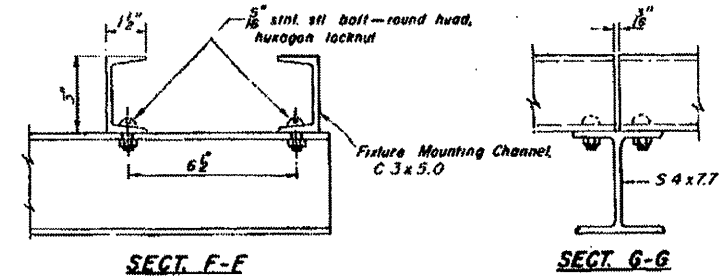
GRATING TIE DOWN



WALKWAY AND HANDRAIL SKETCH

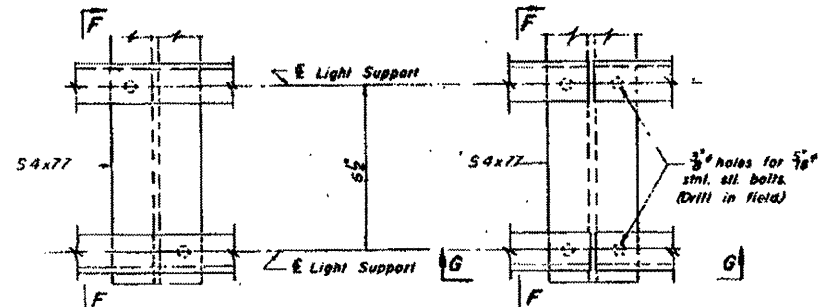
Note: Road Plan shown merely typical

Structure Number	Station	b	c	Grating & Handrail Lengths
C1	195+00.0 (FAI-55)	1211	2250	2510"
C2	195+80.0 (U.S. 51)	717	4610	4610"
C3	51+00.0 (U.S. 51)	717	4610	4610"



SECT. F-F

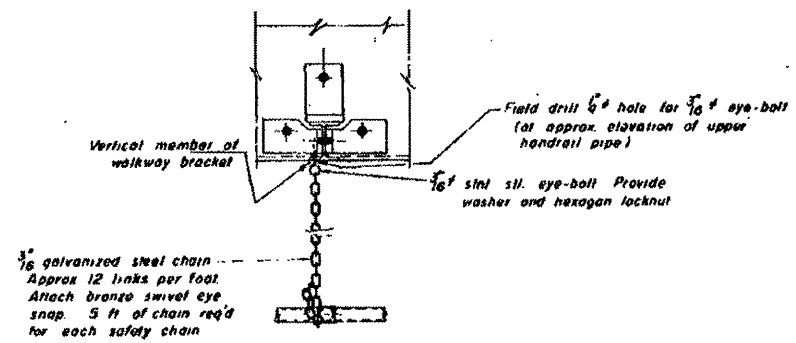
SECT. G-G



DETAIL F

DETAIL G

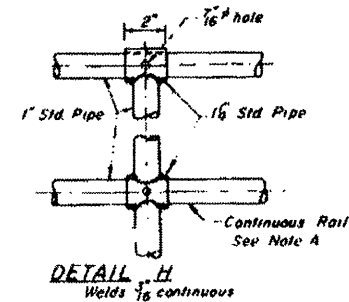
LIGHTING FIXTURE MOUNTS (IF REQ'D.)



SAFETY CHAIN

One (1) required for each end of each walkway

Note: All bolts, nuts, and washers shall be stainless steel conforming to ASTM A193, Class 1, Grade B8.



DETAIL H

**CANTILEVER SIGN STRUCTURES
STEEL WALKWAY DETAILS**

F.A.I.-55 AND U.S. RT.51
F.A.P.412
McLEAN COUNTY

DESIGNED	DRAWN	CHECKED	19
CHECKED	PLANNED	APPROVED	
DRAWN BY: M. J...			
CHECKED			

OSC-S-4-SPECIAL

5 C 057 U051 L006.90
5 C 057 U051 L007.30

FILE NAME =	USER NAME = ceerlockjd	DESIGNED - JAL	REVISED -
ct:\pwork\p\p\dot\ceerlockjd\0266557.D	46179-shr-detailed.dgn	DRAWN -	REVISED -
	PLOT SCALE = 48.0000 / in.	CHECKED -	REVISED -
	PLOT DATE = 9/21/2011	DATE - 04/26/11	REVISED -

STATE OF ILLINOIS
DEPARTMENT OF TRANSPORTATION

AS-BUILTS FOR INFORMATION ONLY			
SCALE:	SHEET NO. OF SHEETS	STA. TO STA.	

•VARIOUS COUNTIES ••D-5 OVD SIN STR REPL 2012-06				
F.A.I. RTE.	SECTION	COUNTY	TOTAL SHEETS	SHEET NO.
*	**	Various	178	162
CONTRACT NO. 46179				
(ILLINOIS) FED. AID PROJECT				