

* Center of horizontal to center of splice dimension may vary. Verify before drilling holes in mounting tube.

PLAN DETAIL "A"
Span between Panel Points

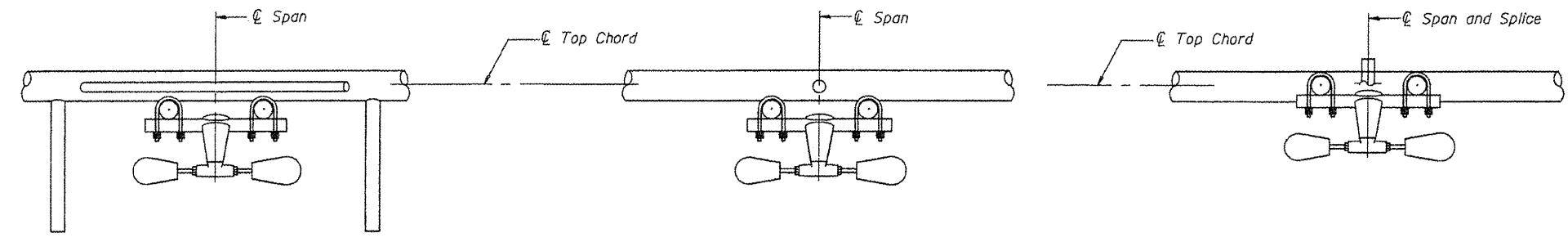
PLAN DETAIL "B"
Span at Panel Point

PLAN DETAIL "C"
Span at Chord Splice

NOTES

Damper: One damper per truss. (31 lbs. minimum Stockbridge-Type Aluminum - 29" minimum between ends of weights) Cost included in Overhead Sign Structure...

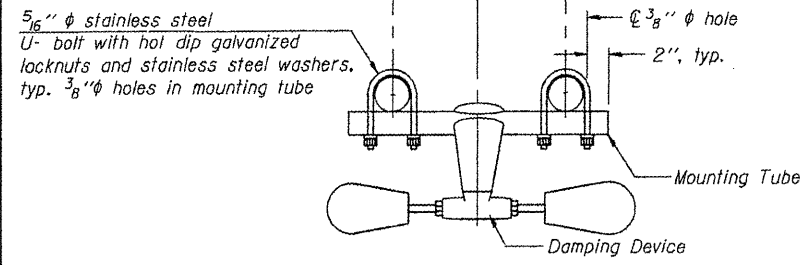
Materials: Materials: Aluminum tubes shall be ASTM B221 alloy 6061 temper T6. Cost included in Overhead Sign Structure...



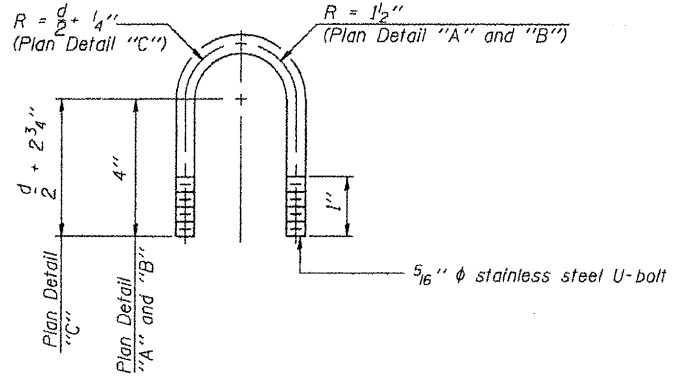
SECTION A-A

SECTION B-B

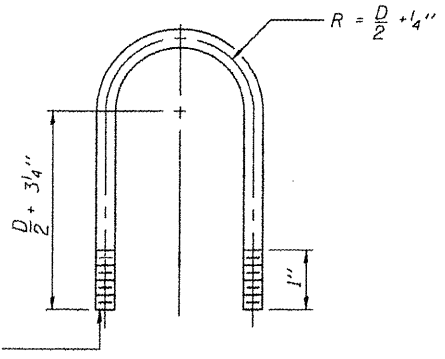
SECTION C-C



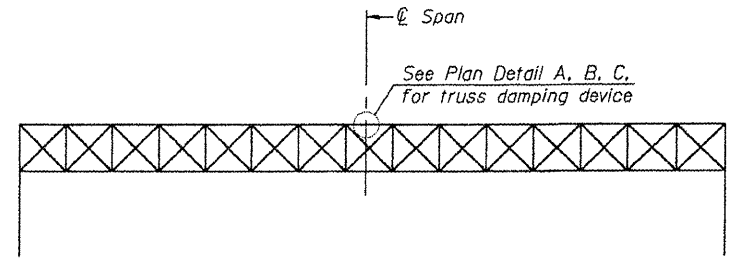
TRUSS DAMPING DEVICE CONNECTION DETAIL
(Typical)



DAMPING DEVICE MOUNTING TUBE U-BOLT DETAIL
(Typical)



TOP CHORD TO CROSS TUBE U-BOLT DETAIL
(Typical - Detail "A" and "B")



ELEVATION
Aluminum Overhead Sign Truss

OS-A-D

1-20-11

FILE NAME :	USER NAME : #USERS	DESIGNED -	REVISED -	STATE OF ILLINOIS DEPARTMENT OF TRANSPORTATION	OVERHEAD SIGN STRUCTURE DAMPING DEVICE			F.A. RTE.	SECTION	COUNTY	TOTAL SHEETS	SHEET NO.
#FILE#		DRAWN -	REVISED -		SCALE:	SHEET NO.	OF SHEETS	STA.	TO STA.		17	8
		CHECKED -	REVISED -		CONTRACT NO. 46194							
		DATE -	REVISED -		ILLINOIS FED. AID PROJECT							