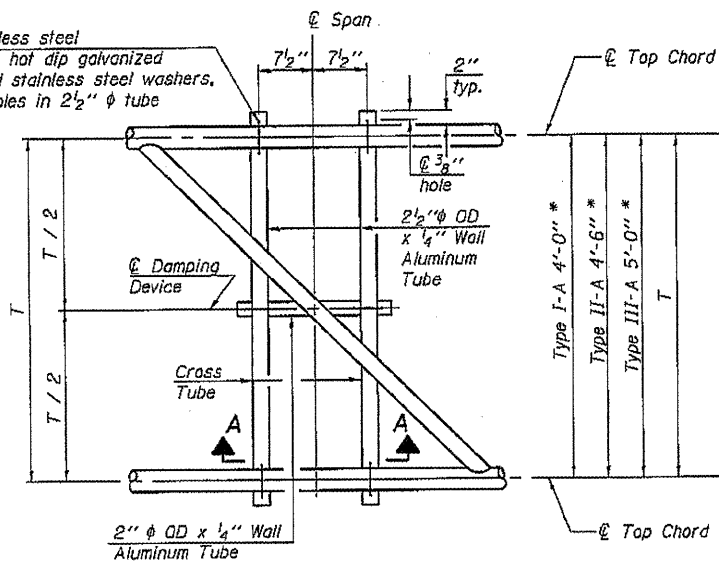
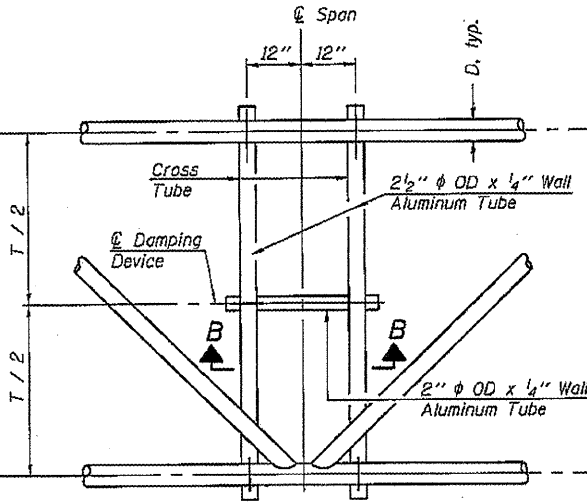


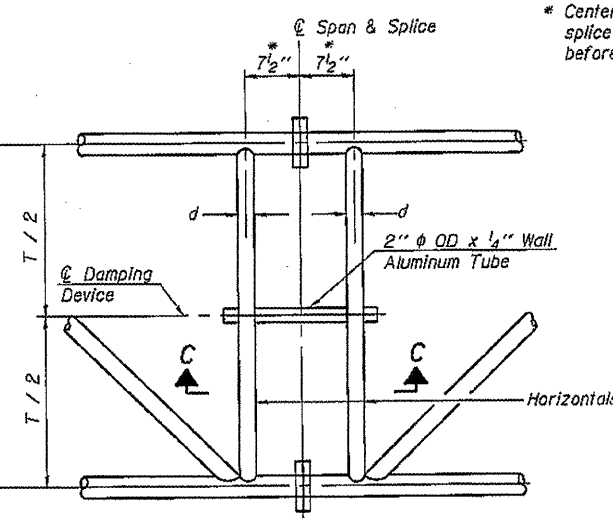
5/16" φ stainless steel
U-bolt with hot dip galvanized
locknuts and stainless steel washers,
typ. 3/8" φ holes in 2 1/2" φ tube



PLAN DETAIL "A"
Span between Panel Points



PLAN DETAIL "B"
Span at Panel Point



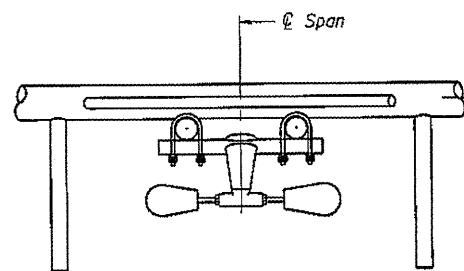
PLAN DETAIL "C"
Span at Chord Splice

* Center of horizontal to center of
splice dimension may vary. Verify
before drilling holes in mounting tube.

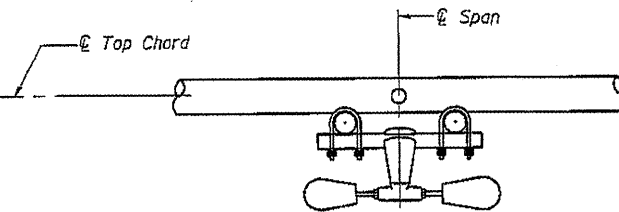
NOTES

Damper: One damper per truss. (31 lbs. minimum Stockbridge-Type Aluminum - 29" minimum between ends of weights) Cost included in Overhead Sign Structure...

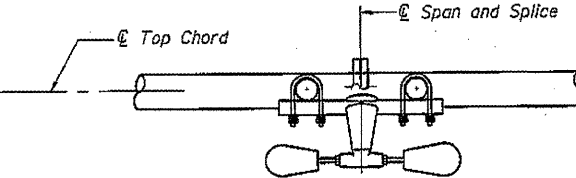
Materials: Materials: Aluminum tubes shall be ASTM B221 alloy 6061 temper T5. Cost included in Overhead Sign Structure...



SECTION A-A

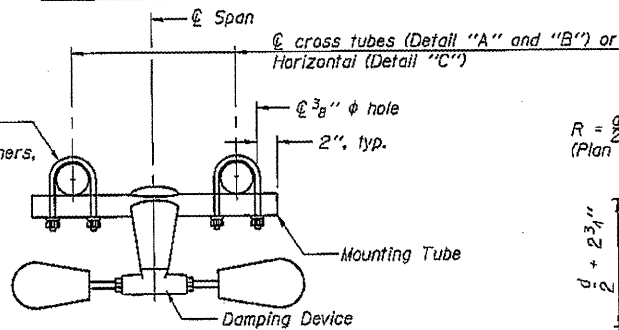


SECTION B-B

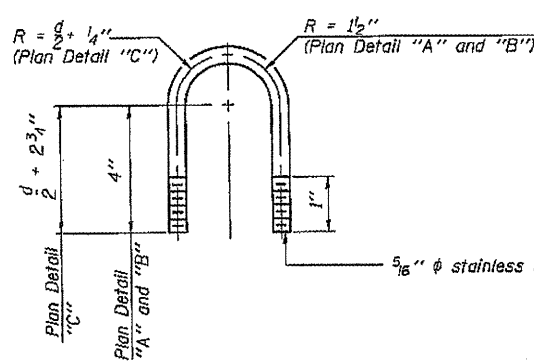


SECTION C-C

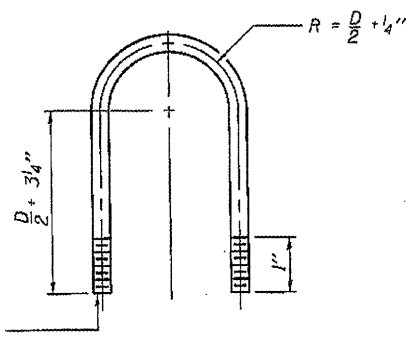
5/16" φ stainless steel
U-bolt with hot dip galvanized
locknuts and stainless steel washers,
typ. 3/8" φ holes in mounting tube



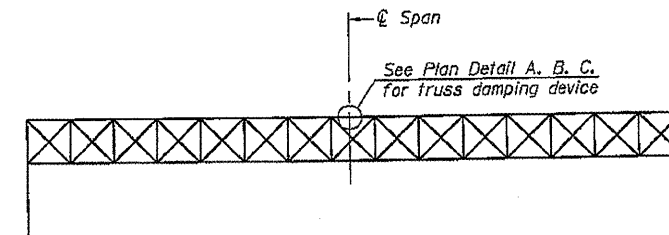
**TRUSS DAMPING
DEVICE CONNECTION DETAIL**
(Typical)



**DAMPING DEVICE MOUNTING
TUBE U-BOLT DETAIL**
(Typical)



**TOP CHORD TO CROSS TUBE
U-BOLT DETAIL**
(Typical - Detail "A" and "B")



ELEVATION
Aluminum Overhead
Sign Truss

OS-A-D 1-20-11

FILE NAME =	USER NAME = kailoujb	DESIGNED -	REVISED -
S:\Sign Truss Plan Details\46196\46196.dgn	Repl.dgn	DRAWN -	REVISED -
PLOT SCALE = 0.1801 ft / in.	CHECKED -	REVISED -	REVISED -
PLOT DATE = Sep-30-2011 10:26:58AM	DATE -	REVISED -	REVISED -

STATE OF ILLINOIS
DEPARTMENT OF TRANSPORTATION

OVERHEAD SIGN STRUCTURE			
DAMPING DEVICE			
SCALE:	SHEET NO. OF SHEETS	STA. TO STA.	

F.A. RT.	SECTION	COUNTY	TOTAL SHEETS	SHEET NO.
VAR	D-6_OVDSINSTRREL12-23	SANGAMON	33	10
CONTRACT NO. 46196			ILLINOIS FED. AID PROJECT	