

TYPICAL TRUSS UNIT

Note: For Section B-B and Section C-C, see Base Sheet OSC-A-3.

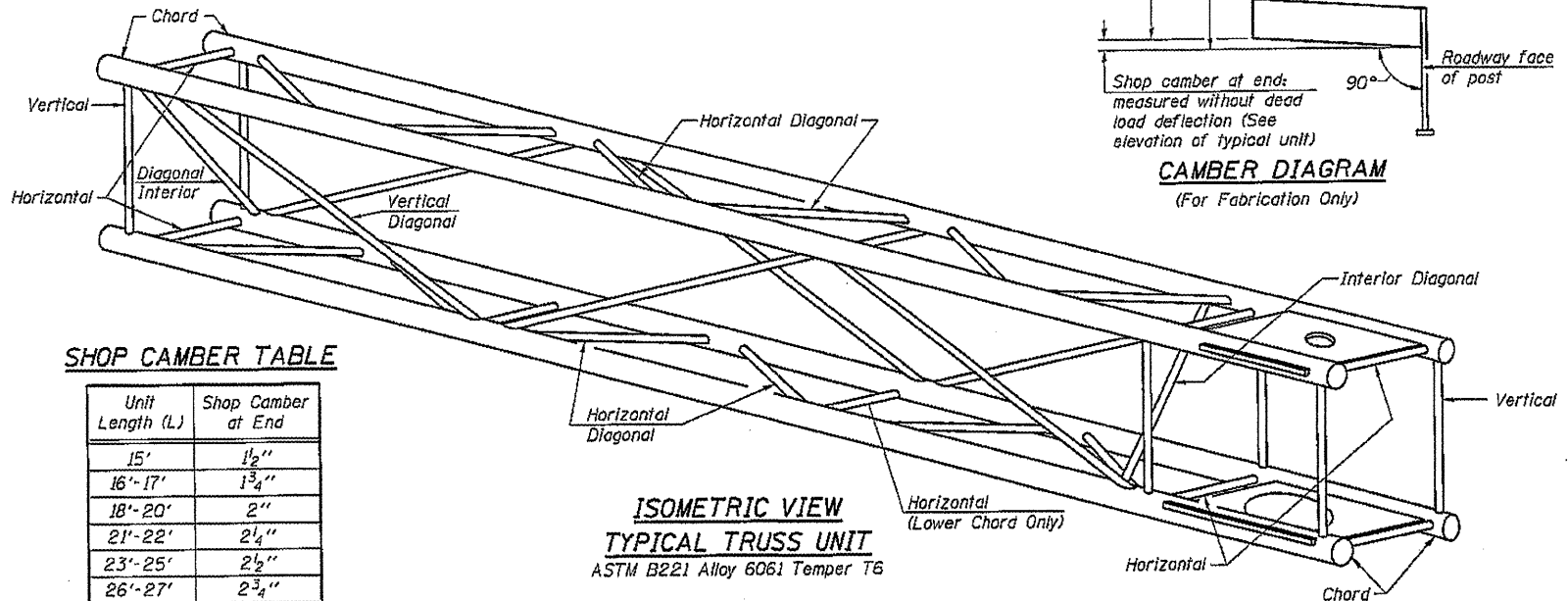
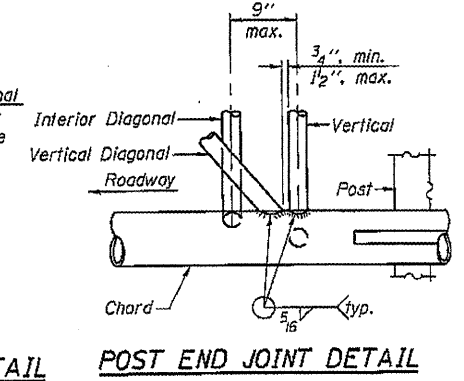
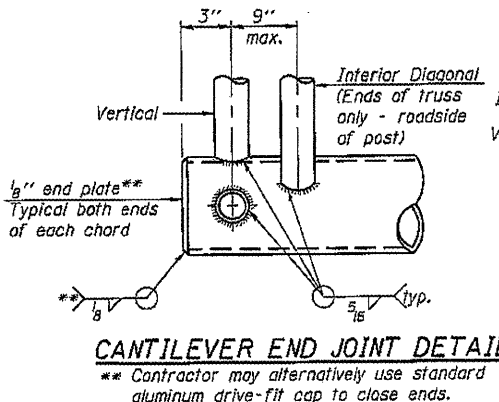
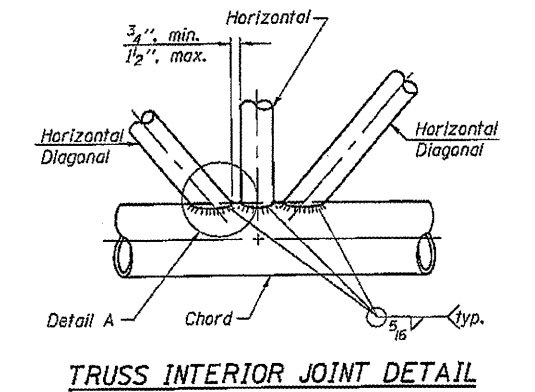
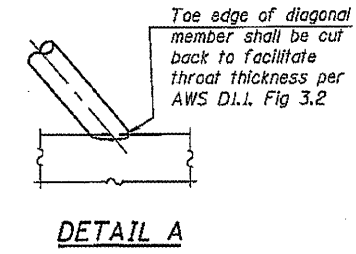
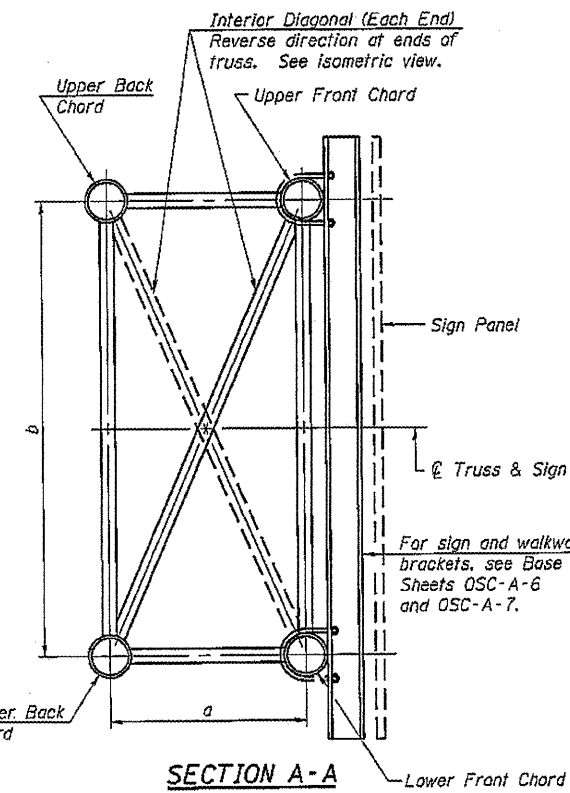
Note: There are twice as many horizontal diagonals as there are vertical diagonals.

TRUSS UNIT TABLE

Truss Type	Dimension "a"	Dimension "b"	Dimension "s"	Limits for Panel Spacing (P)*	Up. & Low. Chord		Verticals: Horizontals, Vertical, Horizontal, and Interior Diagonals	
					O.D.	Wall	O.D.	Wall
I-C-A	24"	54"	16"	36" min. to 48" max.	5"	5/16"	2 1/2"	5/16"
II-C-A	36"	66"	21"	42" min. to 54" max.	6 1/2"	5/16"	3 1/4"	5/16"
III-C-A (35' Max.)	36"	84"	21"	48" min. to 66" max.	7"	3/8"	3 1/2"	3/8"
III-C-A (>35' to 40')	36"	84"	21"	48" min. to 66" max.	8"	3/8"	3 1/2"	3/8"

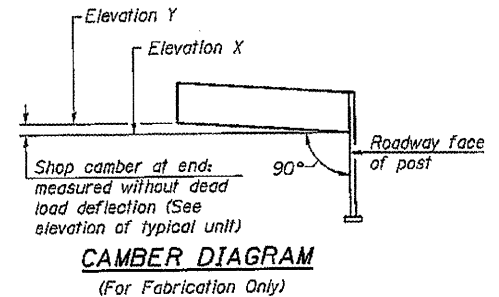
*P = $\frac{L-s-3''}{\# \text{ Panels}}$

Structure Number	Station	Truss Type	Design Length (L)	Number of Panels Per Unit	Panel Length (P)*
6C0841055L103.6	396+00	II-C-A	30'-0"	7	4'-0"
6C0841055L099.6	610+65	III-C-A	35'-0"	6	5'-6"
6C0841055L096.4	274+00	III-C-A	35'-0"	6	5'-6"
6C0841055R096.5	276+70	III-C-A	35'-0"	6	5'-6"



SHOP CAMBER TABLE

Unit Length (L)	Shop Camber at End
15'	1 1/2"
16'-17'	1 3/4"
18'-20'	2"
21'-22'	2 1/4"
23'-25'	2 1/2"
26'-27'	2 3/4"
28'-30'	3"
31'-32'	3 1/4"
33'-35'	3 1/2"
36'-37'	4"
38'-40'	4 1/2"



OSC-A-2 J-20-11

FILE NAME	USER NAME	DESIGNED	REVISED
Si\Sign Truss Plan Details\46196\46196.dgn	kallegjb	-	-
	Repl.dgn	DRAWN	REVISED
		CHECKED	REVISED
		DATE	REVISED

PLOT SCALE = 8:1800 ft / in.
PLOT DATE = Sep-30-2011 10:25:42AM

STATE OF ILLINOIS
DEPARTMENT OF TRANSPORTATION

CANTILEVER SIGN STRUCTURES - TRUSS DETAILS
ALUMINUM TRUSS & STEEL POST

SCALE: _____ SHEET NO. _____ OF _____ SHEETS STA. _____ TO STA. _____

F.A. RTE.	SECTION	COUNTY	TOTAL SHEETS	SHEET NO.
Y&B	D-6_OVDOSINSIBBEL12-23	SANGAMON	33	17

CONTRACT NO. 46196
ILLINOIS FED. AID PROJECT