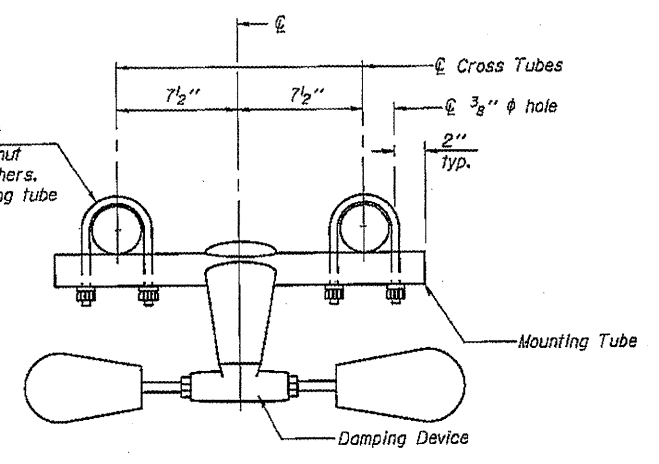
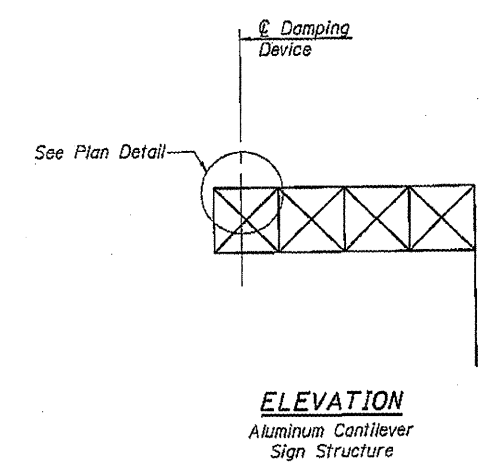


**PLAN DETAIL**

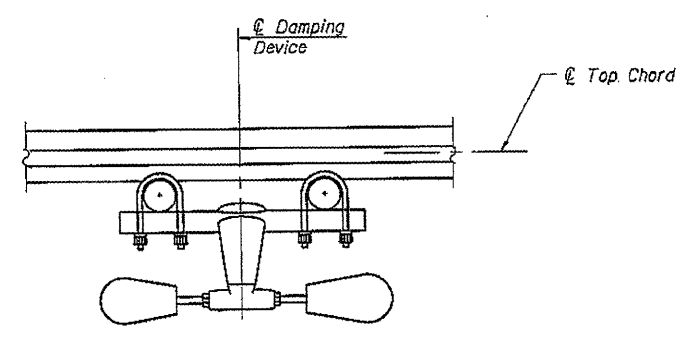


**TRUSS DAMPING DEVICE CONNECTION DETAIL**

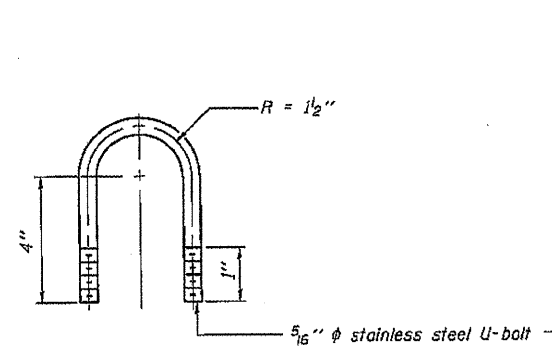


**ELEVATION**  
Aluminum Cantilever Sign Structure

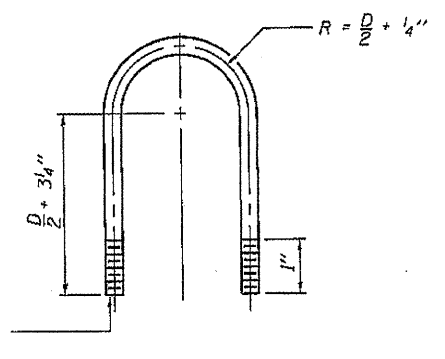
**GENERAL NOTES**  
 Damper: One damper per truss. (3 lbs. Stockbridge-Type Aluminum-29" minimum between ends of weights)  
 Materials: Aluminum tubes shall be ASTM B221 alloy 6061 temper T6



**SECTION A-A**



**DAMPING DEVICE MOUNTING TUBE U-BOLT DETAIL**  
(Typical)



**TOP CHORD TO CROSS TUBE U-BOLT DETAIL**  
(Typical)

FILE NAME =		USER NAME = kelleyjh	DESIGNED -	REVISED -	<b>STATE OF ILLINOIS DEPARTMENT OF TRANSPORTATION</b>	<b>CANTILEVER SIGN STRUCTURE</b>		F.A. SECTION COUNTY TOTAL SHEETS SHEET NO.
S:\Sign Truss Plan Details\46196\46196.dgn		DRAWN -	REVISED -	SCALE: _____ SHEET NO. _____ OF _____ SHEETS STA. _____ TO STA. _____		<b>DAMPING DEVICE</b>		VAR 0-6_OVD5INSIBREPL12-23 SANGAMON 33 19
PLOT SCALE = 0.1888 ft / in.		CHECKED -	REVISED -	ILLINOIS FED. AID PROJECT		CONTRACT NO. 46196		
PLOT DATE = Sep-30-2011 10:30:26AM		DATE -	REVISED -					

OSC-A-D 1-20-11