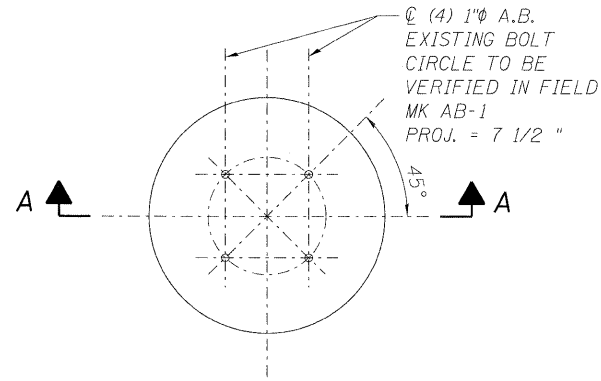
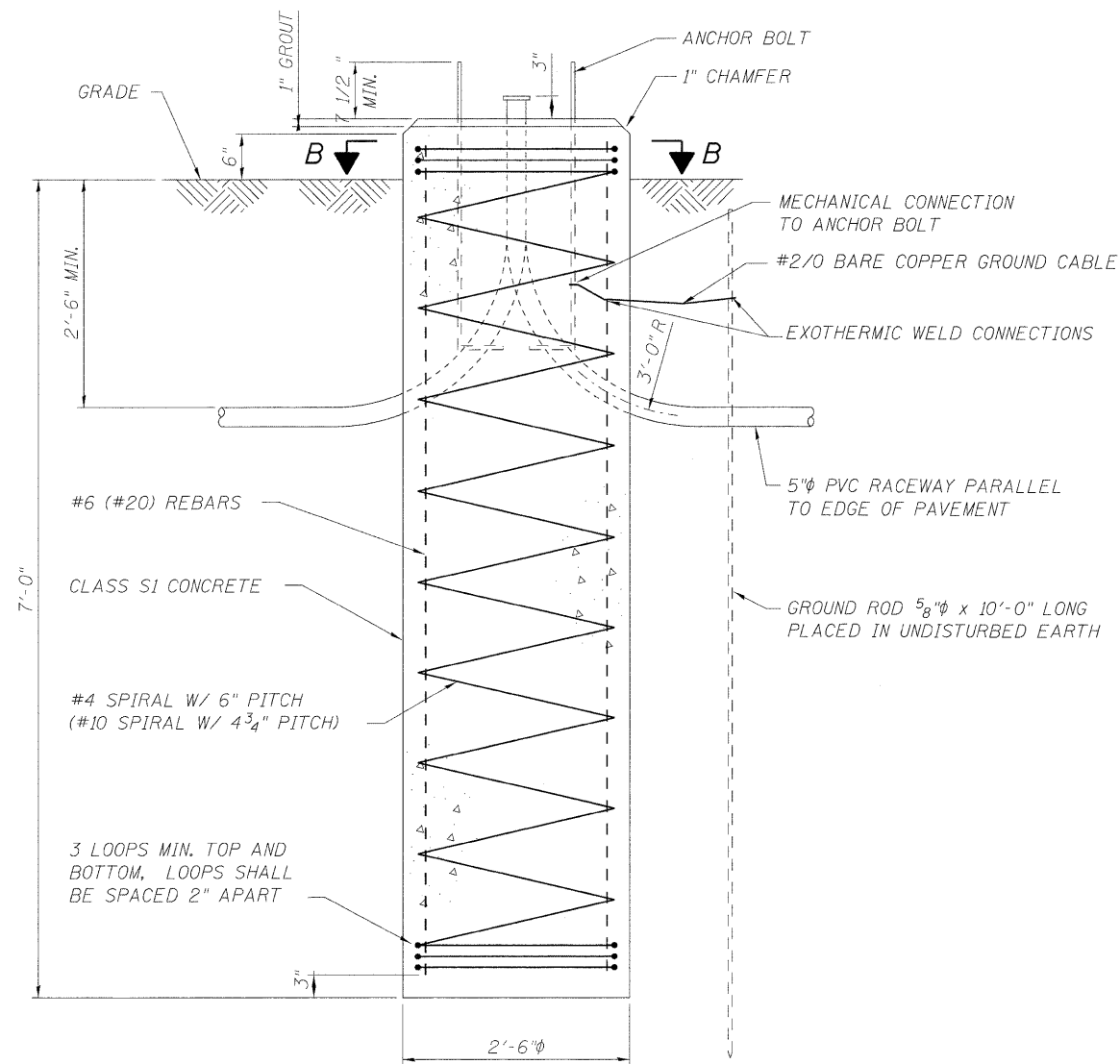


SECTION "B-B"



STANDARD LIGHTING POLE FOUNDATION PLAN



STANDARD SECTION "A-A"

FOR USE WITH ALL POLES EXCEPT AS NOTED
A2, A3, B2, C2, D1, D2, E2, F2, G2, & H2

GENERAL NOTES / TEMPORARY LIGHTING

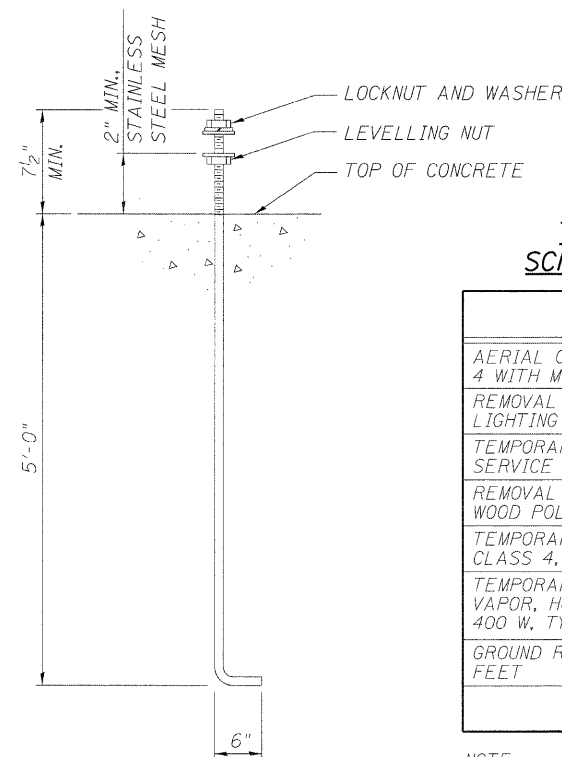
1. TEMPORARY LUMINAIRE, SODIUM VAPOR, 400 WATT, 240V, HORIZONTAL-MOUNT, PHOTO-CELL, TYPE II DISTRIBUTION.
2. TEMPORARY POLES SHALL BE 60 FEET UNLESS OTHERWISE NOTED.
3. ALL WORK SHALL CONFORM TO THE NATIONAL ELECTRICAL CODE AND ANY APPLICABLE STATE AND LOCAL CODES.
4. THE CONTRACTOR IS TO VERIFY THE LOCATIONS OF ALL UNDERGROUND UTILITIES BEFORE BEGINNING ANY TRENCHING OR AUGERING OPERATIONS.
5. PRIOR TO INSTALLING WOOD POLES NEAR ANY EXISTING OVERHEAD ELECTRICAL FACILITIES, THE CONTRACTOR IS TO NOTIFY COMED OF THE WORK IN PROGRESS, AND OBTAIN COMED'S APPROVAL OF LOCATION.
6. FOR LOCATION OF ANY UNDERGROUND ELECTRICAL FACILITIES, THE CONTRACTOR IS TO NOTIFY COMED OF THE WORK IN PROGRESS, AND OBTAIN COMED'S APPROVAL OF LOCATION.
7. ALL ELECTRICAL CONDUITS ARE TO BE TWO AND ONE HALF INCHES IN DIAMETER, UNLESS OTHERWISE NOTED ON THE PLANS.
8. THE CONTRACTOR SHALL TAKE ALL NECESSARY MEASURES TO RESTORE ANY SPECIALIZED LANDSCAPING, (i.e. DECORATIVE ROCKS, SHRUBS, PLANTS, SOUNDWALLS, ETC.) OR SHALL REPLACE IT, WITH THE COSTS SHALL BE CONSIDERED INCIDENTAL TO THIS CONTRACT.
9. ALL SPLICES SHALL OCCUR IN POLES OR IN ABOVE GROUND JUNCTION BOXES.
10. TEMPORARY LIGHTING TO BE REMOVED AS DIRECTED BY IDOT WHEN ROADWAY CONSTRUCTION IS COMPLETE.

RECOMMENDED CONSTRUCTION SEQUENCE

1. CONTRACTOR TO MAINTAIN THE EXISTING LIGHTING OPERATION DURING CONSTRUCTION.
2. POWER IS TO BE CUT TO THE LIGHT POLE TO BE REMOVED.
3. INSTALL TEMPORARY WOOD POLE W/ 400W, 240V HORIZONTAL MOUNT MCII HIGH PRESSURE SODIUM FIXTURE, WITH PHOTOCCELL.
4. MAINTAIN TEMPORARY LIGHTING DURING CONSTRUCTION.
5. THE EXISTING LIGHT POLE IS TO BE REMOVED AND STORED SAFELY UNTIL SUCH TIME THE EXISTING POLE CAN BE RE-ERECTED.
6. EXISTING LIGHT POLE FOUNDATION IS TO BE REMOVED WHILE PROTECTING THE EXISTING ELECTRICAL CABLE FOR LATER USE.
7. CULVERT AND EMBANKMENT WORK IS TO BE COMPLETED. SEE STRUCTURAL SHEETS FOR RECOMMENDED CONSTRUCTION SEQUENCE.
8. NEW LIGHT POLE FOUNDATION IS TO BE INSTALLED AND EXISTING ELECTRICAL CABLE INSTALLED THROUGH THE NEW FOUNDATION CONDUIT SYSTEM. GROUND ROD TO BE INSTALLED.
9. EXISTING LIGHT POLE TO BE RE-ERECTED AND BOLTED INTO THE TOP OF THE NEW FOUNDATION.
10. RECONNECT ELECTRICAL CABLES AND RE-ESTABLISH INTEGRATION WITH EXISTING LIGHTING SYSTEM. THE SPLICES TO RECONNECT THE CIRCUIT FOR THE RE-ERECTED LIGHT POLE WILL NOT BE PAID FOR SEPARATELY, BUT SHALL BE INCLUDED IN THE COST FOR REMOVE AND RE-ERECT EXISTING LIGHTIN UNIT.
11. REMOVE TEMPORARY LIGHTING SYSTEM.

NOTES:

1. CONTRACTOR SHALL VERIFY ALL EXISTING FIELD CONDITIONS AND IMMEDIATELY REPORT ANY DISCREPANCIES TO IDOT.
2. CONCRETE SHALL HAVE A MINIMUM COMPRESSIVE STRENGTH OF 3,500 PSI AT 14 DAYS.
3. REINFORCING STEEL BARS SHALL BE OF NEW BILLET STEEL AND SHALL CONFORM TO ASTM A615, GRADE 60.
4. ANCHOR BOLTS SHALL CONFORM TO ASTM A687 PER STD. 1085.10.
5. THE CONTRACTOR MAY USE #4 (#10) SPIRAL AT 4 3/4" PITCH.
6. THE ANCHOR BOLTS AND RACEWAYS SHALL BE PROPERLY SECURED IN PLACE BEFORE THE CONCRETE IS PLACED IN THE FORM.
7. THE ENTIRE LENGTH OF THE ANCHOR BOLTS AS WELL AS THE NUTS AND WASHERS SHALL BE HOT DIP GALVANIZED IN ACCORDANCE WITH THE REQUIREMENTS OF ASTM DESIGNATION A153.
8. CONCRETE SHALL BE CLASS "SI". CONCRETE FOUNDATION MUST BE CURED FOR (10) DAYS BEFORE THE LIGHT POLE IS ERECTED.
9. THE CABLE TRENCH SHALL BE BACKFILLED AND FIRMLY COMPACTED BEFORE THE ROADWAY LIGHTING POLE IS ERECTED.
10. RACEWAYS SHALL PROJECT 3" ABOVE THE TOP OF THE FOUNDATION.
11. THE FOUNDATION IS DESIGNED FOR AN AVERAGE COMPRESSIVE STRENGTH OF SOIL (Qu) OF 2000 PSF. THIS STRENGTH SHALL BE VERIFIED BY BORING DATA PRIOR TO CONSTRUCTION OR WITH TESTING BY THE ENGINEER DURING FOUNDATION DRILLING.



1" ANCHOR BOLT DETAIL

TEMPORARY LIGHTING SCHEDULE OF QUANTITIES

ITEM	UNIT	TOTAL
AERIAL CABLE, 2-1/8 NO. 4 WITH MESSENGER WIRE	FOOT	512
REMOVAL OF TEMPORARY LIGHTING UNITS	EACH	2
TEMPORARY ELECTRIC SERVICE CONNECTION	EACH	1
REMOVAL OF TEMPORARY WOOD POLE, SALVAGE	EACH	2
TEMPORARY WOOD POLE, 60 FT. CLASS 4, 20 FT. MAST ARM	EACH	2
TEMPORARY LUMINAIRE, SODIUM VAPOR, HORIZONTAL MOUNT, 400 W, TYPE II DISTRIBUTION	EACH	2
GROUND ROD, 5/8" DIA, X 10 FEET	EACH	2

NOTE:
THIS WORK SHOWN IS FOR ESTIMATING PURPOSES ONLY. ALL TEMPORARY LIGHTING ITEMS WILL NOT BE PAID FOR SEPARATELY, BUT WILL BE INCLUDED IN "TEMPORARY LIGHTING".