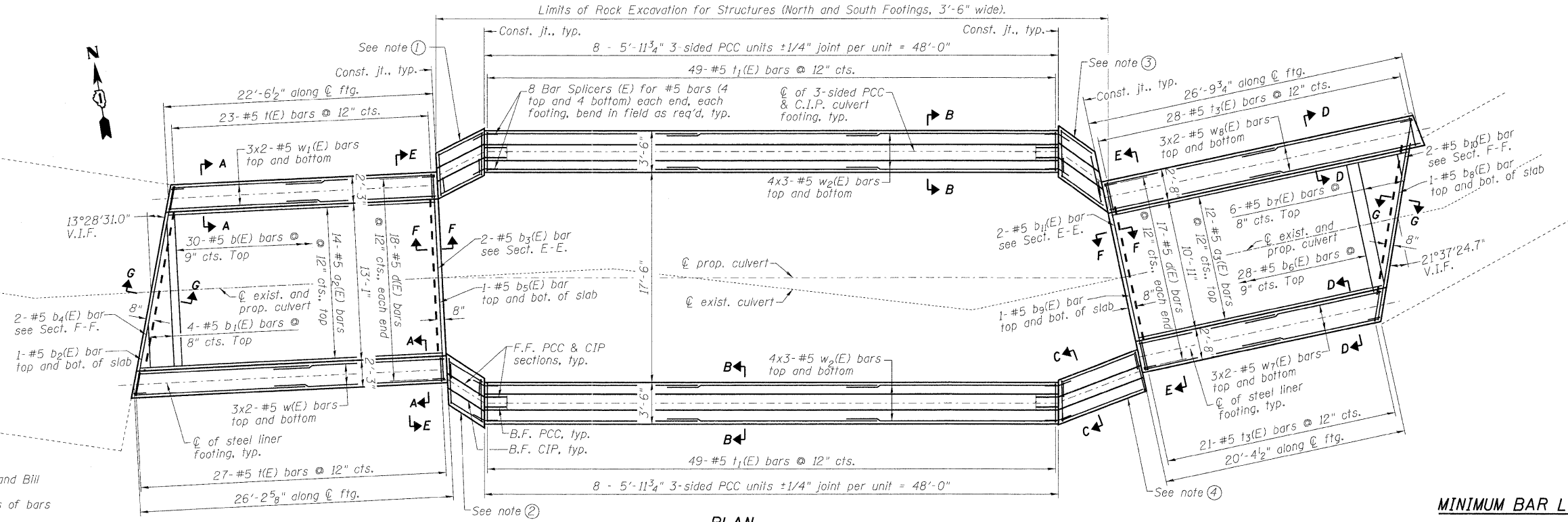


- Note:
- 4'-5 1/2" along C of footing
4-#5 w₃(E) bars top and bot.
5-#5 t₂(E) bars @ 12" cts.
9-#6 n(E) bars @ 6" cts.
 - 3'-8 1/4" along C of footing
4-#5 w₄(E) bars top and bot.
5-#5 t₂(E) bars @ 12" cts.
8-#6 n(E) bars @ 6" cts.
 - 4'-5" along C of footing
4-#5 w₅(E) bars top and bot.
5-#5 t₂(E) bars @ 12" cts.
9-#6 n(E) bars @ 6" cts.
 - 7'-6" along C of footing
4-#5 w₆(E) bars top and bot.
8-#5 t₂(E) bars @ 12" cts.
15-#6 n(E) bars @ 6" cts.

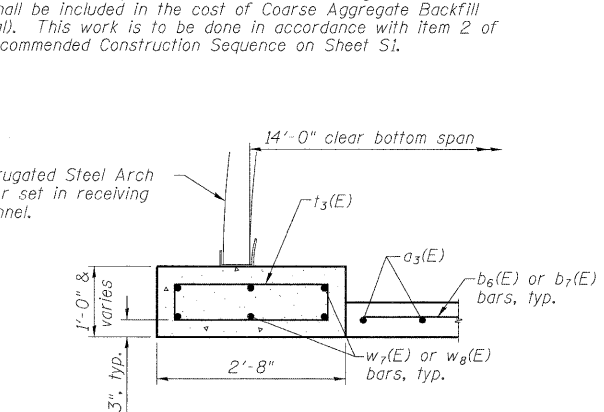
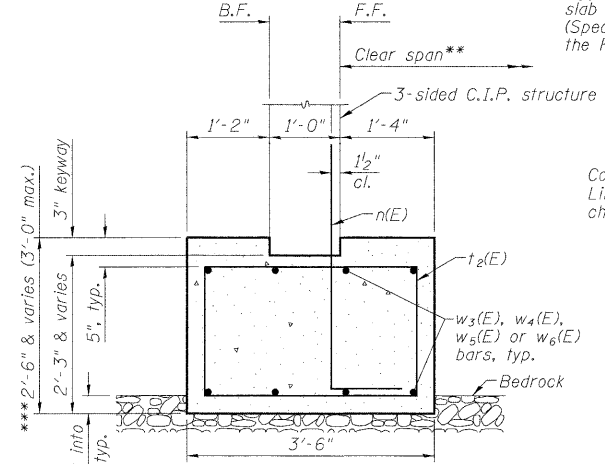
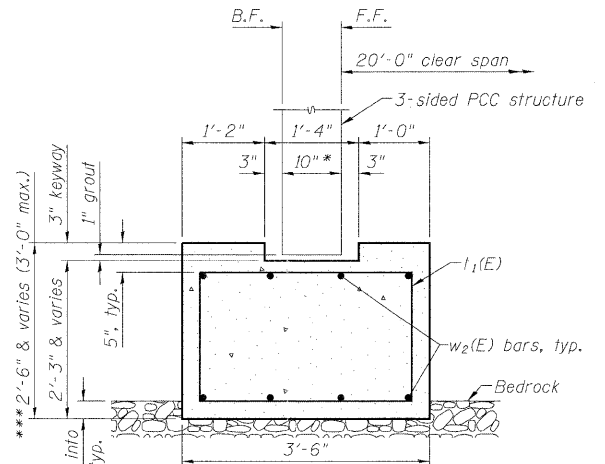
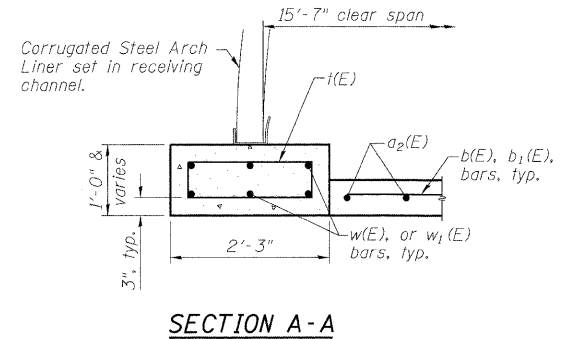
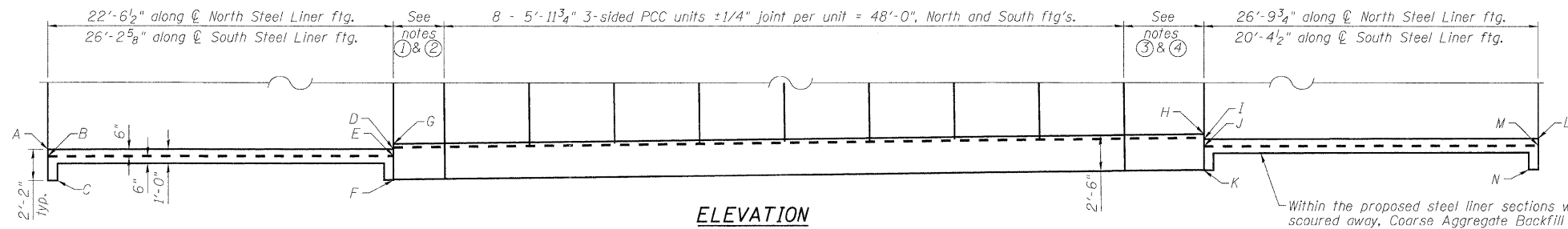


NOTES

See sht. S4 of S11 for Sections E-E, F-F & G-G and Bill of Material.
 Bars indicated thus 4 x 3-#5 etc. indicates 4 lines of bars with 3 lengths per line.
 See sht. S9 of S11 for Bar Splicer Details.
 Section C-C is typ. for both footings, both ends.
 The Contractor shall be responsible for diverting the water in order to place the footings for the steel liner. This work shall not be paid for separately, but shall be included in the cost of Three-Sided Precast Concrete Structures, 20' x 10'. See Three-Sided Precast Concrete Structure Special Provision for more details regarding the water diversion.
 Class A4 Riprap shall be placed within the 3-sided CIP and PCC structure. Top of riprap shall match the top of concrete slab at both ends, and connected in a straight chord.
 Footings for the 3-sided CIP & PCC structures and concrete cut off walls shall be socketed into bedrock 3" min.
 The maximum applied service bearing pressure under the footings is as follows: West footing = 5.02 ksf, Central footing = 5.33 ksf and East footing = 4.08 ksf.

ELEVATION TABLE

Mark	Elevation	Description
A	581.56	Top of steel liner ftg
B	581.06	Top of concrete slab
C	579.39	Bot of conc cutoff wall
D	581.63	Top of steel liner ftg
E	581.13	Top of concrete slab & riprap
F	579.46	Bot of wall & 3-sided ftg
G	581.98	Top of 3-sided structure ftg
H	582.65	Top of 3-sided structure ftg
I	582.30	Top of steel liner ftg
J	581.80	Top of concrete slab & riprap
K	580.13	Bot of wall & 3-sided ftg
L	582.36	Top of steel liner ftg
M	581.86	Top of concrete slab
N	580.20	Bot of conc cutoff wall



*** If the proposed footings for the 3-sided & CIP structures needs to be more than 3' thick in order to socket the footings into bedrock, then the Contractor shall have the footings and reinforcement redesigned for the taller footings. This work shall not be paid for separately, but shall be included in the cost of Concrete Structures. The Contractor shall submit three sets of design calculations and shop drawings to the Engineer for review. The calculations and shop drawings shall be sealed by an Illinois Licensed Structural Engineer.

SECTION B-B

*Wall thickness may vary as per manufacturer's design.

SECTION C-C

**Clear span varies from 16'-20' on west side and from 15'-20' on east side transitions.

SECTION D-D

Note:
C of arch leg to be offset from C of ftg. by 2 1/2" to the outside of the footing.

MINIMUM BAR LAPS

#5 = 2'-7"

LEGEND

B.F. = Back Face
F.F. = Front Face