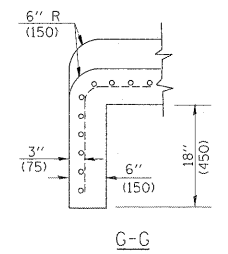
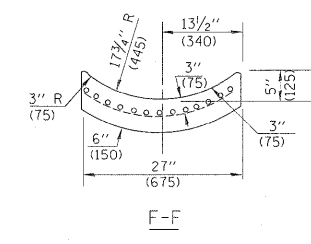
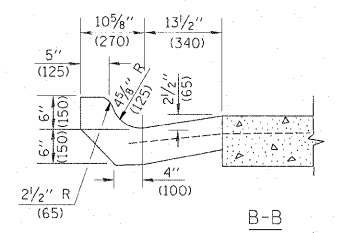
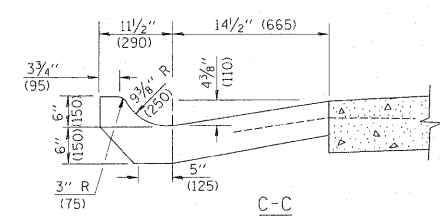
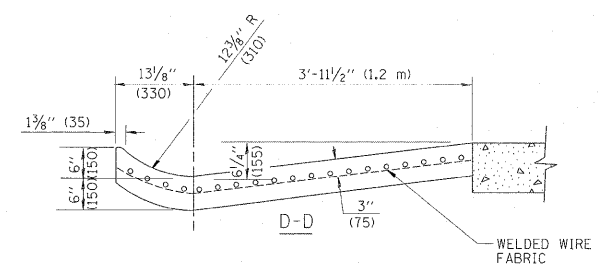
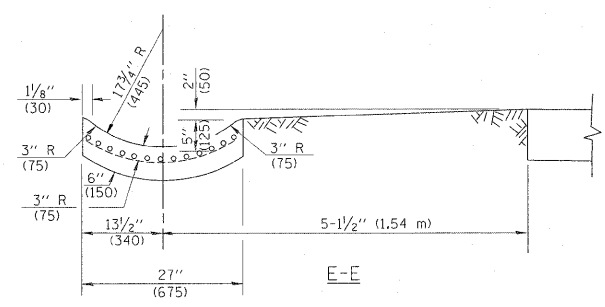


A-A *

* DIMENSIONS OF THE CURB & GUTTER AT SECTION A-A ARE SHOWN ON STATE STANDARD 606001. FOR DETAILS OF OUTLET FOR CONCRETE CURB & GUTTER, TYPE B-6.24 (B-15.60) SEE STATE STANDARD 606006.



GENERAL NOTES

GUTTER OUTLET SHALL BE TIED TO THE PAVEMENT IN ACCORDANCE WITH DETAILS FOR LONGITUDINAL CONSTRUCTION JOINT SHOWN ON STANDARD 420001.

TIE BARS SHALL BE NO. 20 (NO.6) AT 24" (600) CENTERS UNLESS OTHERWISE SHOWN.

IF THE AVERAGE GRADE OF PAVEMENT FOR THE DISTANCE FROM SECTION A-A TO D-D EXCEEDS 2%, THIS DISTANCE SHALL BE INCREASED 6' (1.8 m) FOR EACH 1% INCREASE IN GRADE.

QUANTITIES

FOR SECTION A-A TO E-E AND CURTAIN WALL = 1.25 CU. YDS. (0.96 m³) CLASS SI CONCRETE (OUTLET) FOR 9" (225) PAV'T. 1.27 CU. YDS. (0.96 m³) CLASS SI CONCRETE (OUTLET) FOR 10" (250) PAV'T. FOR SECTION F-F = 0.045 CU. YDS. (0.03 m³) CLASS SI CONCRETE PER FT. (m).

ALL DIMENSIONS ARE IN INCHES (MILLIMETERS) UNLESS OTHERWISE SHOWN.

FILE NAME =	USER NAME = galbanjr	DESIGNED - M. DE YONG	REVISED - R. SHAH 09-09-94	STATE OF ILLINOIS DEPARTMENT OF TRANSPORTATION	OUTLET FOR CONCRETE CURB AND GUTTER			F.A.P. RTE. 333	SECTION 15-N-6	COUNTY MCHENRY	TOTAL SHEETS 67	SHEET NO. 48
ct:\pw_work\pwidot\galbanjr\d0107803\Dist	td.dgn	DRAWN -	REVISED - R. SHAH 10-25-94		SCALE: NONE	SHEET NO. 1 OF 1 SHEETS	STA. TO STA.	FED. ROAD DIST. NO. 1 ILLINOIS FED. AID PROJECT				
		PLOT SCALE = 50.0000' / in.	CHECKED -		REVISED - E. GOMEZ 12-21-00	BD600-01 (BD-03) CONTRACT NO. 60L27						
		PLOT DATE = 10/1/2011	DATE - 08-04-86		REVISED -							