

NOTE:  
 ONLY TWO (2) TOTAL SOUTHBOUND LANES FROM:  
 STA. 487+00 TO STA. 488+10.

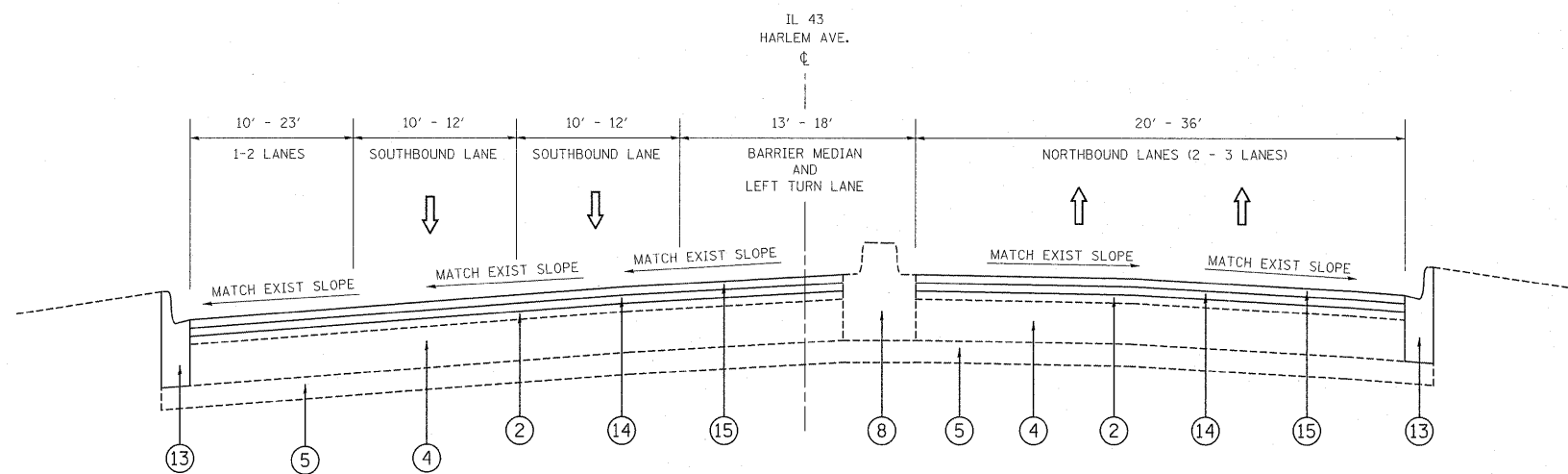
EXISTING TYPICAL SECTION  
 IL RTE. 43 (HARLEM AVE.)  
 STA. 73+00 TO STA. 95+00  
 STA. 185+97 TO STA. 190+11  
 STA. 483+00 TO STA. 488+10

MEDIAN NOTES:  
 BARRIER MEDIAN WITH 4" P.C.C. MEDIAN SURFACE FROM:  
 STA. 84+00 TO STA. 95+00  
 STA. 483+00 TO STA. 488+10

PAINTED MEDIAN FROM:  
 STA. 186+81 TO STA. 190+11

**LEGEND:**

- ① EXISTING HMA SURFACE (VARIES FROM 2-1/2" TO 6")
- ② EXISTING HMA SURFACE AFTER MILLING (VARIES FROM 0" TO 3-1/2")
- ③ OMITTED
- ④ EXISTING P.C.C. BASE COURSE (VARIES FROM 5-1/4" TO 12-5/8")
- ⑤ EXISTING SUB-BASE GRANULAR MATERIAL
- ⑥ EXISTING COMB. CONC. CURB & GUTTER, TYPE B OR TYPE B-6.12
- ⑦ EXISTING CONCRETE MEDIAN SURFACE, 4"
- ⑧ EXISTING CONCRETE MEDIAN, TYPE S B-6.12
- ⑨ EXISTING P.C.C. CORRUGATED MEDIAN
- ⑩ PROPOSED HMA SURFACE REMOVAL, 2-1/2"
- ⑪ OMITTED
- ⑫ PROPOSED MEDIAN REMOVAL, PARTIAL DEPTH
- ⑬ PROPOSED COMB. CONC. CURB AND GUTTER REMOVAL AND REPLACEMENT
- ⑭ PROPOSED POLYMERIZED LEVELING BINDER (MACHINE METHOD), IL-4.75, N50, 3/4"
- ⑮ PROPOSED POLYMERIZED HMA SURFACE COURSE, MIX "F", N90, 1-3/4"



NOTE:  
 ONLY TWO (2) TOTAL SOUTHBOUND LANES FROM:  
 STA. 487+00 TO STA. 488+10.

PROPOSED TYPICAL SECTION  
 IL RTE. 43 (HARLEM AVE.)  
 STA. 73+00 TO STA. 95+00  
 STA. 185+97 TO STA. 190+11  
 STA. 483+00 TO STA. 488+10

MEDIAN NOTES:  
 BARRIER MEDIAN WITH 4" P.C.C. MEDIAN SURFACE FROM:  
 STA. 84+00 TO STA. 95+00  
 STA. 483+00 TO STA. 488+10

PAINTED MEDIAN FROM:  
 STA. 186+81 TO STA. 190+11

Rev. 1-5-12

FILE NAME = ci:\pw_work\pwsdot\becker\com\d0245514\DI15311-sht-plan.dgn 12-5-2011	USER NAME = becker.com	DESIGNED -	REVISED -	<b>STATE OF ILLINOIS DEPARTMENT OF TRANSPORTATION</b>	<b>IL RTE. 43 (HARLEM AVE.) - (26TH ST. TO CULLOM AVE.) EXISTING AND PROPOSED TYPICAL SECTIONS</b>	F.A.P. RTE. 348	SECTION 2010-090-RS	COUNTY COOK	TOTAL SHEETS 55	SHEET NO. 5
	PLOT SCALE = 50.0000' / in.	CHECKED -	REVISED -			SCALE:	SHEET NO. OF SHEETS	STA. TO STA.	CONTRACT NO. 60L86	
PLOT DATE = 11/19/2011	DATE -	REVISED -	REVISED -							