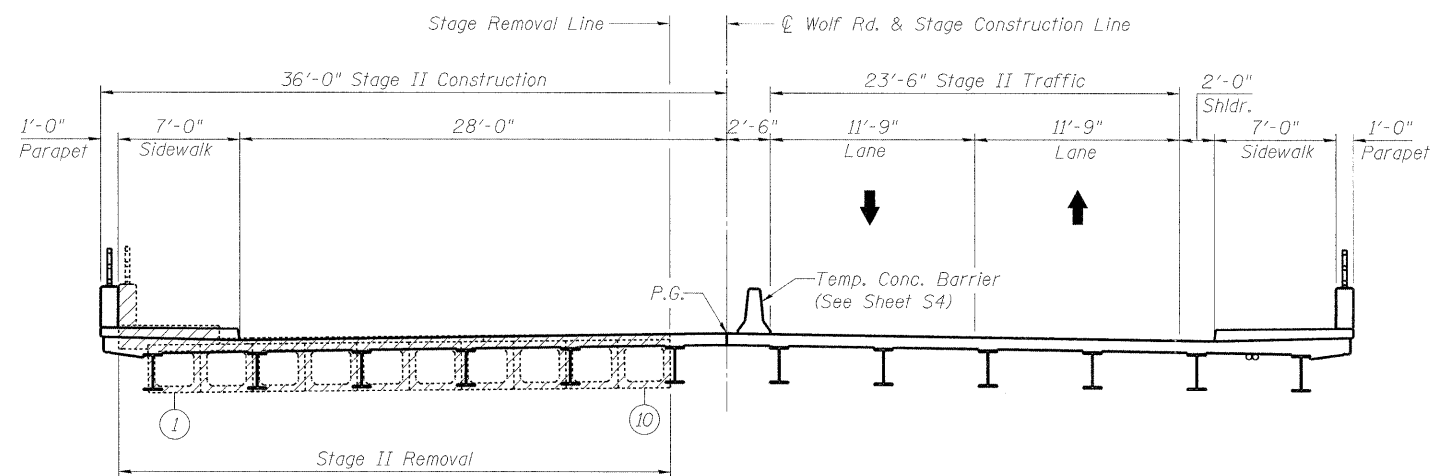


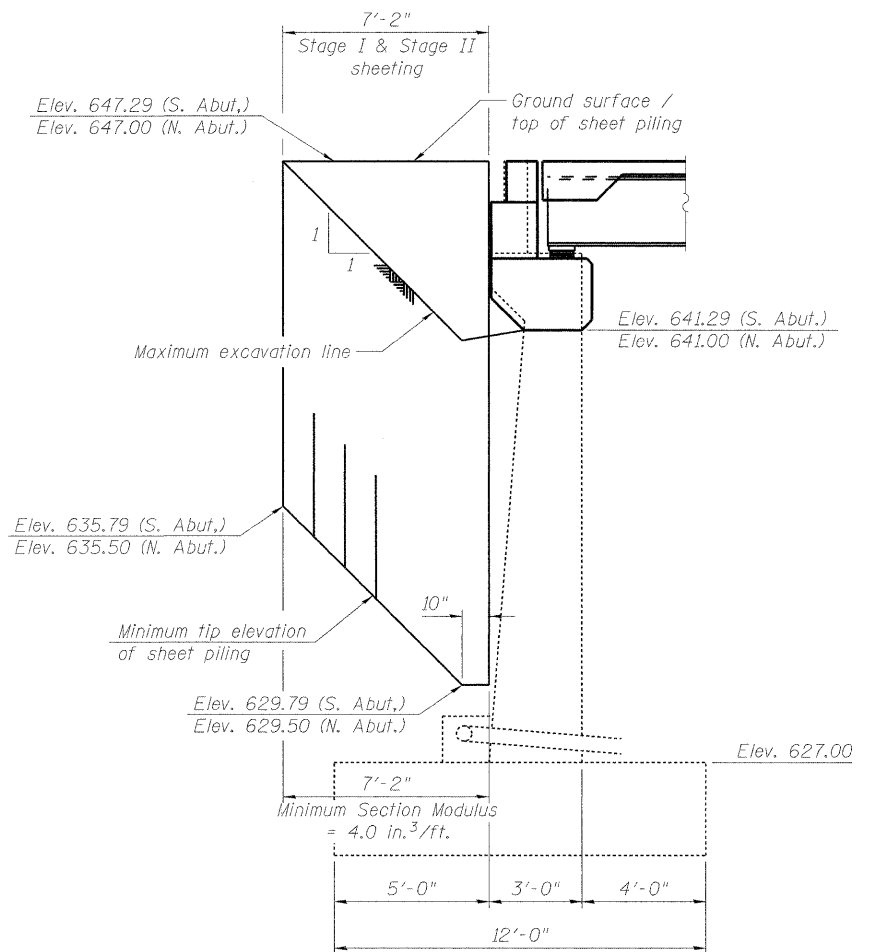
**STAGE I CROSS SECTION**  
(Looking North)



**STAGE II CROSS SECTION**  
(Looking North)

(X) Existing PPC Deck Beam number

Note:  
Asbestos Bearing Pad Removal required at existing PPC Deck  
Beam numbers 4 thru 10 and 13 thru 19.



**TEMPORARY SHEET PILING**

If the Contractor chooses to alter the temporary cantilevered sheet piling design requirements shown on the plans, a design submittal including plan details and calculations will be required for review and acceptance by the Engineer.

FILE NAME = g:\projects\112102155.dwg USER = 2sayerb



USER NAME = 2sayerb  
PLOT SCALE = N/A  
PLOT DATE = 12/5/2011

DESIGNED - BPS  
CHECKED - BHS  
DRAWN - BPS  
CHECKED - BHS

REVISED -  
REVISED -  
REVISED -  
REVISED -

STATE OF ILLINOIS  
DEPARTMENT OF TRANSPORTATION

STAGE CONSTRUCTION DETAILS  
S.N. 016-0680

SHEET NO. S3 OF 29 SHEETS

F.A.U. RTE.	SECTION	COUNTY	TOTAL SHEETS	SHEET NO.
2692	1415B-1	COOK	72	38
CONTRACT NO. 60M52			ILLINOIS FED. AID PROJECT	