

WEST EDGE OF PAVEMENT

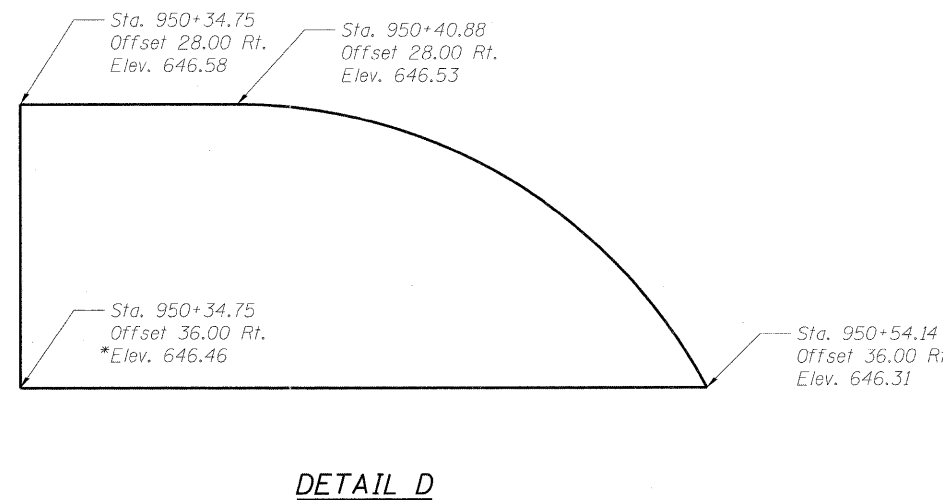
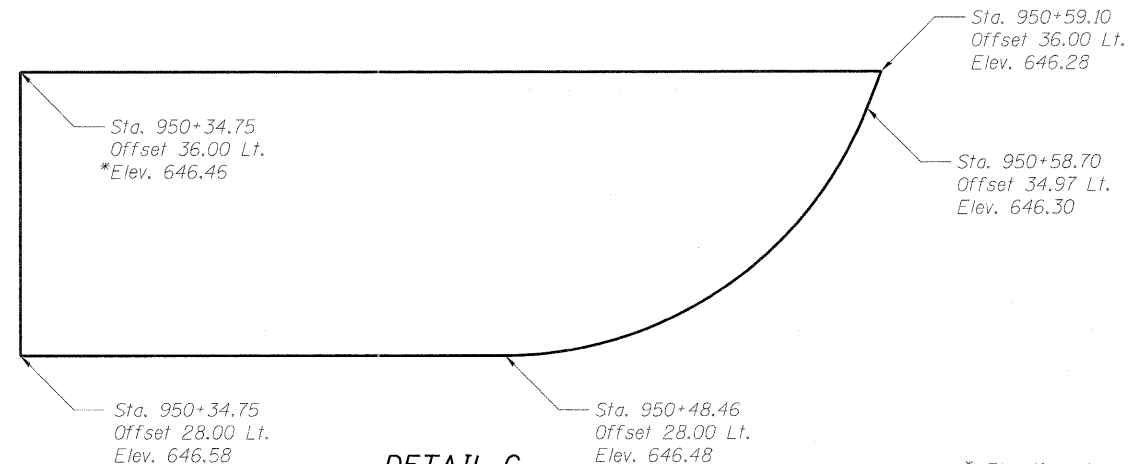
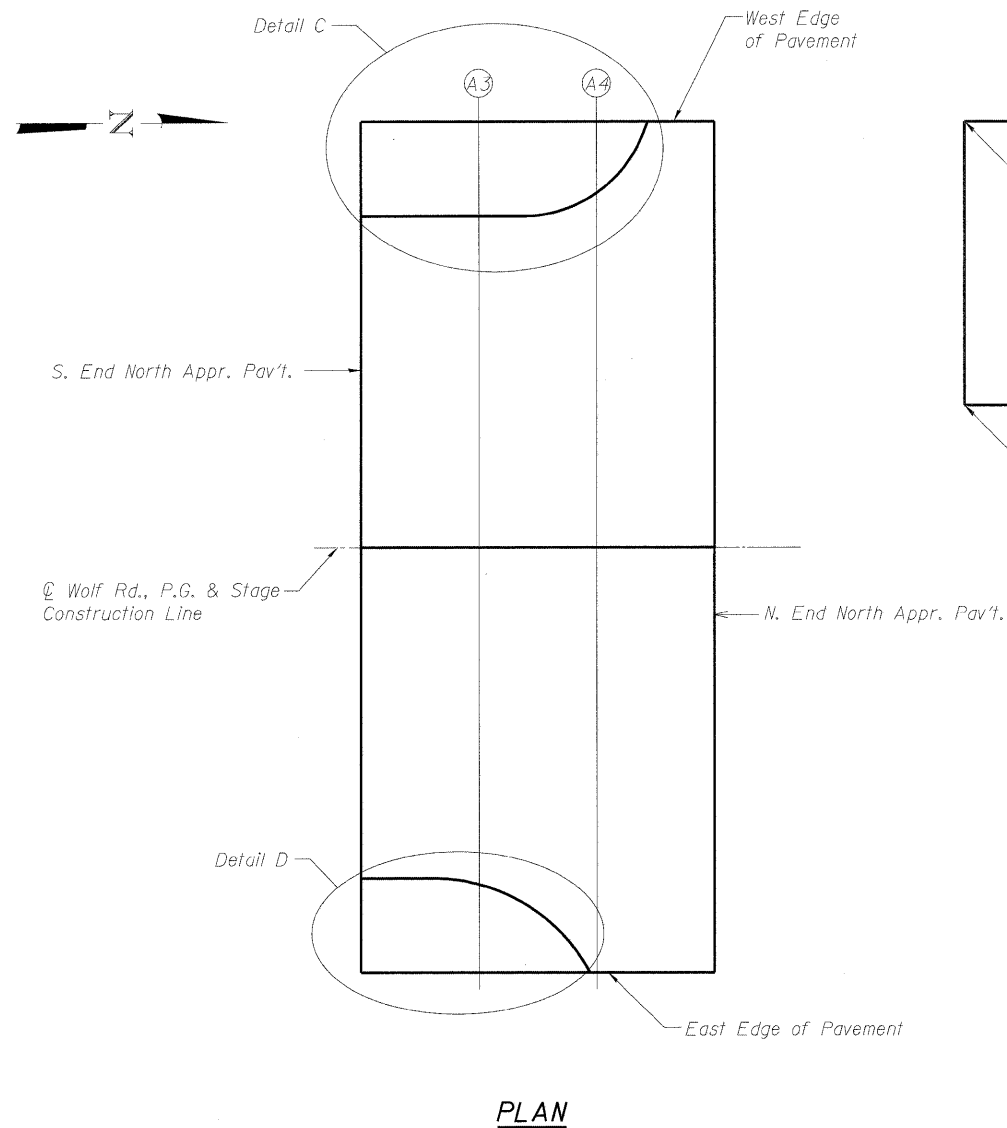
| Location | Station | Offset | Theoretical Grade Elevations |
|---------------------------|-----------|--------|------------------------------|
| S. End North Appr. Pav't. | 950+34.75 | -36.00 | 646.46 |
| A3 | 950+44.75 | -36.00 | 646.38 |
| A4 | 950+54.75 | -36.00 | 646.31 |
| N. End North Appr. Pav't. | 950+64.75 | -36.00 | 646.24 |

☉ WOLF RD., P.G. & STAGE CONSTRUCTION LINE

| Location | Station | Offset | Theoretical Grade Elevations |
|---------------------------|-----------|--------|------------------------------|
| S. End North Appr. Pav't. | 950+34.75 | 0.00 | 647.00 |
| A3 | 950+44.75 | 0.00 | 646.92 |
| A4 | 950+54.75 | 0.00 | 646.85 |
| N. End North Appr. Pav't. | 950+64.75 | 0.00 | 646.78 |

EAST EDGE OF PAVEMENT

| Location | Station | Offset | Theoretical Grade Elevations |
|---------------------------|-----------|--------|------------------------------|
| S. End North Appr. Pav't. | 950+34.75 | 36.00 | 646.46 |
| A3 | 950+44.75 | 36.00 | 646.38 |
| A4 | 950+54.75 | 36.00 | 646.31 |
| N. End North Appr. Pav't. | 950+64.75 | 36.00 | 646.24 |



* Elevations beneath the sidewalk are given at the theoretical top of slab which is the projection of the roadway slope beneath the sidewalk.

FILE NAME = g:\projects\1022155_2019\road\structure\shc\1606880-60M52-008-N Appr Elev.dgn



| | | |
|------------------------|----------------|----------|
| USER NAME = zolanid | DESIGNED - BPS | REVISD - |
| PLOT SCALE = N/A | CHECKED - BHS | REVISD - |
| PLOT DATE = 10/27/2011 | DRAWN - BPS | REVISD - |
| | CHECKED - BHS | REVISD - |

**STATE OF ILLINOIS
DEPARTMENT OF TRANSPORTATION**

**TOP OF NORTH APPROACH SLAB ELEVATIONS
S.N. 016-0680**

SHEET NO. 58 OF 29 SHEETS

| F.A.U. RTE. | SECTION | COUNTY | TOTAL SHEETS | SHEET NO. |
|--------------------|---------|--------|---------------------------|-----------|
| 2692 | 1415B-1 | COOK | 72 | 43 |
| CONTRACT NO. 60M52 | | | ILLINOIS FED. AID PROJECT | |