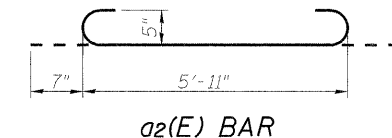


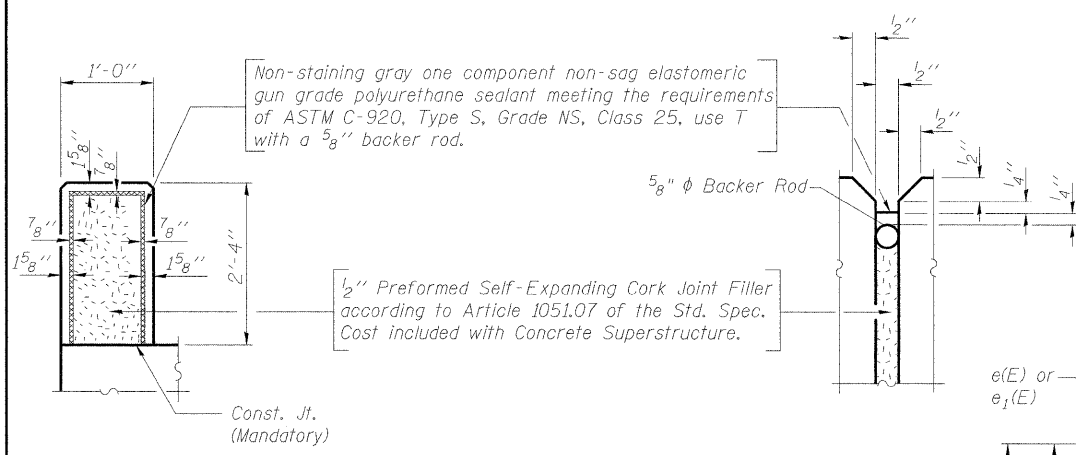
INSIDE ELEVATION OF PARAPET AND SIDEWALK



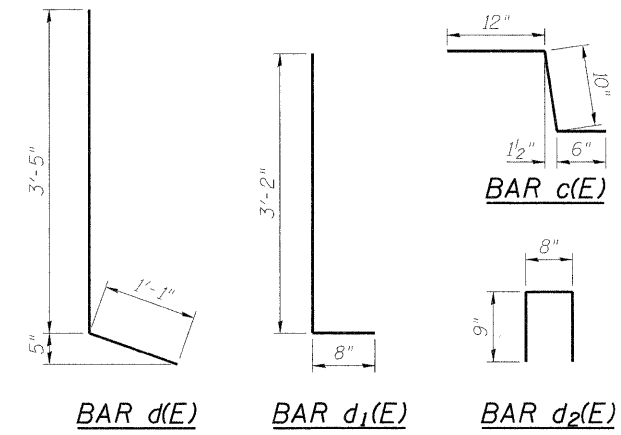
a2(E) BAR

**SUPERSTRUCTURE
BILL OF MATERIAL**

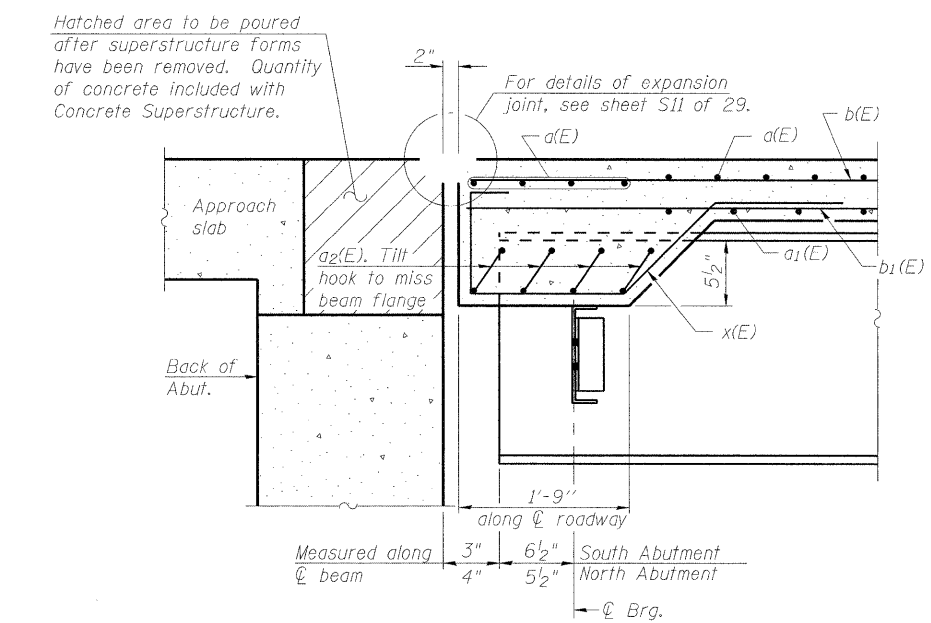
Bar	No.	Size	Length	Shape
a(E)	244	#5	35'-6"	—
a1(E)	154	#5	34'-10"	—
a2(E)	88	#5	7'-1"	U
a3(E)	16	#5	1'-6"	—
b(E)	180	#5	34'-9"	—
b1(E)	183	#5	24'-0"	—
c(E)	136	#5	2'-4"	L
c1(E)	136	#5	7'-8"	—
d(E)	136	#4	4'-6"	L
d1(E)	136	#6	3'-10"	—
d2(E)	32	#4	2'-2"	—
d3(E)	8	#4	4'-9"	—
e(E)	64	#4	16'-5"	—
e1(E)	32	#4	4'-8"	—
x(E)	144	#5	6'-5"	—
Reinforcement Bars, Epoxy Coated			Pound	30,860
Concrete Superstructure			Cu. Yds.	173.1



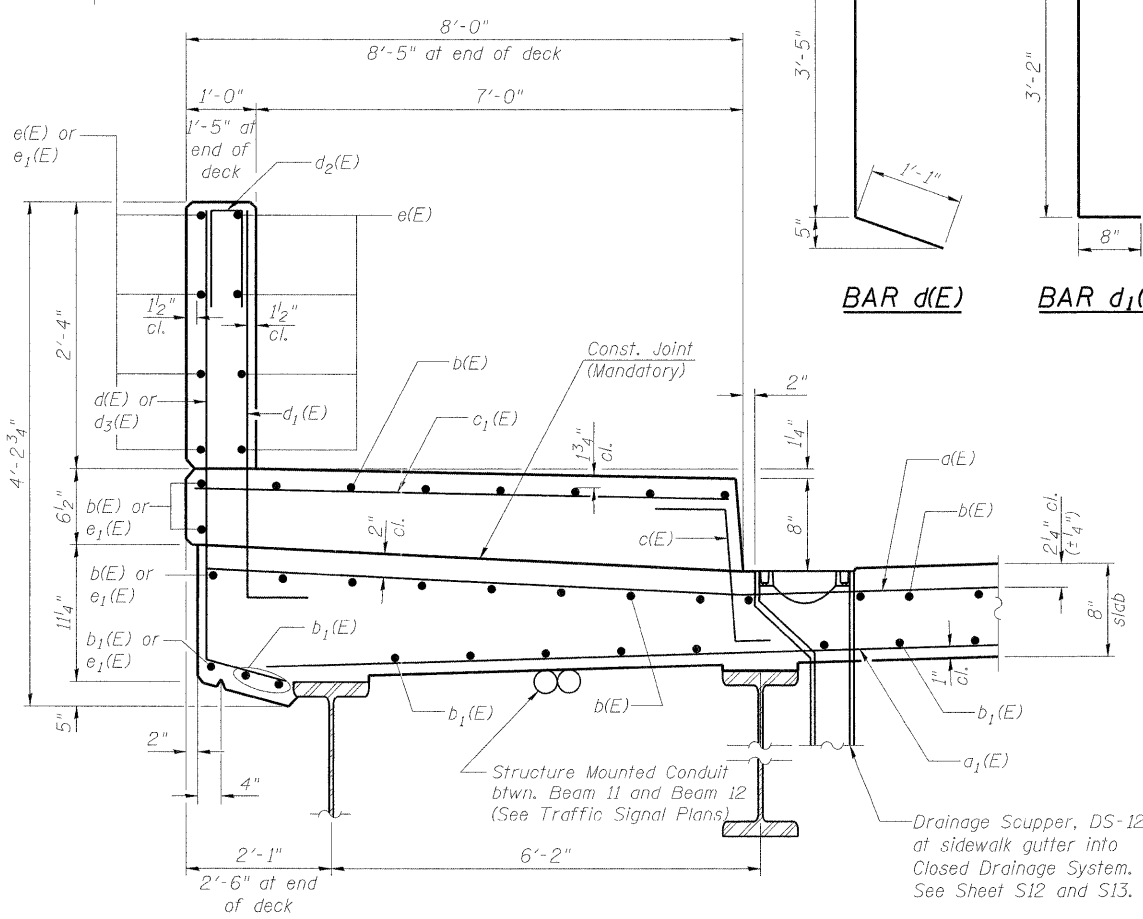
PARAPET JOINT DETAILS



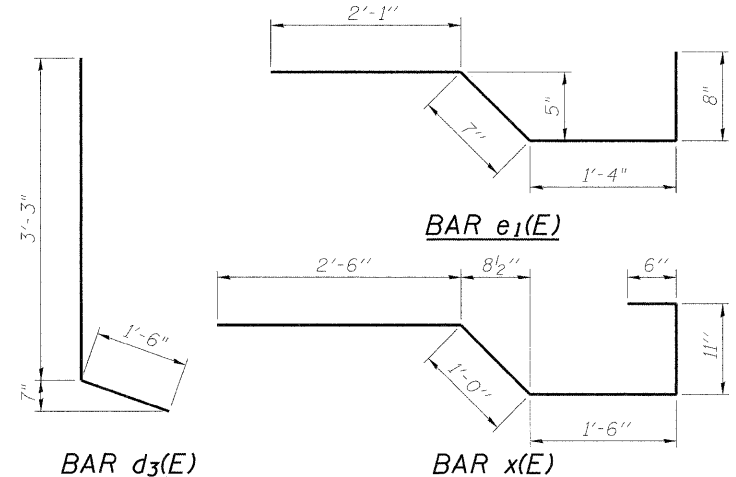
MINIMUM BAR LAP
#5 bar = 2'-7"



SECTION A-A



SECTION THRU SIDEWALK



BAR e1(E)

BAR d3(E)

BAR x(E)

FILE NAME: g:\proj\sect\2102155_009\cadd\structure\int\1\0166560-60N52-01P-Deck_2.dgn