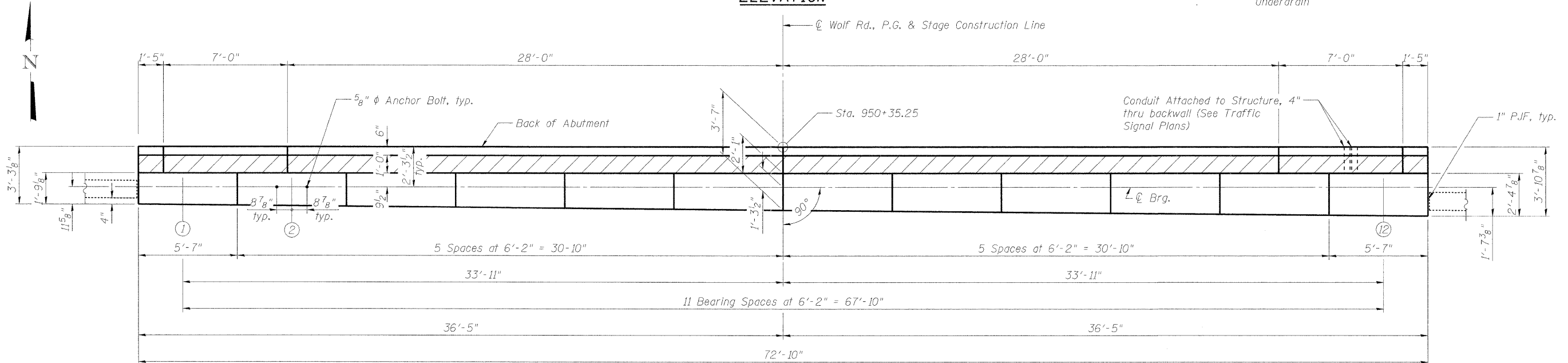


ELEVATION

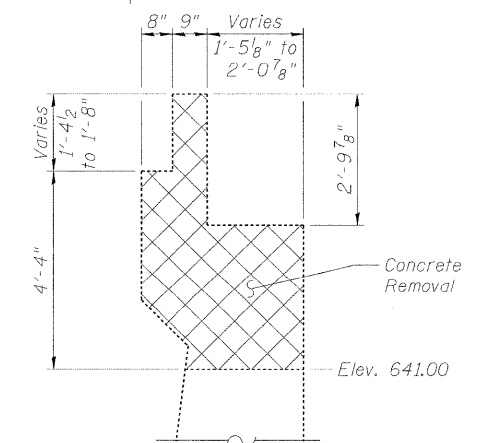


TOP VIEW

BEARING SEAT ELEVATIONS

Beam	Bearing Seat Elevation
1	643.51
2	643.60
3	643.70
4	643.79
5	643.88
6	643.97
7	643.97
8	643.88
9	643.79
10	643.70
11	643.60
12	643.51

Notes:  
 See Sheet S24 for Section A-A, Section B-B, and Detail C.  
 Hatched area to be poured after superstructure false work has been removed. Cost included with Concrete Superstructures.  
 Space reinforcement in caps to miss anchor bolts.  
 Pour steps monolithically with cap.  
 Drill and Grout bars to be installed according to Section 584 of the Standard Specifications. Cost included with Reinforcement Bars, Epoxy Coated.  
 For details of Bar Splicers, see Sheet S25.



REMOVAL SECTION

FILE NAME = g:\p\proj\1102155\_0070\cadd\structure\abnt\1102155\_0070\abnt.dwg



USER NAME = 2soyerb  
 PLOT SCALE = N/A  
 PLOT DATE = 11/30/2011

DESIGNED - BPS  
 CHECKED - BHS  
 DRAWN - BPS  
 CHECKED - BHS

REVISED -  
 REVISED -  
 REVISED -  
 REVISED -

STATE OF ILLINOIS  
 DEPARTMENT OF TRANSPORTATION

NORTH ABUTMENT PLAN AND ELEVATION  
 S.N. 016-0680

SHEET NO. S23 OF 29 SHEETS

F.A.U. RTE.	SECTION	COUNTY	TOTAL SHEETS	SHEET NO.
2692	1415B-1	COOK	72	58
CONTRACT NO. 60M52			ILLINOIS FED. AID PROJECT	