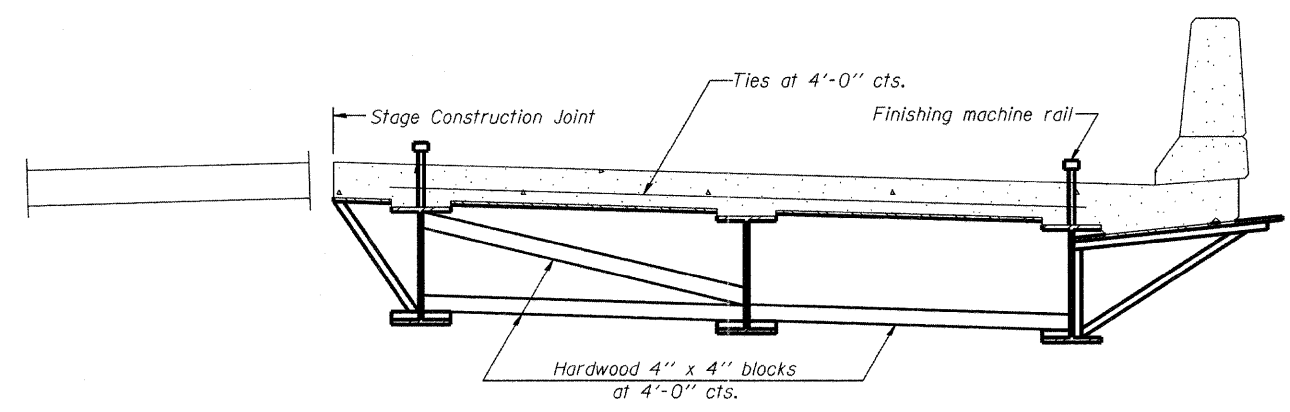


When cantilever forming brackets are used, the work shall be done according to Article 503.06(b) of the Standard Specifications, except as modified below and in the details shown on this sheet.

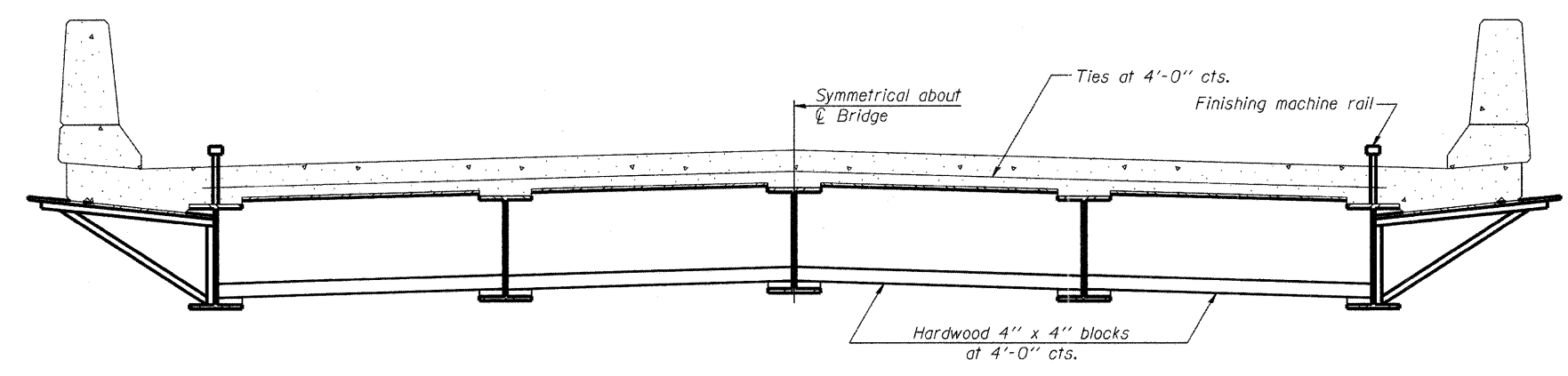
The finishing machine rails shall be placed on the top flange of the exterior beams.

The beams or girders, supporting cantilever forming brackets, shall be tied together at 4 foot intervals.

For Standard construction, or Stage Construction the Hardwood bracing materials shall be placed as shown between webs of beams in each bay.



FORM BRACES FOR
STAGE CONSTRUCTION



FORM BRACES FOR
STANDARD CONSTRUCTION

SB-1

7-1-10

APEX CONSULTING ENGINEERS, LLC 111 E. Washburn Drive, Suite 620 Chicago, IL 60601 Phone (312) 977-0660 Fax (312) 977-0961	USER NAME =	DESIGNED -	REVISED	STATE OF ILLINOIS DEPARTMENT OF TRANSPORTATION	CANTILEVER FORMING BRACKETS FOR SUPERSTRUCTURES WITH W27 BEAMS AND SMALLER STRUCTURE NO. 016-0772	F.A.U. RTE.	SECTION	COUNTY	TOTAL SHEETS	SHEET NO.
	PLOT SCALE =	CHECKED -	REVISED			2845	0505-B	COOK	52	27
	PLOT DATE = 10/27/2011	DRAWN -	REVISED			CONTRACT NO. 60M78				
		CHECKED -	REVISED			ILLINOIS FED. AID PROJECT				
SHEET NO. 517 OF 534 SHEETS										