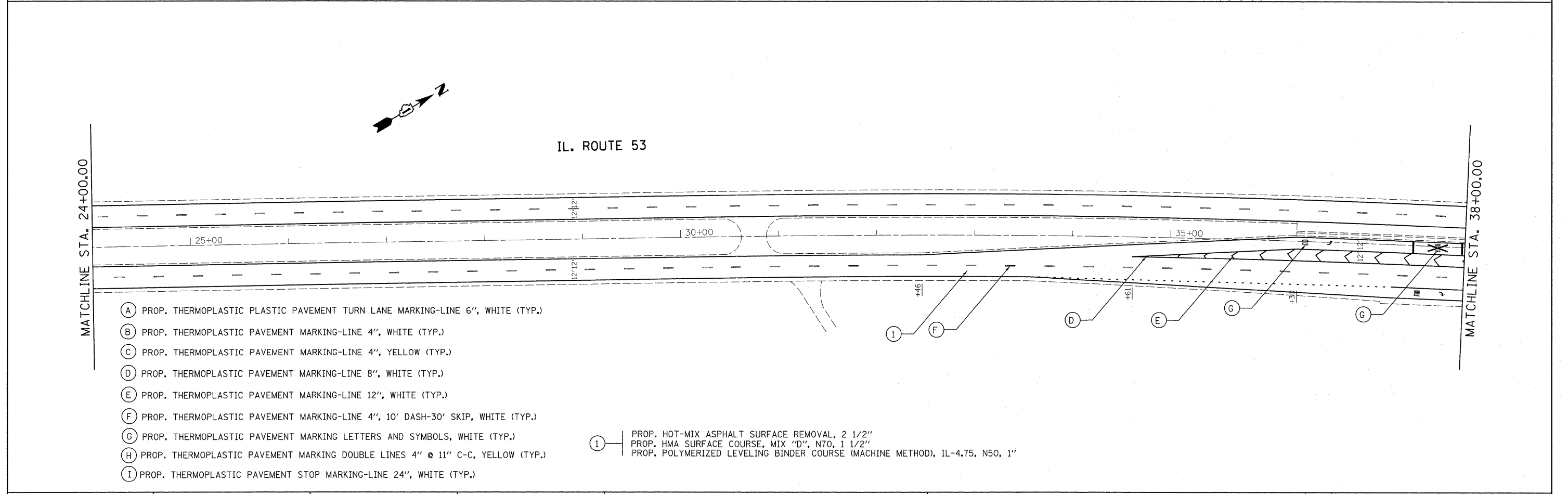


- (A) PROP. THERMOPLASTIC PLASTIC PAVEMENT TURN LANE MARKING-LINE 6", WHITE (TYP.)
- (B) PROP. THERMOPLASTIC PAVEMENT MARKING-LINE 4", WHITE (TYP.)
- (C) PROP. THERMOPLASTIC PAVEMENT MARKING-LINE 4", YELLOW (TYP.)
- (D) PROP. THERMOPLASTIC PAVEMENT MARKING-LINE 8", WHITE (TYP.)
- (E) PROP. THERMOPLASTIC PAVEMENT MARKING-LINE 12", WHITE (TYP.)
- (F) PROP. THERMOPLASTIC PAVEMENT MARKING-LINE 4", 10' DASH-30' SKIP, WHITE (TYP.)
- (G) PROP. THERMOPLASTIC PAVEMENT MARKING LETTERS AND SYMBOLS, WHITE (TYP.)
- (H) PROP. THERMOPLASTIC PAVEMENT MARKING DOUBLE LINES 4" @ 11" C-C, YELLOW (TYP.)
- (I) PROP. THERMOPLASTIC PAVEMENT STOP MARKING-LINE 24", WHITE (TYP.)

- (1) PROP. HOT-MIX ASPHALT SURFACE REMOVAL, 2 1/2"
 PROP. HMA SURFACE COURSE, MIX "D", N70, 1 1/2"
 PROP. POLYMERIZED LEVELING BINDER COURSE (MACHINE METHOD), IL-4.75, N50, 1"



- (A) PROP. THERMOPLASTIC PLASTIC PAVEMENT TURN LANE MARKING-LINE 6", WHITE (TYP.)
- (B) PROP. THERMOPLASTIC PAVEMENT MARKING-LINE 4", WHITE (TYP.)
- (C) PROP. THERMOPLASTIC PAVEMENT MARKING-LINE 4", YELLOW (TYP.)
- (D) PROP. THERMOPLASTIC PAVEMENT MARKING-LINE 8", WHITE (TYP.)
- (E) PROP. THERMOPLASTIC PAVEMENT MARKING-LINE 12", WHITE (TYP.)
- (F) PROP. THERMOPLASTIC PAVEMENT MARKING-LINE 4", 10' DASH-30' SKIP, WHITE (TYP.)
- (G) PROP. THERMOPLASTIC PAVEMENT MARKING LETTERS AND SYMBOLS, WHITE (TYP.)
- (H) PROP. THERMOPLASTIC PAVEMENT MARKING DOUBLE LINES 4" @ 11" C-C, YELLOW (TYP.)
- (I) PROP. THERMOPLASTIC PAVEMENT STOP MARKING-LINE 24", WHITE (TYP.)

- (1) PROP. HOT-MIX ASPHALT SURFACE REMOVAL, 2 1/2"
 PROP. HMA SURFACE COURSE, MIX "D", N70, 1 1/2"
 PROP. POLYMERIZED LEVELING BINDER COURSE (MACHINE METHOD), IL-4.75, N50, 1"

FILE NAME =	USER NAME = qureshysa	DESIGNED -	REVISED -	STATE OF ILLINOIS DEPARTMENT OF TRANSPORTATION	ROADWAY AND PAVEMENT MARKING PLANS IL 53 (MANHATTAN RD. TO HOFF RD.)			F.A.P. RTE.	SECTION	COUNTY	TOTAL SHEETS	SHEET NO.
ct\pw_work\p\p\dot\qureshysa\d0262790\0149411-shr-plan.dgn		DRAWN -	REVISED -		846	4R-RS-9	WILL	25	6	CONTRACT NO. 60P19		
PLOT SCALE = 50.0000' / 1"		CHECKED -	REVISED -		SCALE: NONE	SHEET NO. 1 OF 7 SHEETS	STA.	TO STA.	ILLINOIS FED. AID PROJECT			
PLOT DATE = 10/21/2011		DATE -	REVISED -									