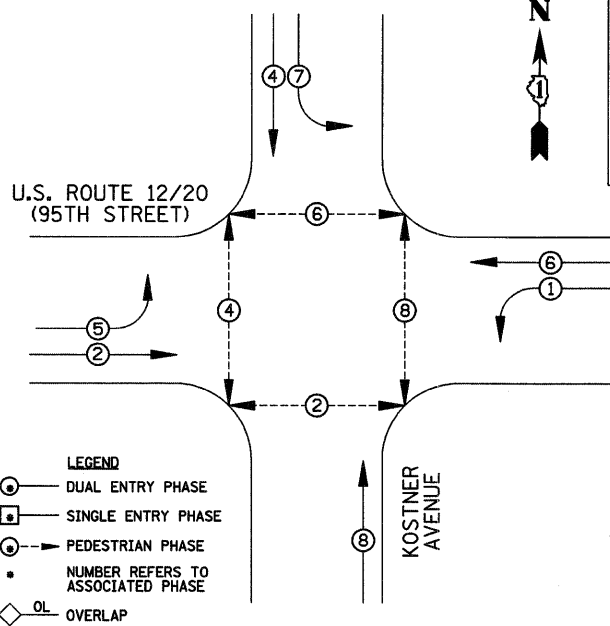
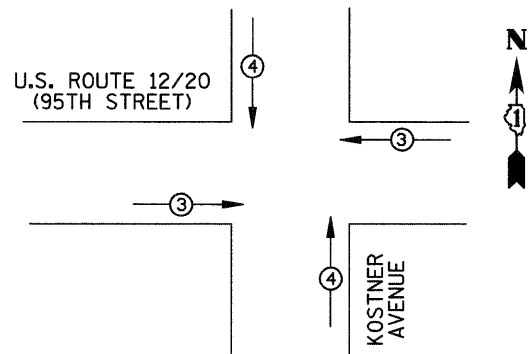


TEMPORARY CONTROLLER SEQUENCE



RESTORATION OF WORK AREA
 RESTORATION OF THE TRAFFIC SIGNAL WORK AREA SHALL BE INCIDENTAL TO THE RELATED PAY ITEM SUCH AS FOUNDATION, CONDUIT, HANDHOLE, TRENCH AND BACKFILL, ETC., AND NO EXTRA COMPENSATION SHALL BE ALLOWED. ALL ROADWAY SURFACES SUCH AS SHOULDERS, MEDIANS, SIDEWALKS, PAVEMENT, ETC. SHALL BE REPLACED IN KIND. ALL DAMAGE TO MOWED LAWNS SHALL BE REPLACED WITH AN APPROVED SOD, AND ALL DAMAGE TO UNMOWED FIELDS SHALL BE SEEDED IN ACCORDANCE WITH STANDARD SPECIFICATIONS 252 AND 250 RESPECTIVELY.

TEMPORARY PHASE DESIGNATION DIAGRAM



TEMPORARY EMERGENCY VEHICLE PREEMPTORS		
EMERGENCY VEHICLE PREEMPTOR	3	4
MOVEMENT	—	

TEMPORARY EMERGENCY VEHICLE PREEMPTION SEQUENCE

I.D.O.T. TRAFFIC SIGNAL INSTALLATION ELECTRICAL SERVICE REQUIREMENTS					TOTAL WATTAGE
TYPE	NO. LAMPS	WATTAGE INCAND.	WATTAGE LED	%OPERATION	
SIGNAL (RED)	12	135	17	0.50	102
(YELLOW)	12	135	25	0.25	
(GREEN)	12	135	15	0.25	
ARROW	12	135	12	0.10	45
PED. SIGNAL	8	90	25	1.00	14.4
CONTROLLER	1	100	100	1.00	200
ILLUM. SIGN		84		0.05	100
VIDEO SYSTEM		150		1.00	150
FLASHER		135	25	0.50	

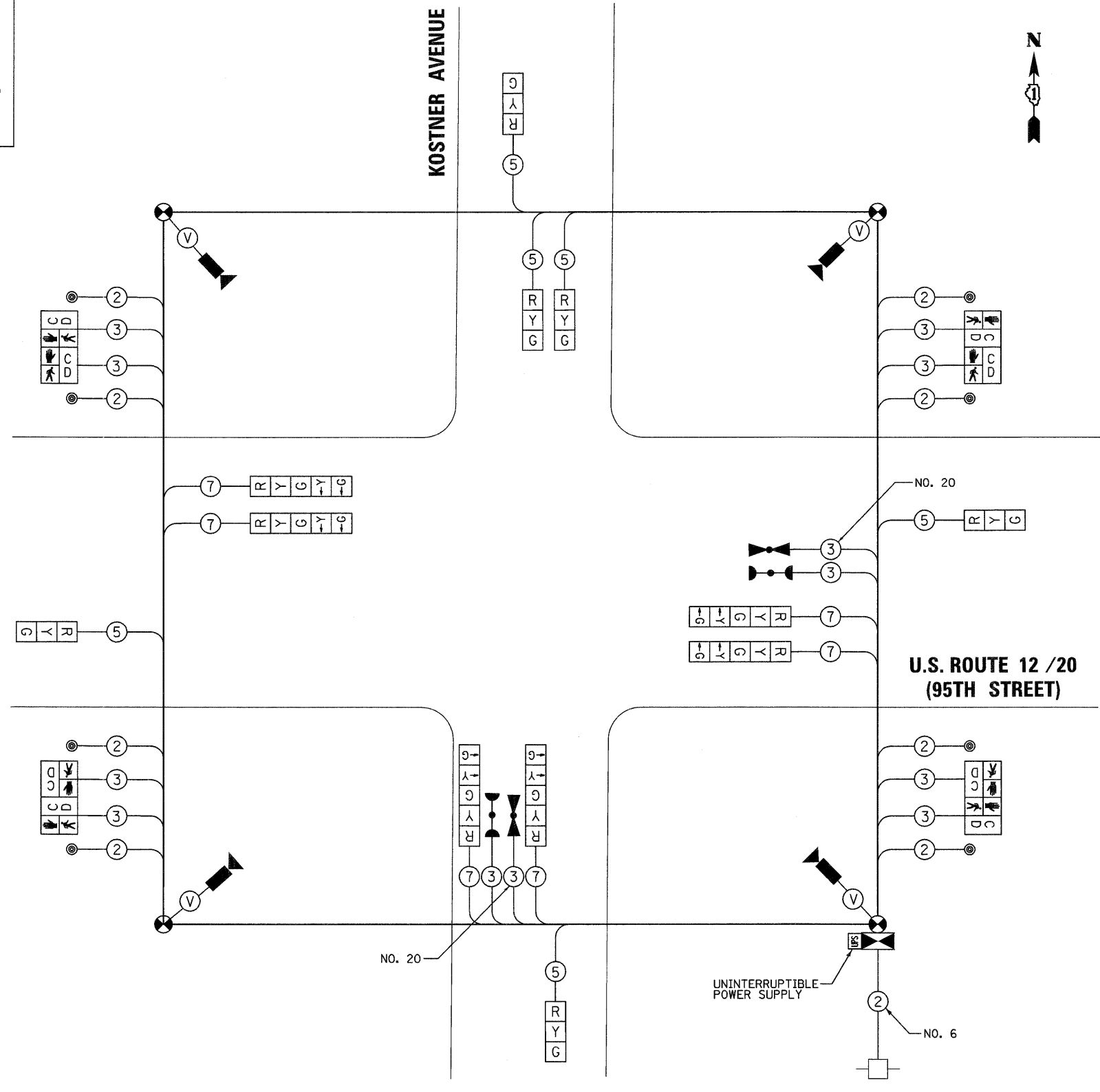
ENERGY COSTS TO: TOTAL = **686.4**
 ILLINOIS DEPARTMENT OF TRANSPORTATION
 201 WEST CENTER COURT
 SCHAUMBURG, IL 60196-1096
 ENERGY SUPPLY CONTACT: KATHRYN SUGRUE
 PHONE: (708) 235-2337
 COMPANY: COMED

FILE NAME = \MICROST\352898\ 95TH & KOSTNER TEMP CAB.DGN
 USER NAME = JGC
 DESIGNED - BPT
 DRAWN - JGC
 CHECKED - BPT
 PLOT DATE = 10-21-11
 REVISED -
 REVISED -
 REVISED -
 REVISED -

**STATE OF ILLINOIS
 DEPARTMENT OF TRANSPORTATION**

**TEMPORARY CABLE PLAN AND PHASE DESIGNATION DIAGRAM
 U.S. ROUTE 12 /20 (95TH STREET) AT KOSTNER AVENUE**

SCALE: N.T.S. SHEET NO. OF SHEETS STA. TO STA.



TEMPORARY CABLE PLAN

PREPARED BY:
CEMCON, Ltd.
 Consulting Engineers, Land Surveyors & Planners
 2280 White Oak Circle, Suite 100
 Aurora, Illinois 60504-9675
 Ph: 630.862.2100 Fax: 630.862.2199
 E-Mail: cadd@cemcon.com Website: www.cemcon.com

F.A.P. RTE.	SECTION	COUNTY	TOTAL SHEETS	SHEET NO.
029	2011-038-TS	COOK	21	13
FED. ROAD DIST. NO.			ILLINOIS FED. AID PROJECT	
			CONTRACT NO. 60P44	