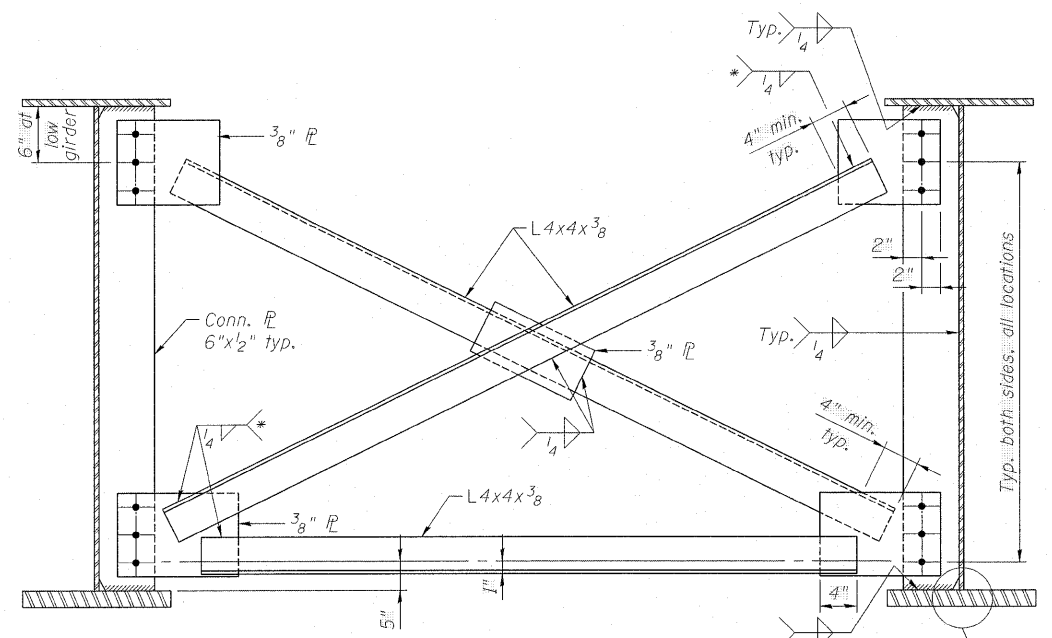


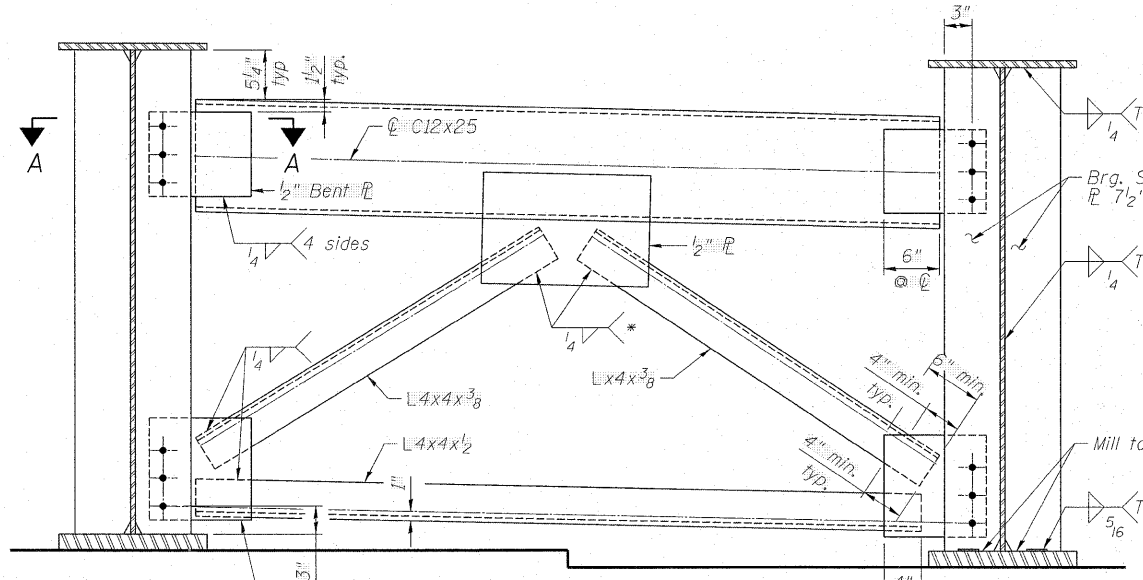
12/16/2011 5:55:43 PM  
 s:\IND05\_CADD\60P69\_Russell\Fabrication\60P69\_Sheets\049008-60P69-09-ED.dgn



\* Fillet weld angles along 3 sides on one face of gusset plate.

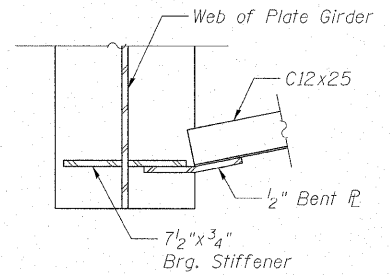
**INTERIOR CROSS FRAME D1**  
(50 Required)

See Section at Abutment  
(Sheet 9) for connection  
plate clip dimensions



\* Weld on near side of 1/2" PL

**END CROSS FRAME D2**  
(20 Required)



**SECTION A-A**

**NOTES:**

- Two hardened washers required for each set of oversized holes.
- Place end cross frames with channel flanges and outstanding angle legs outward from abutment backwall.
- All cross frames shall be installed as steel is erected and secured with erection pins and bolts except as otherwise noted. Individual cross frames at supports may be temporarily disconnected to install bearing anchor rods.

**BOWMAN, BARRETT & ASSOCIATES INC.**  
 CONSULTING ENGINEERS  
 Chicago, Illinois  
 312.228.0100  
 www.bbandainc.com



|             |                        |                |           |
|-------------|------------------------|----------------|-----------|
| FILE NAME = | USER NAME =            | DESIGNED - MRM | REVISED - |
|             |                        | CHECKED - TL   | REVISED - |
|             | PLOT SCALE = N.T.S.    | DRAWN - MTR    | REVISED - |
|             | PLOT DATE = 12/16/2011 | CHECKED - DF   | REVISED - |

**STATE OF ILLINOIS**  
**DEPARTMENT OF TRANSPORTATION**

**BEAM DETAILS**  
**STRUCTURE NO. 049-0533**  
 SHEET NO. OF SHEETS

| F.A.U. RTE.        | SECTION    | COUNTY | TOTAL SHEETS              | SHEET NO. |
|--------------------|------------|--------|---------------------------|-----------|
| 1199               | 2011-056-F | LAKE   | 19                        | 10        |
| CONTRACT NO. 60P69 |            |        | ILLINOIS FED. AID PROJECT |           |