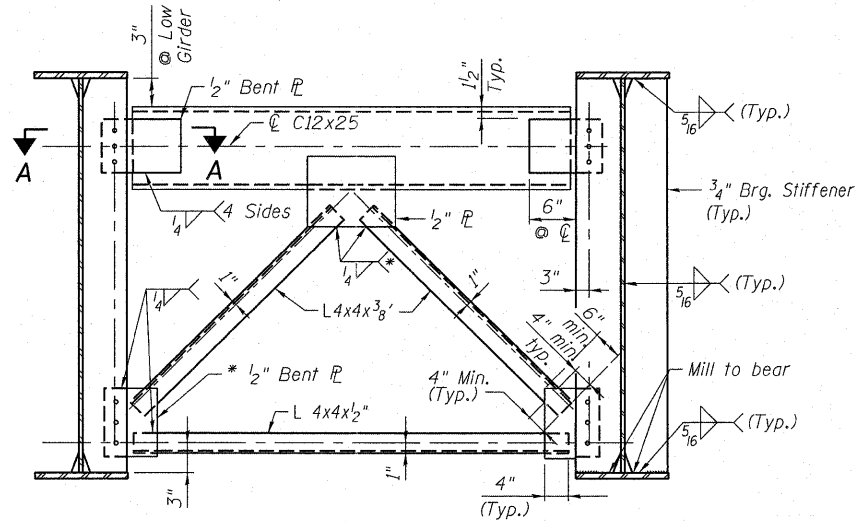


TYPICAL INTERIOR CROSS FRAMES (CF)

(50 Required)

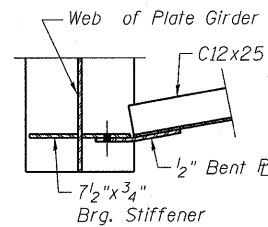
**Fillet weld angles along 3 sides on one face of gusset plate



END CROSS FRAMES (EF)

(20 Required)

* Weld on near side of 1/2" plate



SECTION A-A

Notes:

Two Hardened Washers Required for Each set of Oversized Holes.

Place diaphragm with channel flanges and outstanding angle legs outward from abutment backwall.

All cross frames or diaphragms shall be installed as steel is erected and secured with erection pins and bolts except as otherwise noted. Individual cross frames or diaphragms at supports may be temporarily disconnected to install bearing anchor rods.



FILE NAME =	USER NAME =	DESIGNED - LRT / AG	REVISED -	STATE OF ILLINOIS DEPARTMENT OF TRANSPORTATION	CROSS FRAME DETAILS STRUCTURE NO. 049-0534	F.A.U. RTE.	SECTION	COUNTY	TOTAL SHEETS	SHEET NO.	
		CHECKED - OAD / LRT	REVISED -			1199	2011-056-F	LAKE	19	18	
		DRAWN - TCS / AG	REVISED -			CONTRACT NO. 60P69					
		CHECKED - AG	REVISED -			ILLINOIS FED. AID PROJECT					
	PLOT SCALE = N.T.S.			SHEET NO. OF SHEETS							
	PLOT DATE = 09/01/2011										