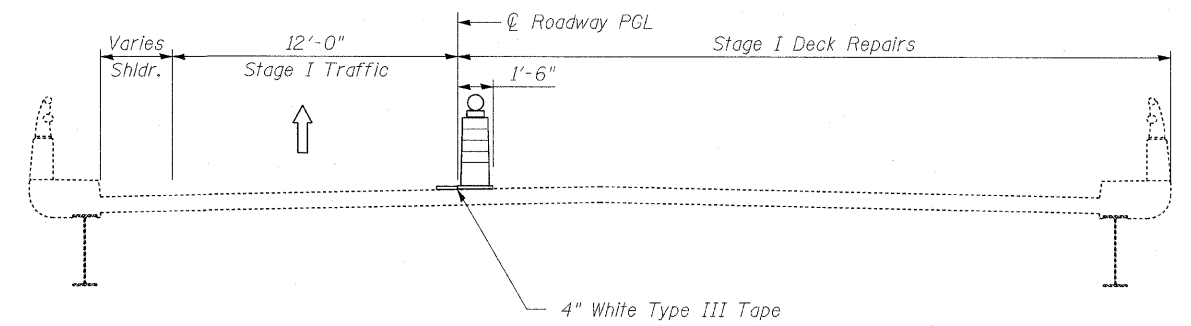
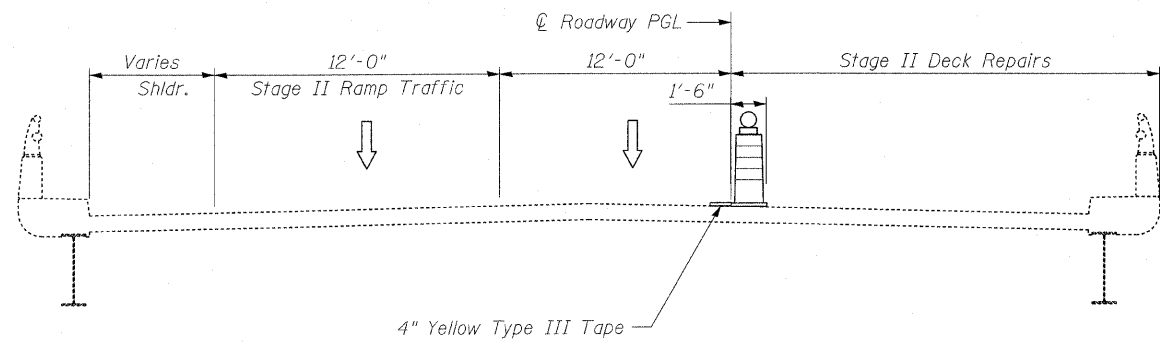


SOUTH-BOUND

STAGE I REPAIRS
TYPICAL CROSS SECTION



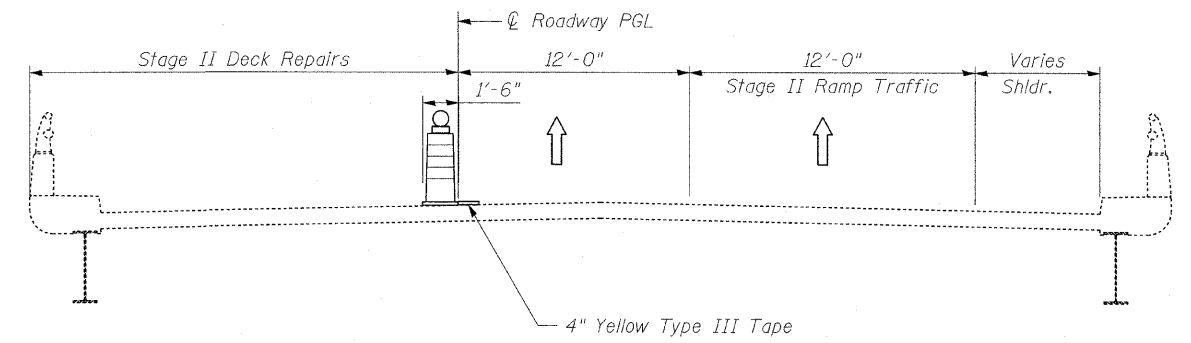
NORTH-BOUND



SOUTH-BOUND

STAGE II REPAIRS
TYPICAL CROSS SECTION

See Roadway MOT plans for details.



NORTH-BOUND

Notes:

- Contractor may reduce lane width for traffic to a minimum of 10' (12' minimum on ramps), to accommodate the work zone during construction.

FILE NAME =	USER NAME =	DESIGNED - EM	REVISED -	STATE OF ILLINOIS DEPARTMENT OF TRANSPORTATION	TYPICAL CROSS SECTION STAGE CONSTRUCTION	F.A.P. RTE.	SECTION	COUNTY	TOTAL SHEETS	SHEET NO.	
		CHECKED - JMH	REVISED -			373	2011-077-BR	COOK	32	27	
		DRAWN - DR/PRH	REVISED -			CONTRACT NO. 60R03					
		CHECKED - JMH	REVISED -			ILLINOIS FED. AID PROJECT					
	PLOT SCALE =			SHEET NO. S13 OF S13 SHEETS							
	PLOT DATE =										