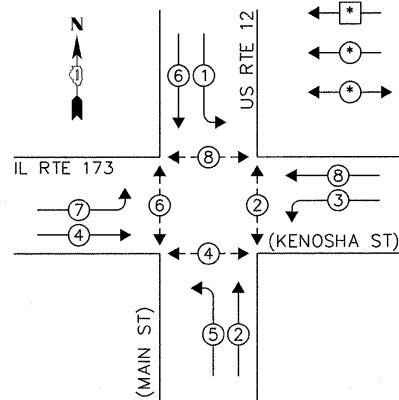
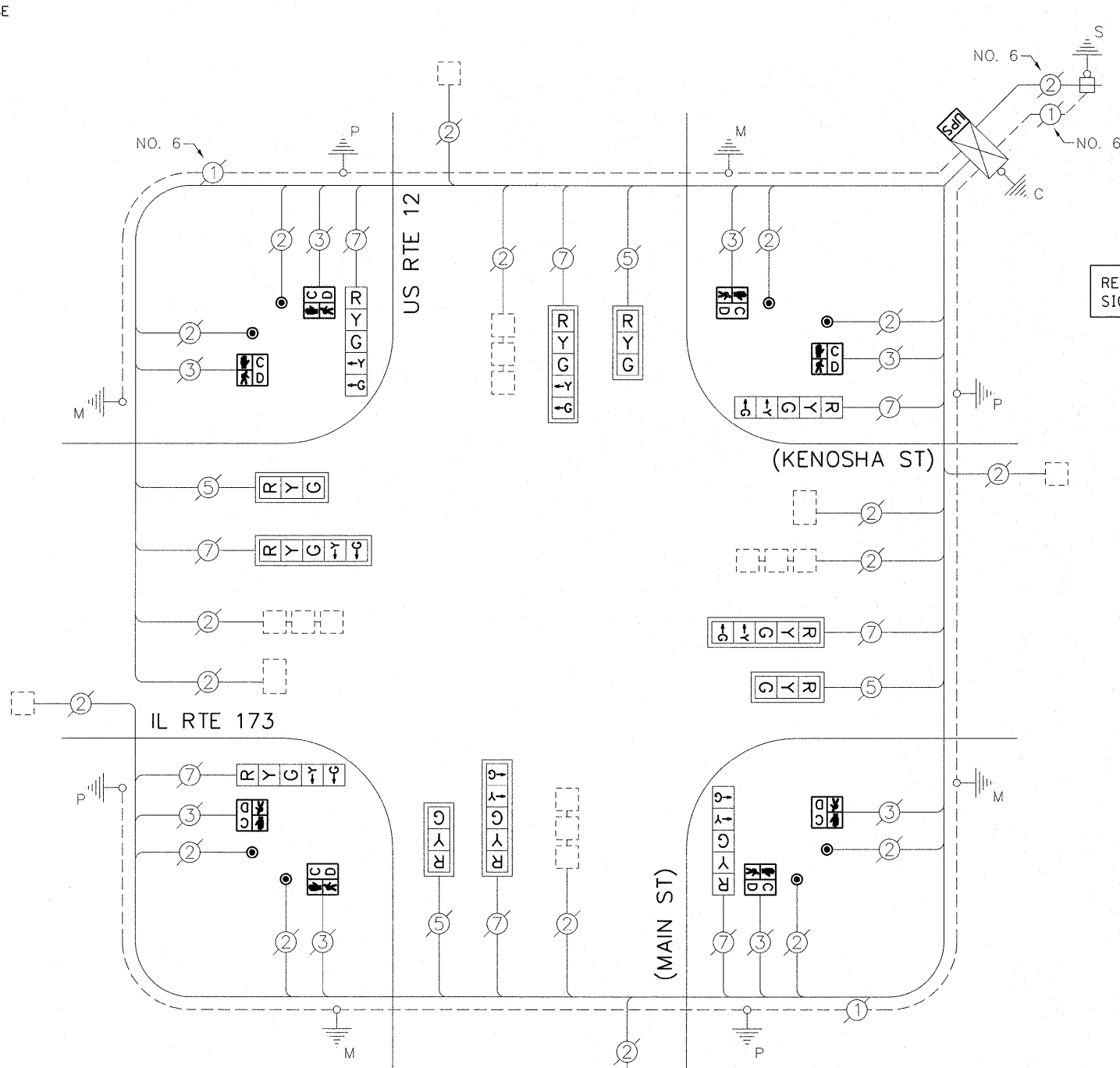


CONTROLLER SEQUENCE

- LEGEND:
- ◻ SINGLE ENTRY PHASE
  - ◉ DUAL ENTRY PHASE
  - ◉ PEDESTRIAN PHASE



PHASE DESIGNATION DIAGRAM



CABLE PLAN

RETROFIT ALL EXISTING TRAFFIC SIGNAL HEADS TO L.E.D.

THE FOLLOWING ITEMS SHALL BE REMOVED BY THE CONTRACTOR AND SHALL BE DISPOSED OF BY THEM OUTSIDE THE RIGHT-OF-WAY AT THEIR EXPENSE. THE SALVAGE VALUE OF THE REMOVED EQUIPMENT SHALL BE REFLECTED IN THE CONTRACT BID PRICE.

- 8 EACH PEDESTRIAN SIGNAL HEAD
- 8 EACH PEDESTRIAN PUSH-BUTTON

I.D.O.T. TRAFFIC SIGNAL INSTALLATION ELECTRICAL SERVICE REQUIREMENTS					TOTAL WATTAGE
TYPE	NO. OF LAMPS	WATTAGE		% OPERATION	
SIGNAL (RED)	12	INCAND.	17	0.50	102.00
(YELLOW)	12		25	0.25	75.00
(GREEN)	12		15	0.25	45.00
ARROW	16		12	0.10	19.20
PED. SIGNAL	8		25	1.00	200.00
CONTROLLER	1		100	1.00	100.00
ILLUM. SIGN	-		25	0.05	-
VIDEO SYSTEM	-		-	1.00	-
FLASHER				0.50	
ENERGY COSTS TO:				TOTAL =	541.20

VILLAGE OF RICHMOND  
5600 HUNTER DRIVE  
RICHMOND, IL 60071  
ENERGY SUPPLY: CONTACT: MIKE LENOX  
PHONE: (815) 490-2869  
COMPANY: COMMONWEALTH EDISON

SCHEDULE OF QUANTITIES

ITEM	UNIT	QUANTITY
MAINTENANCE OF EXISTING TRAFFIC SIGNAL INSTALLATION	EACH	1
PEDESTRIAN SIGNAL HEAD, LED, 1-FACE, BM WITH COUNTDOWN TIMER	EACH	8
PEDESTRIAN PUSH-BUTTON	EACH	8
MODIFY EXISTING CONTROLLER CABINET	EACH	1
REMOVE EXISTING TRAFFIC SIGNAL EQUIPMENT	EACH	1
SIGNAL HEAD, LED, 1-FACE, 3-SECTION, MAM, RETROFIT	EACH	4
SIGNAL HEAD, LED, 1-FACE, 5-SECTION, MAM, RETROFIT	EACH	4
SIGNAL HEAD, LED, 1-FACE, 5-SECTION, BM, RETROFIT	EACH	4
UNINTERRUPTIBLE POWER SUPPLY SPECIAL	EACH	1

FILE NAME =	USER NAME = plascencia	DESIGNED - IP	REVISED -
#FILEABBREV#		DRAWN - IP	REVISED -
	PLOT SCALE = 28.0000' / in.	CHECKED - AW	REVISED -
	PLOT DATE = 10/27/2011	DATE - 10/25/2011	REVISED -

STATE OF ILLINOIS  
DEPARTMENT OF TRANSPORTATION

SCHEDULE OF QUANTITIES, CABLE PLAN, PHASE DESIGNATION DIAGRAM  
AND EMERGENCY VEHICLE PREEMPTION SEQUENCE  
US RTE 12 (MAIN ST) AND IL RTE 173 (KENOSHA ST)  
SCALE: 1" = SHEET NO. OF SHEETS STA. TO STA.

F.A.U. RTE.	SECTION	COUNTY	TOTAL SHEETS	SHEET NO.
-	2011-208-TS	McHENRY	57	12
				CONTRACT NO. 60R37
ILLINOIS				