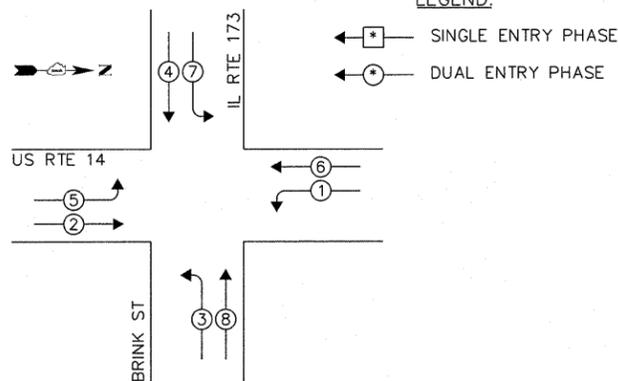


CONTROLLER SEQUENCE

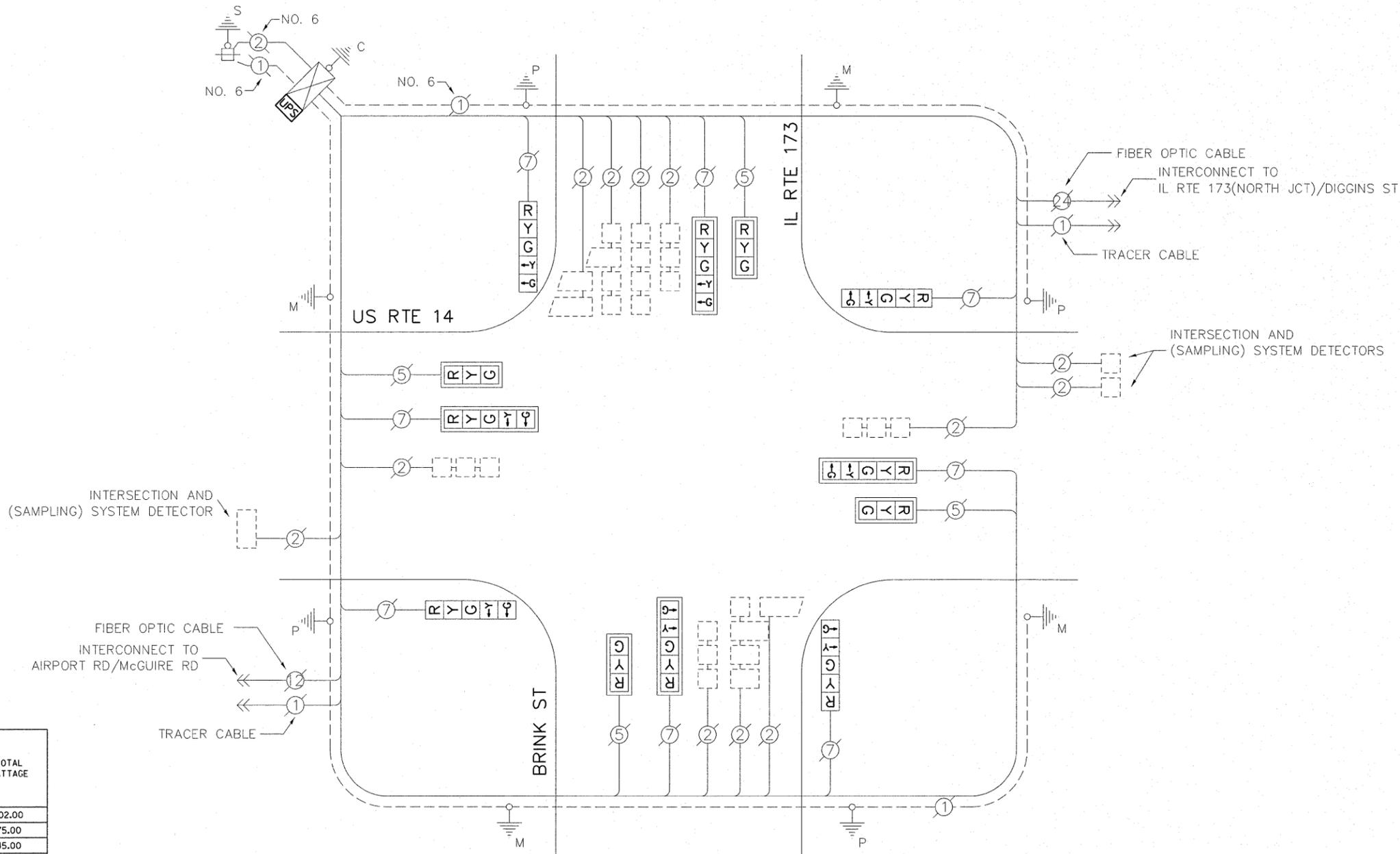


PHASE DESIGNATION DIAGRAM

LEGEND:

- ◀ \* → SINGLE ENTRY PHASE
- ◀ \* → DUAL ENTRY PHASE

RETROFIT ALL EXISTING TRAFFIC SIGNAL HEADS TO L.E.D.



CABLE PLAN

SCHEDULE OF QUANTITIES

ITEM	UNIT	QUANTITY
MAINTENANCE OF EXISTING TRAFFIC SIGNAL INSTALLATION	EACH	1
MODIFY EXISTING CONTROLLER CABINET	EACH	1
SIGNAL HEAD, LED, 1-FACE, 3-SECTION, MAM, RETROFIT	EACH	4
SIGNAL HEAD, LED, 1-FACE, 5-SECTION, MAM, RETROFIT	EACH	4
SIGNAL HEAD, LED, 1-FACE, 5-SECTION, BM, RETROFIT	EACH	4
UNINTERRUPTIBLE POWER SUPPLY SPECIAL	EACH	1

I.D.O.T. TRAFFIC SIGNAL INSTALLATION ELECTRICAL SERVICE REQUIREMENTS					TOTAL WATTAGE
TYPE	NO. OF LAMPS	WATTAGE		% OPERATION	
SIGNAL (RED)	12	INCAND.	LED	0.50	102.00
(YELLOW)	12		25	0.25	75.00
(GREEN)	12		15	0.25	45.00
ARROW	16		12	0.10	19.20
PED. SIGNAL	-		25	1.00	-
CONTROLLER	1		100	1.00	100.00
ILLUM. SIGN	-		25	0.05	-
VIDEO SYSTEM	-		-	1.00	-
FLASHER				0.50	
ENERGY COSTS TO:					TOTAL = 341.20
CITY OF HARVARD 201 WEST DIGGINS STREET HARVARD, IL 60033 ENERGY SUPPLY: CONTACT: MIKE LENOX PHONE: (815) 490-2869 COMPANY: COMMONWEALTH EDISON					
FILE NAME =	USER NAME = plascencia	DESIGNED - IP	REVISED -		
#FILEABBREV#		DRAWN - IP	REVISED -		
	PLOT SCALE = 20,0000' / in.	CHECKED - AW	REVISED -		
	PLOT DATE = 10/27/2011	DATE - 10/25/2011	REVISED -		

STATE OF ILLINOIS  
DEPARTMENT OF TRANSPORTATION

SCHEDULE OF QUANTITIES, CABLE PLAN, PHASE DESIGNATION DIAGRAM  
AND EMERGENCY VEHICLE PREEMPTION SEQUENCE  
US RTE 14 AND IL RTE 173 (SOUTH JCT.) / BRINK ST

F.A.U. RTE.	SECTION	COUNTY	TOTAL SHEETS	SHEET NO.
-	2011-208-TS	McHENRY	57	15
				CONTRACT NO. 60R37

SCALE: 1" = SHEET NO. OF SHEETS STA. TO STA.