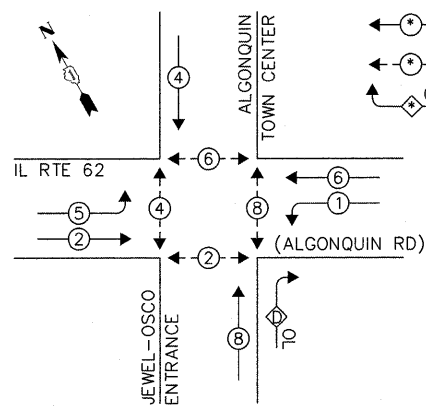
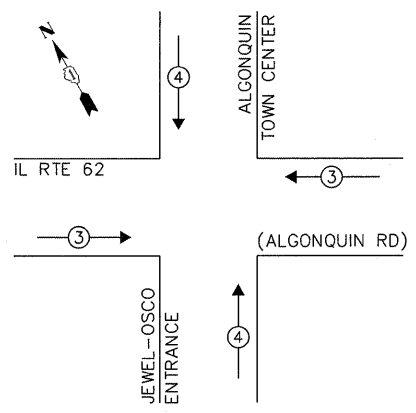


**CONTROLLER SEQUENCE**



**PHASE DESIGNATION DIAGRAM**

**EMERGENCY VEHICLE PREEMPTION SEQUENCE**

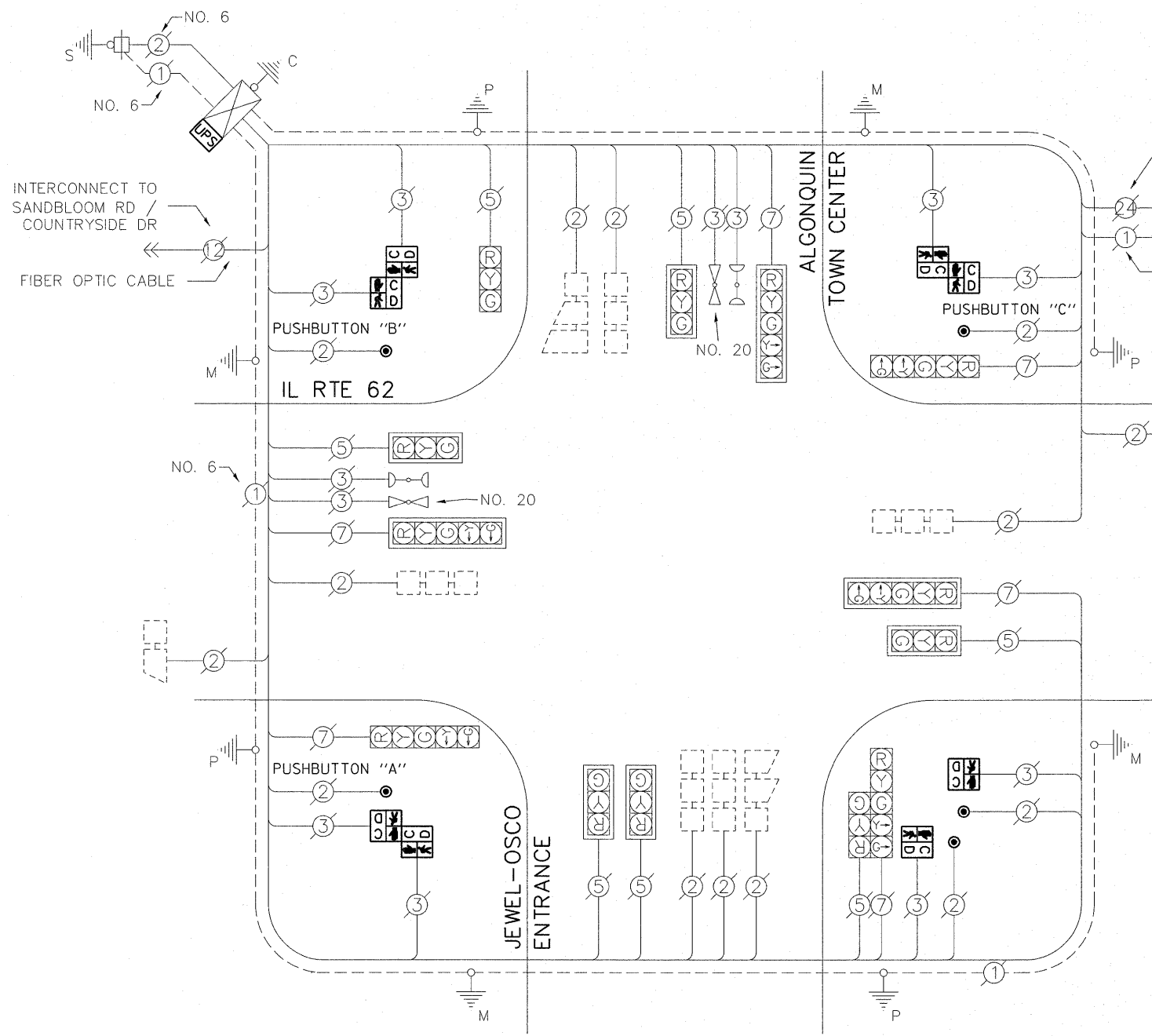


EXISTING EMERGENCY VEHICLE PREEMPTORS		
EMERGENCY VEHICLE PREEMPTOR	3	4
MOVEMENT	←	↑

- LEGEND:**
- ◻ SINGLE ENTRY PHASE
  - ◉ DUAL ENTRY PHASE
  - ◉ PEDESTRIAN PHASE
  - ◊ OL OVERLAP

OVERLAP LETTER      PERMISSIVE PHASE      PROTECTED PHASE

D = 8 + 1



**CABLE PLAN**

THE FOLLOWING ITEMS SHALL BE REMOVED BY THE CONTRACTOR AND SHALL BE DISPOSED OF BY THEM OUTSIDE THE RIGHT-OF-WAY AT THEIR EXPENSE. THE SALVAGE VALUE OF THE REMOVED EQUIPMENT SHALL BE REFLECTED IN THE CONTRACT BID PRICE.

- 8 EACH PEDESTRIAN SIGNAL HEAD
- 5 EACH PEDESTRIAN PUSH-BUTTON

**SCHEDULE OF QUANTITIES**

ITEM	UNIT	QUANTITY
MAINTENANCE OF EXISTING TRAFFIC SIGNAL INSTALLATION	EACH	1
PEDESTRIAN SIGNAL HEAD, LED, 1-FACE, BM WITH COUNTDOWN TIMER	EACH	2
PEDESTRIAN SIGNAL HEAD, LED, 2-FACE, BM WITH COUNTDOWN TIMER	EACH	3
MODIFY EXISTING CONTROLLER CABINET	EACH	1
REMOVE EXISTING TRAFFIC SIGNAL EQUIPMENT	EACH	1
PEDESTRIAN PUSH-BUTTON, NON-LATCHING	EACH	5
UNINTERRUPTIBLE POWER SUPPLY SPECIAL	EACH	1

**NOTE:**

PUSHBUTTON "A" SHALL PLACE A CALL IN PHASES 2 AND 4  
 PUSHBUTTON "B" SHALL PLACE A CALL IN PHASES 4 AND 6  
 PUSHBUTTON "C" SHALL PLACE A CALL IN PHASES 6 AND 8

I.D.O.T. TRAFFIC SIGNAL INSTALLATION ELECTRICAL SERVICE REQUIREMENTS					TOTAL WATTAGE
TYPE	NO. OF LAMPS	WATTAGE		% OPERATION	
SIGNAL (RED)	13	INCAND.	LED		110.50
(YELLOW)	13		25	0.25	81.25
(GREEN)	13		15	0.25	48.75
ARROW	12		12	0.10	14.40
PED. SIGNAL	8		25	1.00	200.00
CONTROLLER	1		100	1.00	100.00
ILLUM. SIGN	-		25	0.05	-
VIDEO SYSTEM	-		-	1.00	-
FLASHER				0.50	
ENERGY COSTS TO:					TOTAL = 554.90

**VILLAGE OF ALGONQUIN**  
 2200 HARNISH DRIVE  
 ALGONQUIN, IL 60102  
 ENERGY SUPPLY: CONTACT: MIKE LENOX  
 PHONE: (815) 490-2869  
 COMPANY: COMMONWEALTH EDISON

FILE NAME =	USER NAME = plascencia	DESIGNED - IP	REVISED -
#FILEABBREV#		DRAWN - IP	REVISED -
		CHECKED - AW	REVISED -
		DATE - 10/25/2011	REVISED -

**STATE OF ILLINOIS  
 DEPARTMENT OF TRANSPORTATION**

**SCHEDULE OF QUANTITIES, CABLE PLAN, PHASE DESIGNATION DIAGRAM AND EMERGENCY VEHICLE PREEMPTION SEQUENCE**  
**IL RTE 62 (ALGONQUIN RD) AND ALGONQUIN TOWN CENTER /JEWEL-OSCO ENT.**

F.A.U. RTE.	SECTION	COUNTY	TOTAL SHEETS	SHEET NO.
-	2011-208-TS	MCHENRY	57	37
CONTRACT NO. 60R37			ILLINOIS	