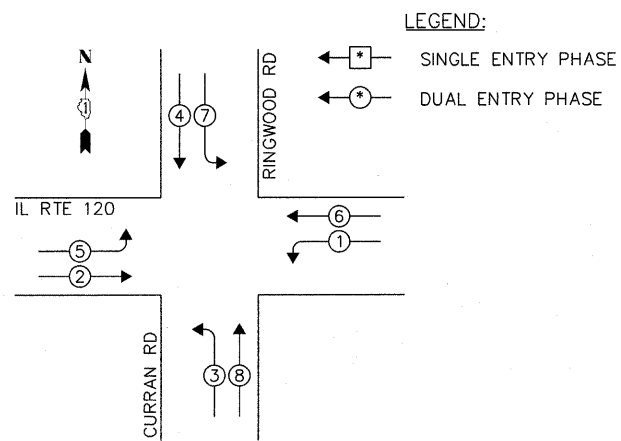
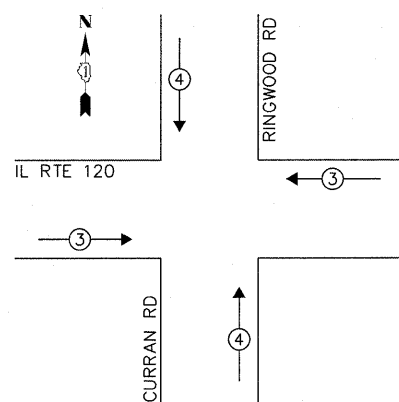


CONTROLLER SEQUENCE

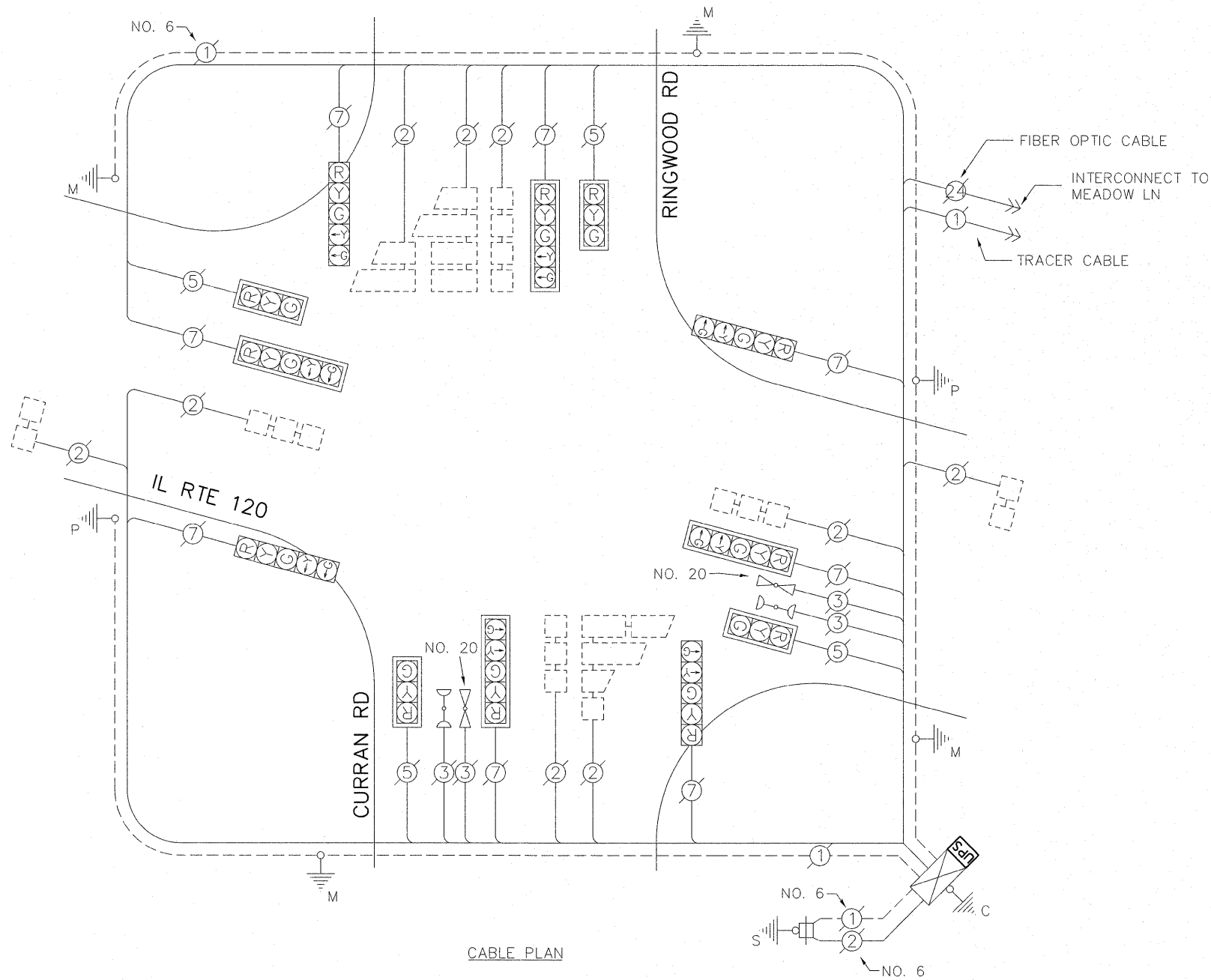


PHASE DESIGNATION DIAGRAM

EMERGENCY VEHICLE PREEMPTION SEQUENCE



EXISTING EMERGENCY VEHICLE PREEMPTORS		
EMERGENCY VEHICLE PREEMPTOR	3	4
MOVEMENT	←	



CABLE PLAN

I.D.O.T. TRAFFIC SIGNAL INSTALLATION ELECTRICAL SERVICE REQUIREMENTS					TOTAL WATTAGE
TYPE	NO. OF LAMPS	WATTAGE		% OPERATION	
SIGNAL (RED)	12	INCAND.	LED	0.50	102.00
(YELLOW)	12		25	0.25	75.00
(GREEN)	12		15	0.25	45.00
ARROW	16		12	0.10	19.20
PED. SIGNAL	-		25	1.00	-
CONTROLLER	1		100	1.00	100.00
ILLUM. SIGN	-		25	0.05	-
VIDEO SYSTEM	-		-	1.00	-
FLASHER				0.50	
ENERGY COSTS TO:			TOTAL =		341.20

CITY OF McHENRY
 333 SOUTH GREEN STREET
 McHENRY, IL 60050
 ENERGY SUPPLY: CONTACT: MIKE LENOX
 PHONE: (815) 490-2869
 COMPANY: COMMONWEALTH EDISON

FILE NAME =	USER NAME = plascencia	DESIGNED - IP	REVISED -
#FILEABBREV#	PLOT SCALE = 20,000' / in.	DRAWN - IP	REVISED -
	PLOT DATE = 10/27/2011	CHECKED - AW	REVISED -
		DATE - 10/25/2011	REVISED -

STATE OF ILLINOIS
 DEPARTMENT OF TRANSPORTATION

SCHEDULE OF QUANTITIES, CABLE PLAN, PHASE DESIGNATION DIAGRAM AND EMERGENCY VEHICLE PREEMPTION SEQUENCE
 IL RTE 120 AND RINGWOOD RD / CURRAN RD
 SCALE: 1" =

ITEM	UNIT	QUANTITY
MAINTENANCE OF EXISTING TRAFFIC SIGNAL INSTALLATION	EACH	1
MODIFY EXISTING CONTROLLER CABINET	EACH	1
UNINTERRUPTIBLE POWER SUPPLY SPECIAL	EACH	1

F.A.U. RTE.	SECTION	COUNTY	TOTAL SHEETS	SHEET NO.
-	2011-208-TS	McHENRY	57	49
				CONTRACT NO. 60R37

