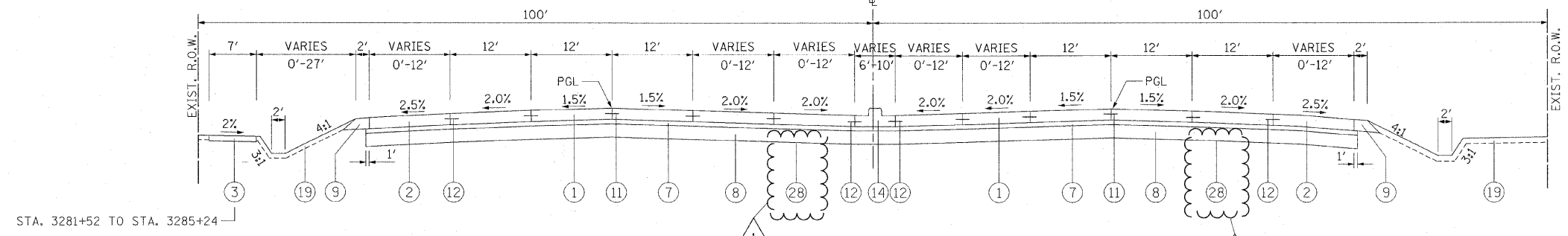


F.A.P. RTE.	SECTION	COUNTY	TOTAL SHEETS	SHEET NO.
307	130 R-2	DUPAGE, KANE	647	25
STA.	TO STA.			
FED. ROAD DIST. NO.	ILLINOIS	FED. AID PROJECT		

62410

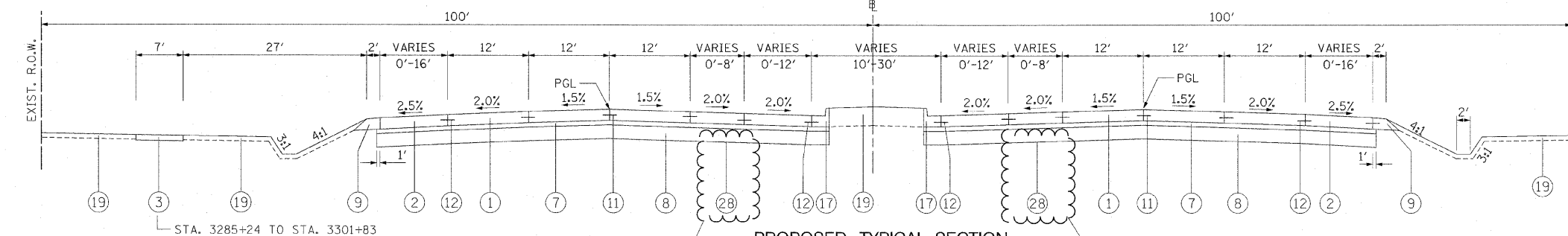
PROPOSED LEGEND:

- 1 PORTLAND CEMENT CONCRETE PAVEMENT 10" (JOINTED)
- 2 PORTLAND CEMENT CONCRETE SHOULDERS 10"
- 3 PORTLAND CEMENT CONCRETE SIDEWALK, 5"
- 4 HOT-MIX ASPHALT SURFACE COURSE, MIX "D", N50; 2"
- 5 HOT-MIX ASPHALT BINDER COURSE IL-19.0, N50; 2-1/4"
- 6 HOT-MIX ASPHALT BASE COURSE, 7"
- 7 STABILIZED SUB-BASE 4 1/2"
- 8 AGGREGATE SUBGRADE 12"
- 9 AGGREGATE SHOULDERS TYPE B, 10"
- 10 SUB-BASE GRANULAR MATERIAL, TYPE B 4"
- 11 #8 TIE BARS, 24" LONG AT 24" C-C
(INCLUDED IN PRICE FOR BID FOR PCC PAVEMENT - JOINTED)
- 12 #6 TIE BARS, 24" LONG AT 24" C-C
(INCLUDED IN PRICE FOR BID FOR CURB AND GUTTER OR PCC SHOULDER)
- 13 DRILL AND GROUT BARS (#8 TIE BARS, 24" LONG AT 24" C-C)
(INCLUDED IN PRICE FOR BID FOR PCC PAVEMENT)
- 14 CONCRETE MEDIAN TYPE SB-6.24 (GUTTER SLOPE =6%)
- 15 CONCRETE MEDIAN SURFACE, 4 INCH
- 16 SUB-BASE GRANULAR MATERIAL, TYPE B
- 17 COMBINATION CONCRETE CURB AND GUTTER, TYPE B-6.24
- 18 COMBINATION CONCRETE CURB AND GUTTER, TYPE B-9.24
- 19 SEE LANDSCAPING SHEETS FOR MIX SEEDING
- 23 CONCRETE PARAPET
- 24 MSE RETAINING WALL
- 25 CONCRETE MEDIAN TYPE SB-9.24 (GUTTER SLOPE =6%)
- 26 POLYMERIZED HOT MIX ASPHALT SURFACE COURSE, MIX "F", N90; 1-3/4"
- 27 POLYMERIZED LEVELING BINDER (MACHINE METHOD), IL-4.75, N-50; 3/4"
- 28 GEOTECHNICAL FABRIC FOR GROUND STABILIZATION



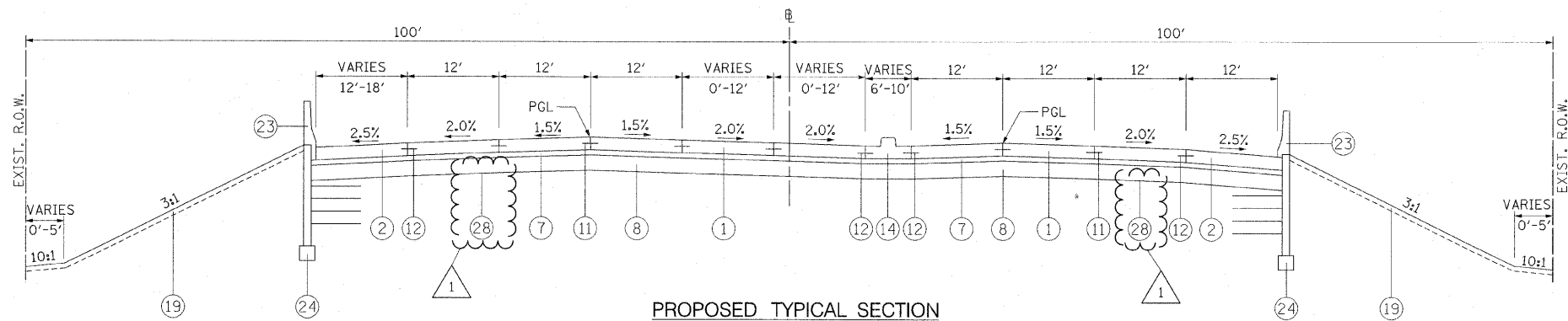
**PROPOSED TYPICAL SECTION
 NORTH AVENUE**

STA. 3280+14.00 TO STA. 3285+58.22
 STA. 3375+15.00 TO STA. 3378+88.39
 STA. 3385+70.00 TO STA. 3389+51.39
 STA. 3401+82.86 TO STA. 3405+38.60



**PROPOSED TYPICAL SECTION
 NORTH AVENUE**

STA. 3285+58.22 TO STA. 3347+35.06
 STA. 3367+57.06 TO STA. 3375+15.00
 STA. 3378+88.39 TO STA. 3385+70.00
 STA. 3389+51.39 TO STA. 3415+78.13



**PROPOSED TYPICAL SECTION
 NORTH AVENUE**

STA. 3347+35.06 TO STA. 3352+39.70

GUARDRAIL FROM STA. 3349+75.50 TO STA. 3350+69
 (IN PLACE OF MSE RETAINING WALL)



REVISIONS	
NAME	DATE
ADDENDUM NO. 1	12/23/11

ILLINOIS DEPARTMENT OF TRANSPORTATION
 F.A.P. ROUTE 307 (ILLINOIS ROUTE 64)

PROPOSED TYPICAL SECTIONS

SCALE: VERT: NONE
 HORIZ: NONE
 DATE: NOVEMBER 1, 2011
 DRAWN BY: JWM
 CHECKED BY: RMG

PRTYP-02