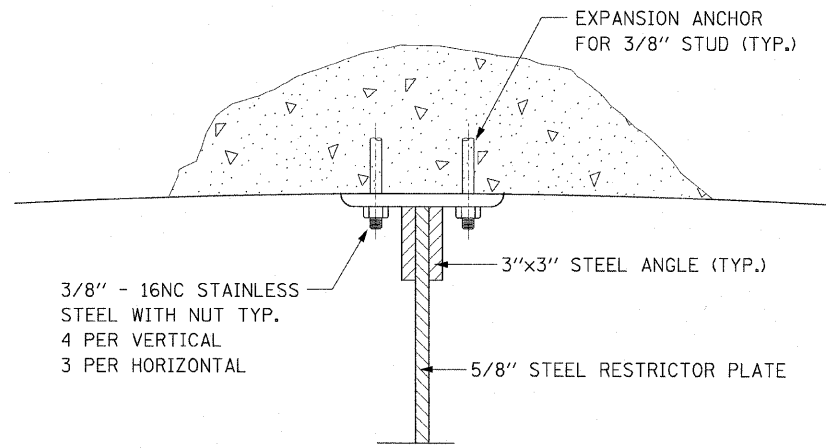


F.A.P. RTE.	SECTION	COUNTY	TOTAL SHEETS	SHEET NO.
307	130 R-2	DUPAGE, KANE	647	190
STA.		TO STA.		
FED. ROAD DIST. NO.		ILLINOIS FED. AID PROJECT		

62410

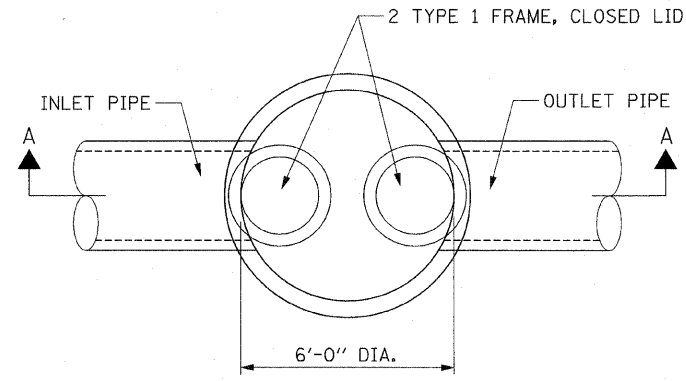


3/8" - 16NC STAINLESS STEEL WITH NUT TYP.
 4 PER VERTICAL
 3 PER HORIZONTAL

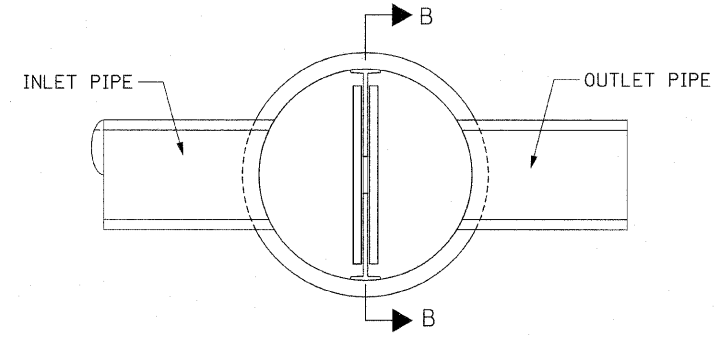
ANGLE FASTENER DETAIL

NOTES:

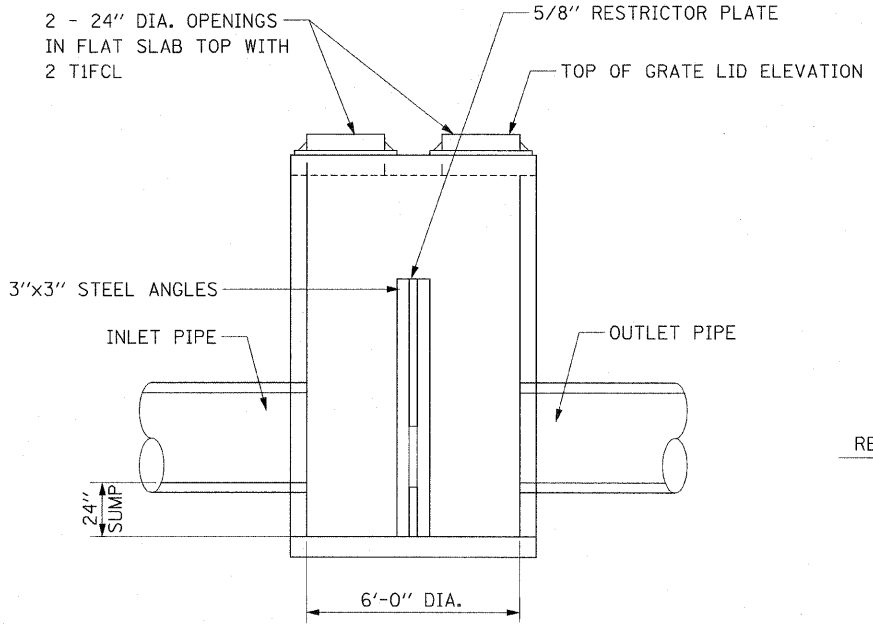
1. ALL STEEL ANGLES AND PLATE TO BE GALVANIZED AFTER FABRICATION.
2. ALL RESTRICTOR PLATES, ANGLES AND HARDWARE TO BE INCLUDED IN THE COST OF THE MANHOLE.



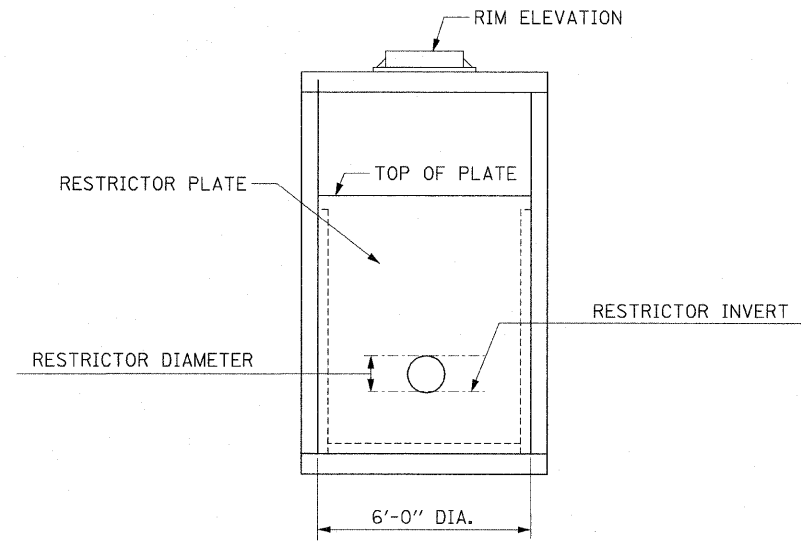
PLAN



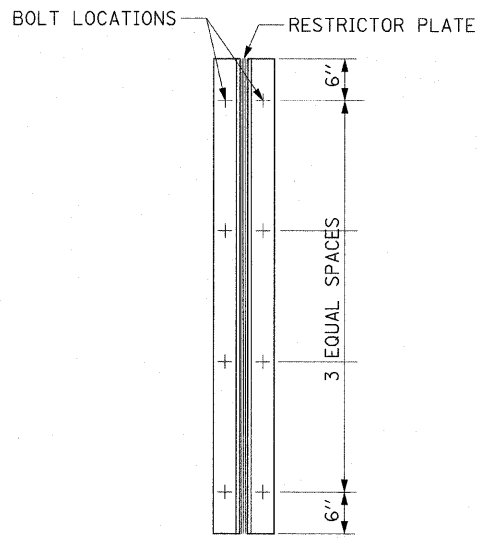
PLAN



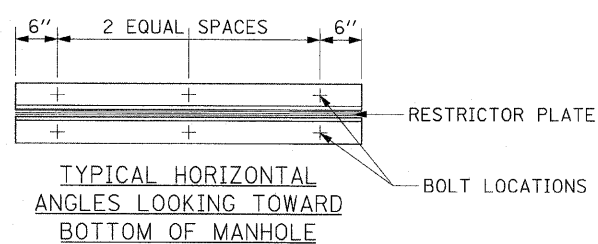
SECTION A-A



SECTION B-B



TYPICAL VERTICAL ANGLES LOOKING TOWARD MANHOLE WALL



TYPICAL HORIZONTAL ANGLES LOOKING TOWARD BOTTOM OF MANHOLE

TOTAL BOLTS REQUIRED: 22

NOTES:

1. ANGLES SHOULD BE 3"x3"x3/4"
2. VERTICAL ANGLES SHOULD EXTEND FROM THE BOTTOM OF THE RESTRICTOR PLATE TO THE TOP.
3. HORIZONTAL ANGLES SHOULD EXTEND FROM VERTICAL ANGLE TO VERTICAL ANGLE.

STEEL ANGLE BOLTING DETAILS

THIS WORK WILL BE PAID FOR AT THE CONTRACT UNIT PRICE PER EACH FOR: MANHOLES, TYPE A, 6'-DIAMETER, WITH 2 TYPE 1 FRAME, CLOSED LID, RESTRICTOR PLATE

STR. NO.	STATION	OFFSET	RESTRICTOR DIAMETER (INCHES)	RESTRICTOR INVERT	TOP OF PLATE ELEVATION	RIM ELEVATION
RST 1	9849+26	36.6' LT	27	757.50	761.50	764.15
RST 2	3288+00	55' RT	15	758.00	760.00	762.01
RST 3	3313+25	54' RT	18	753.50	756.50	758.76
RST 4	3338+75	53.5' RT	18	751.56	753.68	755.13
RST 5	3342+75	56.9' RT	24	752.07	754.43	755.76
RST 6	3366+90	68' RT	21	755.67	763.00	766.12
RST 7	3380+75	57' RT	21	753.54	757.17	759.39
RST 8	3409+50	55' RT	21	770.04	773.00	775.93

DRND-1



REVISIONS	
NAME	DATE
ADDENDUM NO. 1	12-23-11

ILLINOIS DEPARTMENT OF TRANSPORTATION
 F.A.P. ROUTE 307 (ILLINOIS ROUTE 64)

DRAINAGE DETAILS - MANHOLE WITH RESTRICTOR PLATE

SCALE: NONE
 DATE: NOVEMBER 1, 2011

DRAWN BY: AFC
 CHECKED BY: EBY