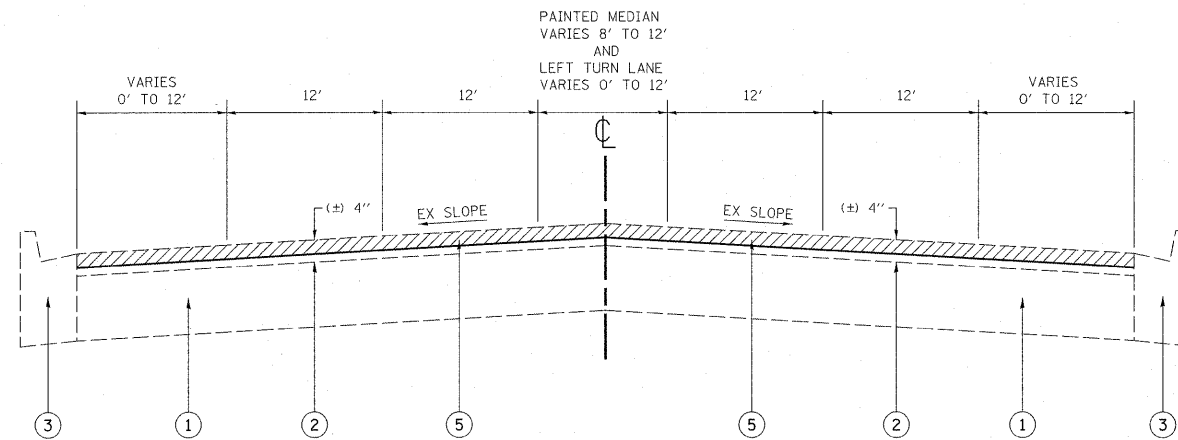


ILL RTE. 64



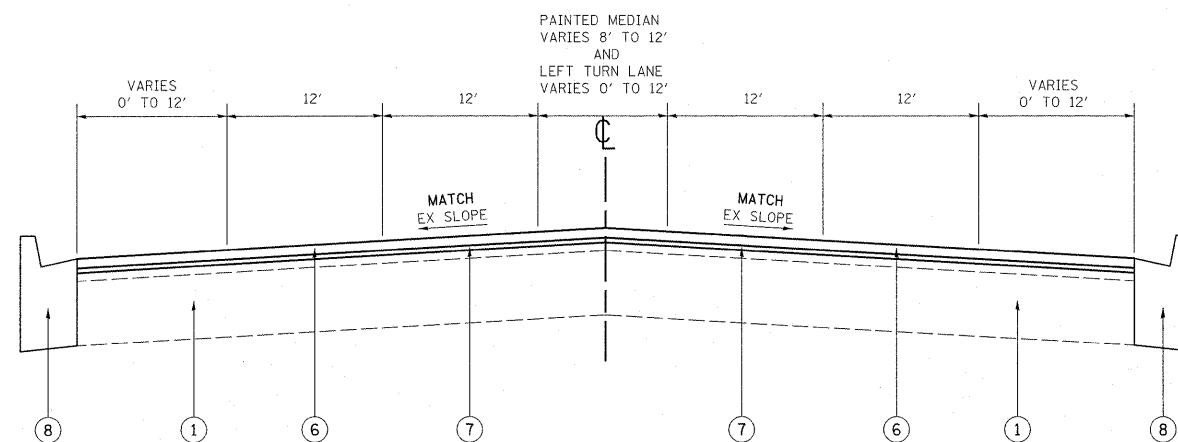
EXISTING TYPICAL SECTION
STA 24+17 TO STA 32+72

- LEGEND**
- ① EXISTING PCC PAVEMENT - (±) 10"
 - ② EXISTING HOT-MIX ASPHALT SURFACE COURSE (BEFORE MILLING) - (±) 4"
 - ③ EXISTING COMBINATION CONCRETE CURB AND GUTTER
 - ④ EXISTING MEDIAN
 - ⑤ PROPOSED HOT-MIX ASPHALT SURFACE REMOVAL, 2-1/2" (1-1/2" OF HOT-MIX ASPHALT TO REMAIN)
 - ⑥ PROPOSED POLYMERIZED HOT-MIX ASPHALT SURFACE COURSE, MIX "F", N90, 1-3/4"
 - ⑦ PROPOSED POLYMERIZED LEVELING BINDER (MM), IL-4.75, N50, 3/4"
 - ⑧ PROPOSED COMBINATION CONCRETE CURB AND GUTTER REMOVAL AND REPLACEMENT (LOCATIONS TO BE DETERMINED BY THE RESIDENT ENGINEER)
 - ⑨ PROPOSED PCC SURFACE REMOVAL, VARIABLE DEPTH

NOTES:

A) THE CONTRACTOR SHALL PATCH FIRST BEFORE MILLING.

ILL RTE. 64



PROPOSED TYPICAL SECTION
STA 24+17 TO STA 32+72

HOT-MIX ASPHALT MIXTURE REQUIREMENTS		
MIXTURE USES	MIXTURE TYPE	AIR Voids @ Ndes
ROADWAY	POLYMERIZED HOT-MIX ASPHALT SURFACE COURSE, MIX "F", N90, (IL-9.5 mm)	4% @ 90 GYR
	POLYMERIZED LEVELING BINDER (MACHINE METHOD), IL-4.75, N50	4% @ 50 GYR
PATCHES	CLASS D PATCHES (HMA BINDER IL-19 mm)	4% @ 70 GYR
	HMA REPLACEMENT OVER PATCHES (HMA BINDER IL-19 mm)	4% @ 70 GYR
PARTIAL DEPTH PATCHING	LEVELING BINDER (MACHINE METHOD), N70, (IL-9.5 mm)	4% @ 70 GYR

NOTE 1: THE UNIT WEIGHT USED TO CALCULATE ALL HMA SURFACE MIXTURES IS 112 LBS/SQYD/IN.

NOTE 2: THE "AC TYPE" FOR POLYMERIZED HMA MIXES SHALL BE "SBS/SBR PG 70 -22" AND FOR NON-POLYMERIZED HMA THE "AC TYPE" SHALL BE "PG 64 -22" UNLESS MODIFIED BY DISTRICT ONE SPECIAL PROVISIONS. FOR "PERCENT OF RAP" SEE DISTRICT ONE SPECIAL PROVISIONS.

FILE NAME =	USER NAME = velichkovv	DESIGNED -	REVISED -
ct:\pw_work\pwsdot\velichkovv\d0187716\ILL64-sht-plan.dgn		DRAWN -	REVISED -
12/2/2011	PLOT SCALE = 50.0000' / in.	CHECKED -	REVISED -
	PLOT DATE = 12/2/2011	DATE -	REVISED -

STATE OF ILLINOIS
DEPARTMENT OF TRANSPORTATION

ILL 64 (DUNHAM RD. TO 38TH AVE.) EXISTING AND PROPOSED TYPICAL SECTIONS			
SCALE: NONE	SHEET NO. OF SHEETS	STA. TO STA.	

F.A.P. RTE. 307	SECTION 130 R-2	COUNTY KANE	TOTAL SHEETS 647	SHEET NO. 16
CONTRACT NO. 62410				ILLINOIS FED. AID PROJECT