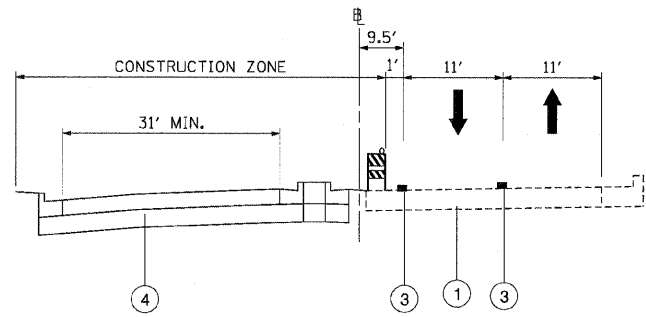
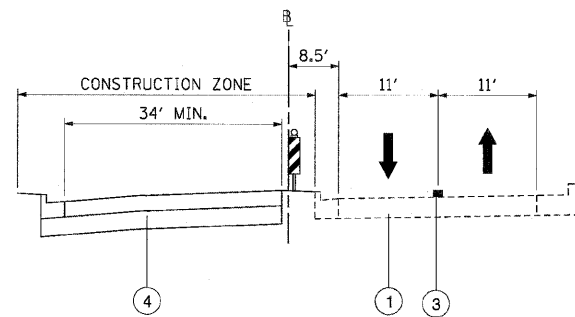


F.A.P. RTE.	SECTION	COUNTY	TOTAL SHEETS	SHEET NO.
307	130 R-2	DUPAGE, KANE	647	101
STA.		TO STA.		
FED. ROAD DIST. NO.		ILLINOIS FED. AID PROJECT		

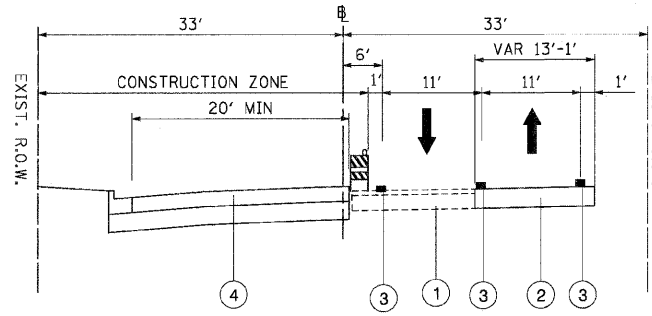
62410



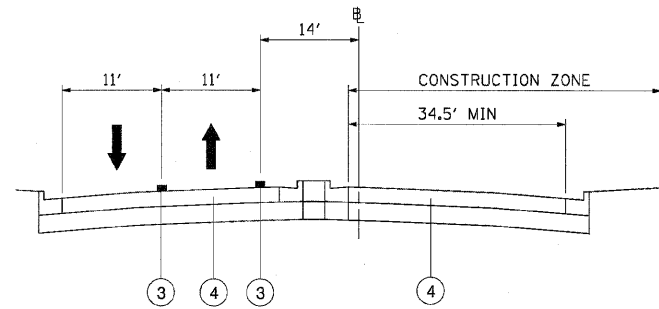
CONSTRUCTION STAGING TYPICAL SECTION
PHEASANT RUN, STAGE 1
 STA. 200+25 TO STA. 201+30



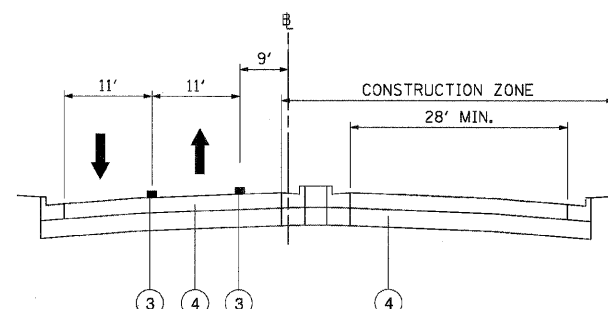
CONSTRUCTION STAGING TYPICAL SECTION
PHEASANT RUN, STAGE 1
 STA. 202+50 TO STA. 203+95



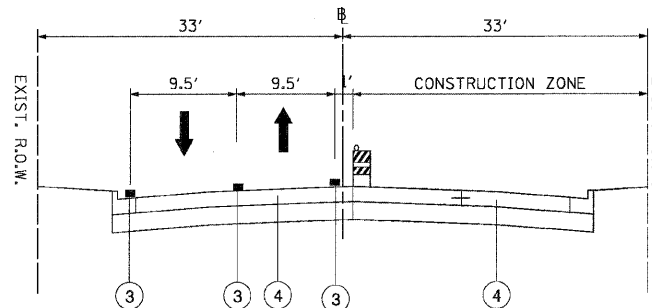
CONSTRUCTION STAGING TYPICAL SECTION
OAK ROAD, STAGE 1



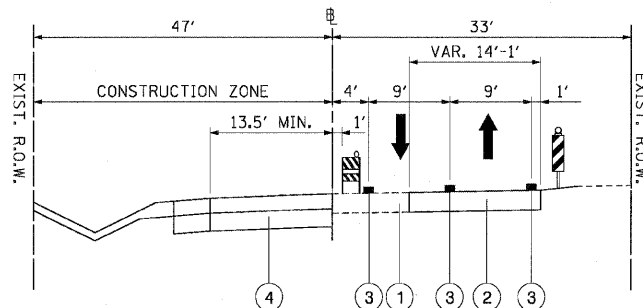
CONSTRUCTION STAGING TYPICAL SECTION
PHEASANT RUN, STAGE 1A
 STA. 200+25 TO STA. 201+30



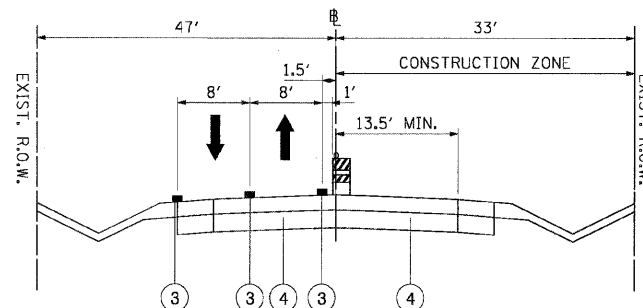
CONSTRUCTION STAGING TYPICAL SECTION
PHEASANT RUN, STAGE 1A
 STA. 202+50 TO STA. 203+95



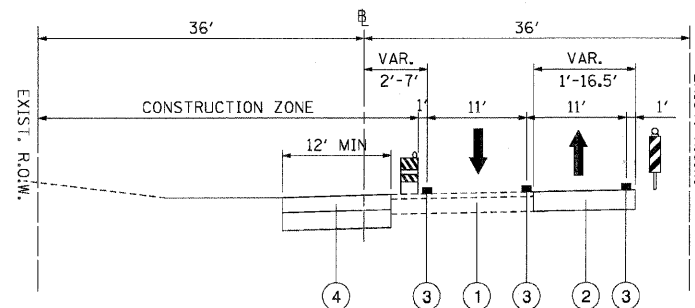
CONSTRUCTION STAGING TYPICAL SECTION
OAK ROAD, STAGE 1A



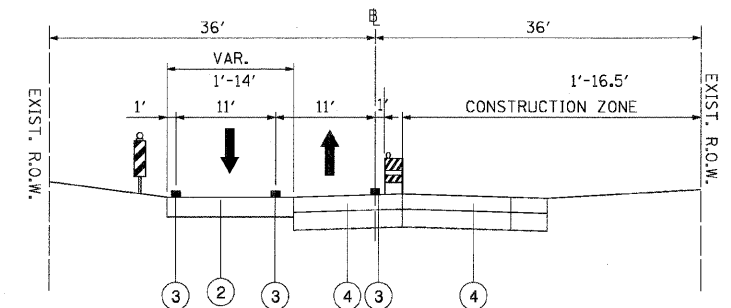
CONSTRUCTION STAGING TYPICAL SECTION
ELM ROAD, STAGE 1



CONSTRUCTION STAGING TYPICAL SECTION
ELM ROAD, STAGE 1A



CONSTRUCTION STAGING TYPICAL SECTION
REQUE ROAD, STAGE 1



CONSTRUCTION STAGING TYPICAL SECTION
REQUE ROAD, STAGE 1A

M.O.T. LEGEND:

- ① EXISTING PAVEMENT
- ② TEMPORARY PAVEMENT
- ③ TEMPORARY PAVEMENT MARKING
- ④ PROPOSED PAVEMENT
- ⑤ TEMPORARY BARRIER WALL
- ⑥ PROPOSED MSE WALL
- ⑦ TEMPORARY MSE WALL

REVISIONS	
NAME	DATE

ILLINOIS DEPARTMENT OF TRANSPORTATION
 F.A.P. ROUTE 307 (ILLINOIS ROUTE 64)
**SUGGESTED STAGES OF
 CONSTRUCTION AND
 TRAFFIC CONTROL**
TYPICAL SECTIONS - STAGE 1 & 1A
 SCALE: VERT: NONE
 HORIZ: NONE
 DATE: NOVEMBER 1, 2011
 DRAWN BY: AFC
 CHECKED BY: NJH

