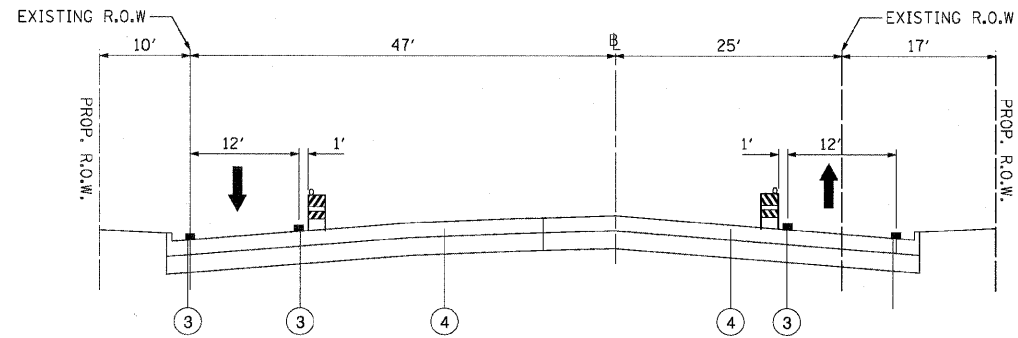
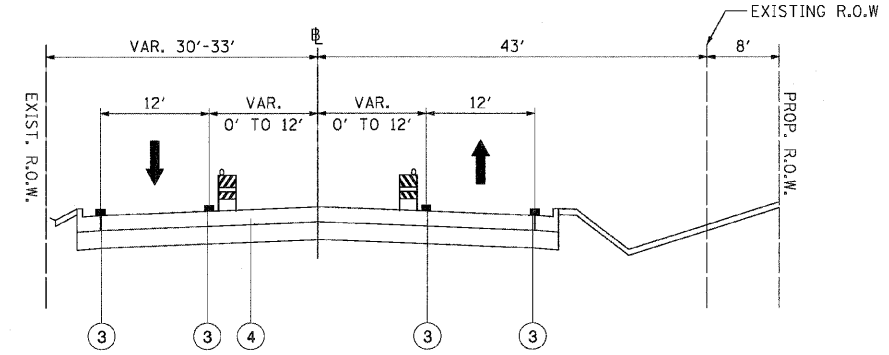


F.A.P. RTE.	SECTION	COUNTY	TOTAL SHEETS	SHEET NO.
307	130 R-2	DUPAGE, KANE	647	104
STA.		TO STA.		
FED. ROAD DIST. NO.		ILLINOIS FED. AID PROJECT		

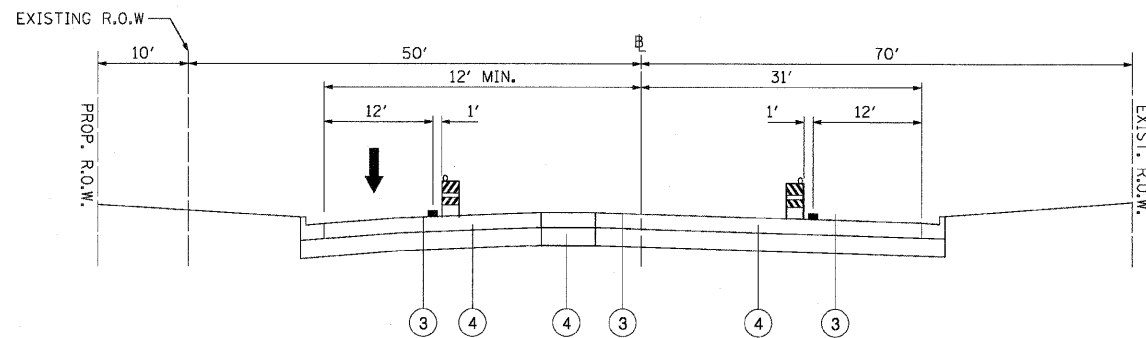
62410



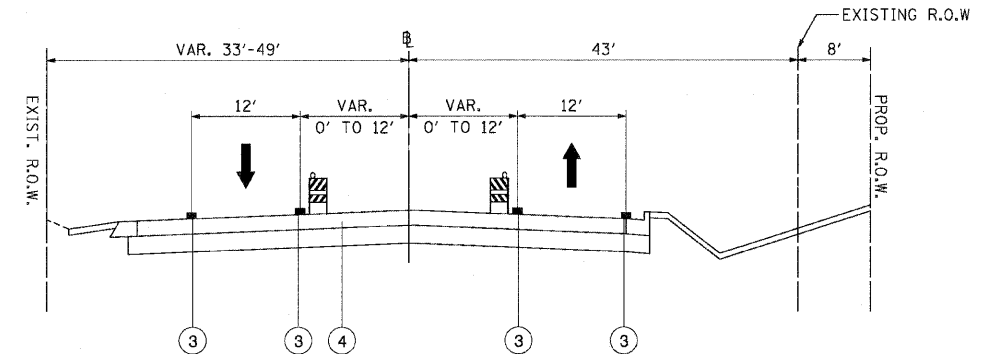
CONSTRUCTION STAGING TYPICAL SECTION
KAUTZ ROAD, STAGE 2
 STA. 9842+50 TO STA. 9850+00



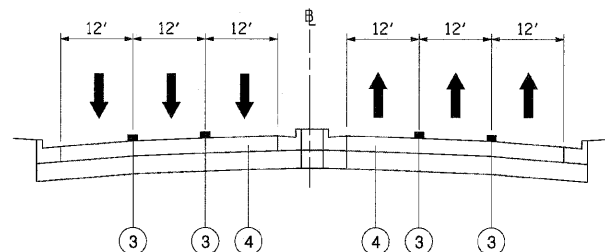
CONSTRUCTION STAGING TYPICAL SECTION
POWIS ROAD, STAGE 2
 STA. 6579+62 TO STA. 6583+63



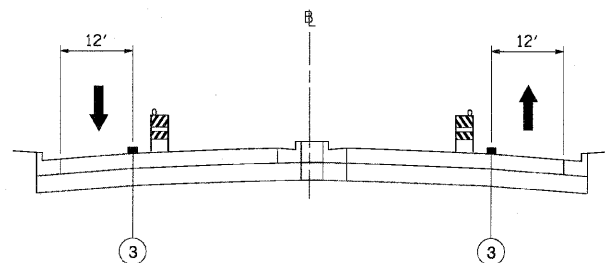
CONSTRUCTION STAGING TYPICAL SECTION
SMITH ROAD, STAGE 2
 STA. 9850+92 TO STA. 9856+43



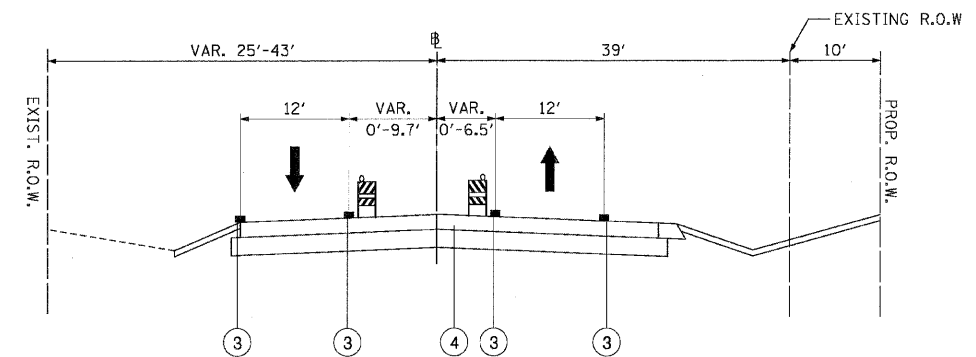
CONSTRUCTION STAGING TYPICAL SECTION
POWIS ROAD, STAGE 2
 STA. 6583+63 TO STA. 6590+87.84



CONSTRUCTION STAGING TYPICAL SECTION
PHEASANT RUN, STAGE 2



CONSTRUCTION STAGING TYPICAL SECTION
PHEASANT RUN, STAGE 2A



CONSTRUCTION STAGING TYPICAL SECTION
POWIS ROAD, STAGE 2
 STA. 6593+73 TO STA. 6602+08.41

M.O.T. LEGEND:

- ① EXISTING PAVEMENT
- ② TEMPORARY PAVEMENT
- ③ TEMPORARY PAVEMENT MARKING
- ④ PROPOSED PAVEMENT
- ⑤ TEMPORARY BARRIER WALL
- ⑥ PROPOSED MSE WALL
- ⑦ TEMPORARY MSE WALL

REVISIONS	
NAME	DATE

ILLINOIS DEPARTMENT OF TRANSPORTATION
 F.A.P. ROUTE 307 (ILLINOIS ROUTE 64)
**SUGGESTED STAGES OF
 CONSTRUCTION AND
 TRAFFIC CONTROL**
TYPICAL SECTIONS - STAGE 2 & 2A
 VERT: NONE
 SCALE: HORIZ: NONE
 DATE: NOVEMBER 1, 2011
 DRAWN BY: AFC
 CHECKED BY: NJH

