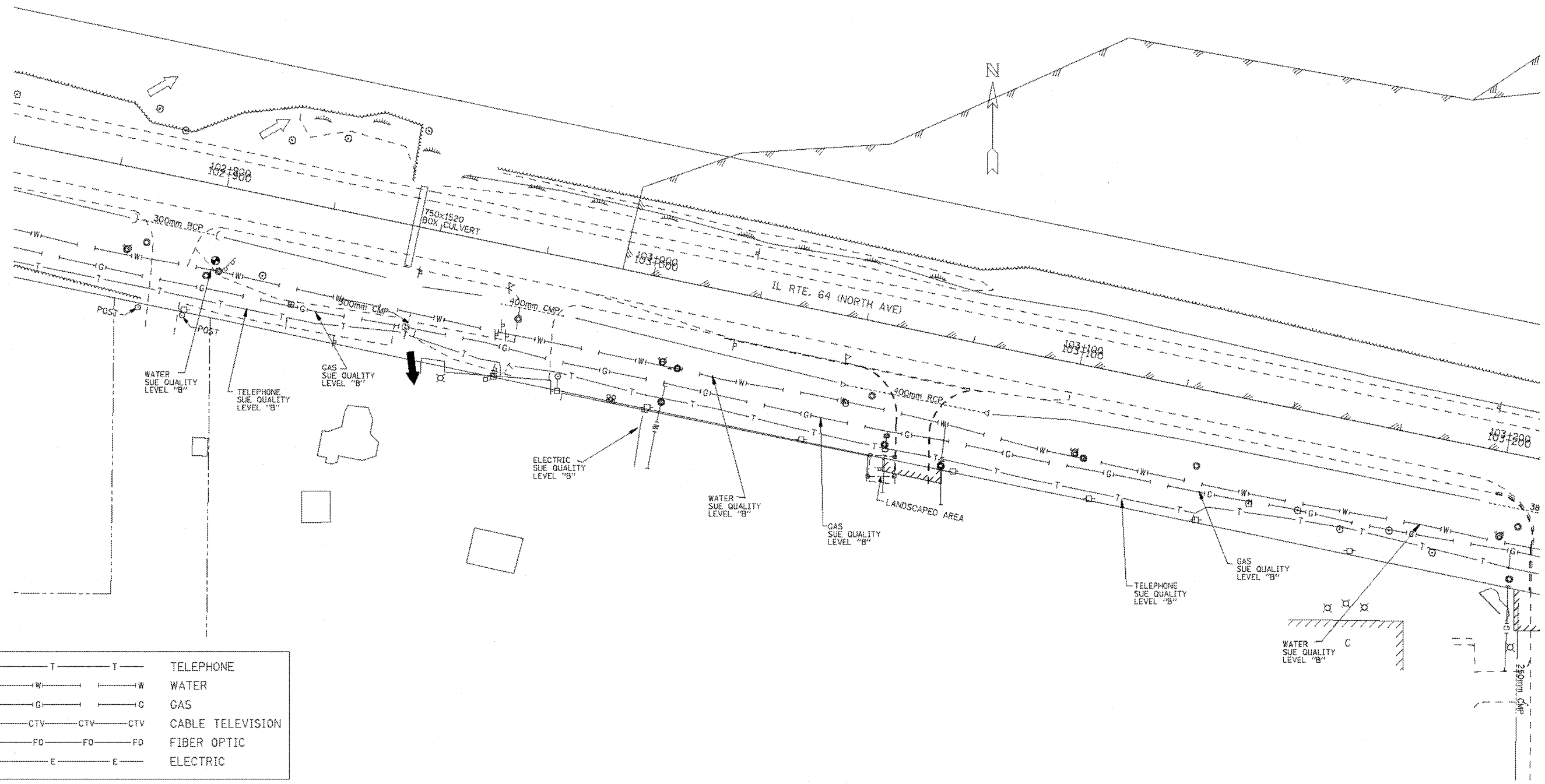


F.A.P. RTE.	SECTION	COUNTY	TOTAL SHEETS	SHEET NO.
64	130R-2	DU PAGE	16	212
STA. 102+850		TO STA. 103+200		
FED. ROAD DIST. NO.		ILLINOIS FED. AID PROJECT		



— T — T —	TELEPHONE
— W — W —	WATER
— G — G —	GAS
— CTV — CTV —	CABLE TELEVISION
— FO — FO —	FIBER OPTIC
— E — E —	ELECTRIC

TBE GROUP, INC.
 CIVIL ENGINEERING * TRANSPORTATION * ENVIRONMENTAL
 * PLANNING * UTILITY ENGINEERING/LOCATING
 SOUTHERN REGION: FL, GA, SC, NC
 NORTHERN REGION: IL, IN, MI, OH, MD, NJ, NY
 PA, VA, CANADA
 WESTERN REGION: AZ, NV, NM, TX, CA, OR, UT, WA

WO : IL09500128 & IL09500135
 SUE Quality Level "A" : Test Holes
 SUE Quality Level "B" : Designating



205 W. WACKER DRIVE
 SUITE 1020
 CHICAGO, IL 60608
 (312) 704-1970

REVISIONS		ILLINOIS DEPARTMENT OF TRANSPORTATION
NAME	DATE	
		IL RTE 64 (NORTH AVE.) WEST OF IL RT 59 TO KAUTZ RD.
SCALE : 1:500		DRAWN BY - JAC
DATE - SOL "B" 7/5/02		CHECKED BY - RLC