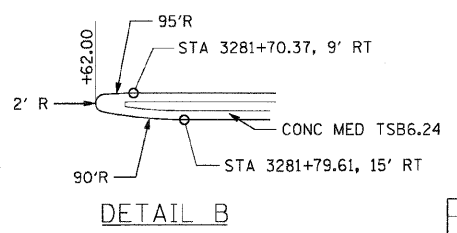
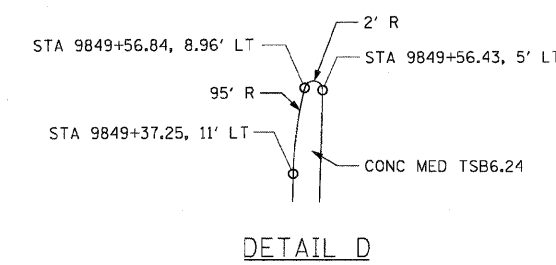
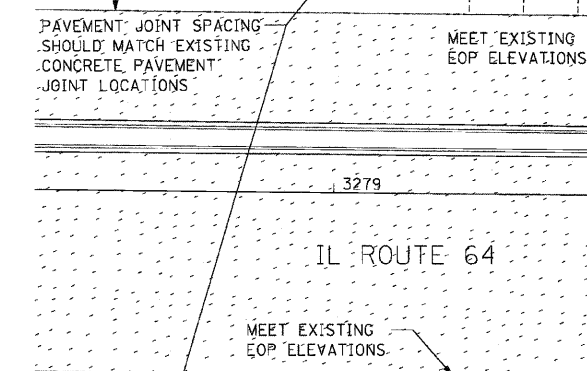
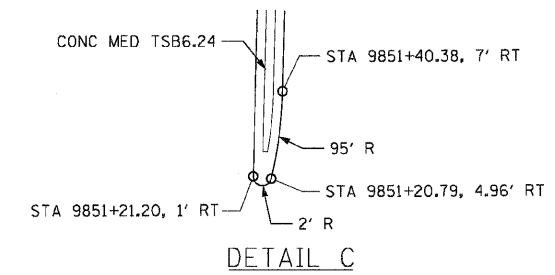
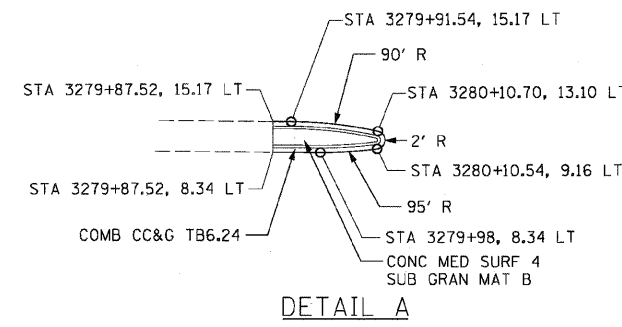
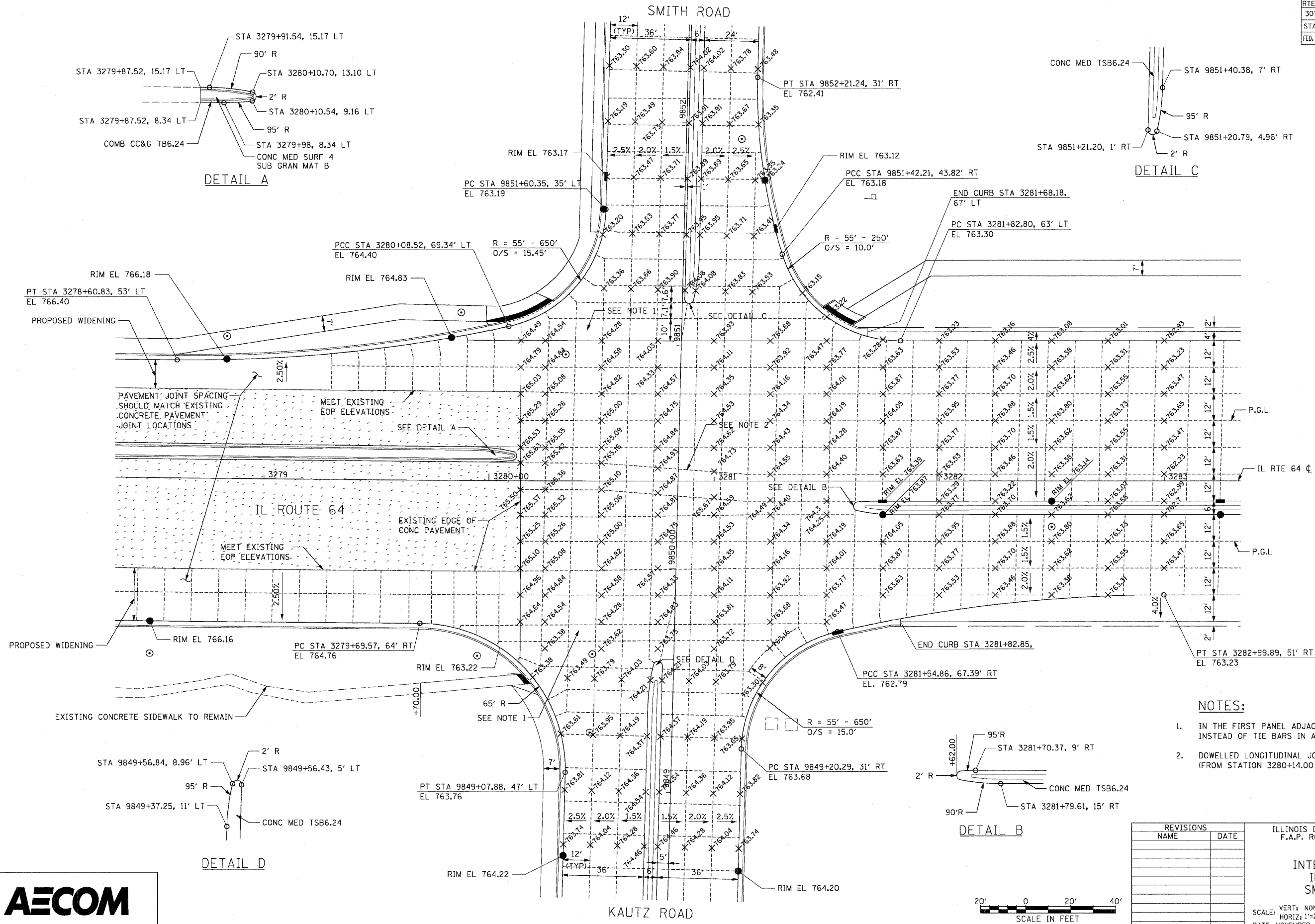


F.A.P. RTE.	SECTION	COUNTY	TOTAL SHEETS	SHEET NO.
307	130 R-2	DUPAGE, KANE	647	240
STA.		TO STA.		
FED. ROAD DIST. NO.		ILLINOIS FED. AID PROJECT		

62410



- NOTES:**
1. IN THE FIRST PANEL ADJACENT TO MAINLINE, USE DOWEL BARS INSTEAD OF TIE BARS IN ACCORDANCE WITH DETAIL BD52
 2. DOWELLED LONGITUDINAL JOINT FROM MEDIAN TO MEDIAN (FROM STATION 3280+14.00 TO STATION 3286+39.13).

REVISIONS	
NAME	DATE

ILLINOIS DEPARTMENT OF TRANSPORTATION
 F.A.P. ROUTE 307 (ILLINOIS ROUTE 64)

INTERSECTION DETAILS
 IL ROUTE 64 AND
 SMITH/KAUTZ ROAD

SCALE: VERT: NONE
 HORIZ: 1"=20'
 DATE: NOVEMBER 1, 2011

DRAWN BY: AFC
 CHECKED BY: NJH

