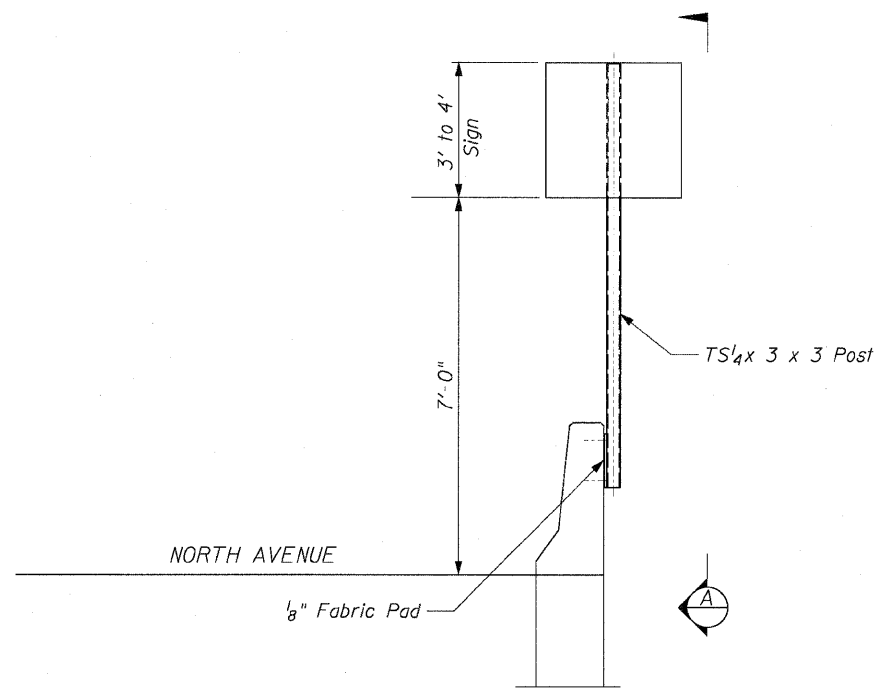


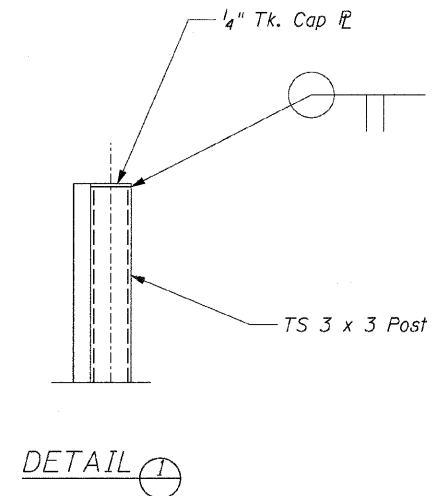
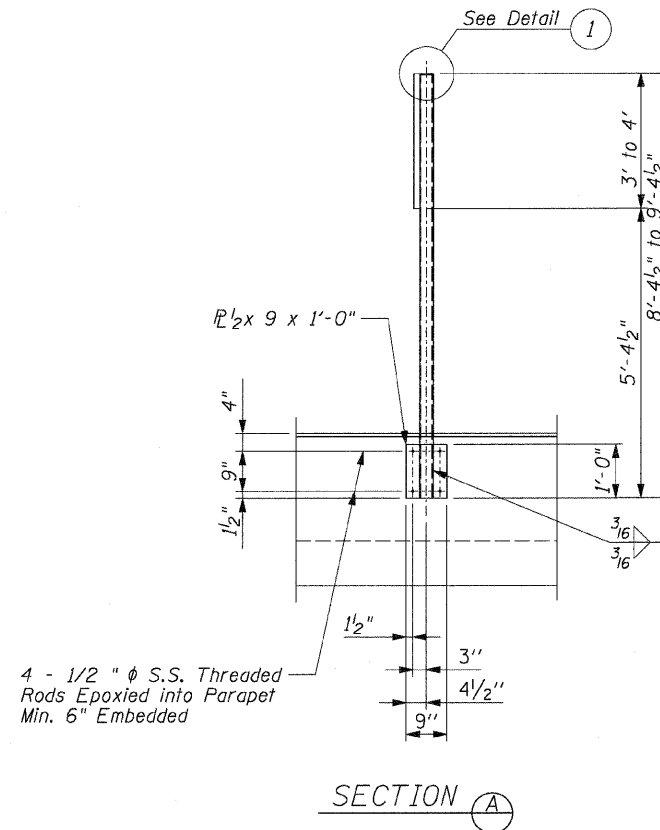
F.A.P. RTE.	SECTION	COUNTY	TOTAL SHEETS	SHEET NO.
307	130 R-2	DUPAGE, KANE	647	309
STA.	TO STA.			
FED. ROAD DIST. NO.	ILLINOIS	FED. AID PROJECT		

62410

WALL MOUNTED SIGN SUPPORT FOR TYPE 1 OR 2 PANEL DETAILS



BARRIER WALL SIGN POST MOUNTING
 ELEVATION



NOTE

When drilling and epoxy grouting the anchor rods, the Contractor shall use the capsule or the adhesive cartridge type anchor rods that have been previously tested and given a prior approval by the Department. The Contractor shall install these anchor rods in pre-drilled holes according to the manufacturer's recommendations and procedures. The capsule or the adhesive cartridge shall be sealed with pre-measured amounts of the adhesive chemical.

PSN-18



REVISIONS		ILLINOIS DEPARTMENT OF TRANSPORTATION F.A.P. ROUTE 307 (ILLINOIS ROUTE 64)
NAME	DATE	
		WALL MOUNTED SIGN SUPPORT FOR TYPE 1 OR 2 PANEL DETAILS

SCALE: VERT: NONE
 HORIZ: NONE
 DATE: MAY 13, 2011

DRAWN BY: JWM
 CHECKED BY: NJH