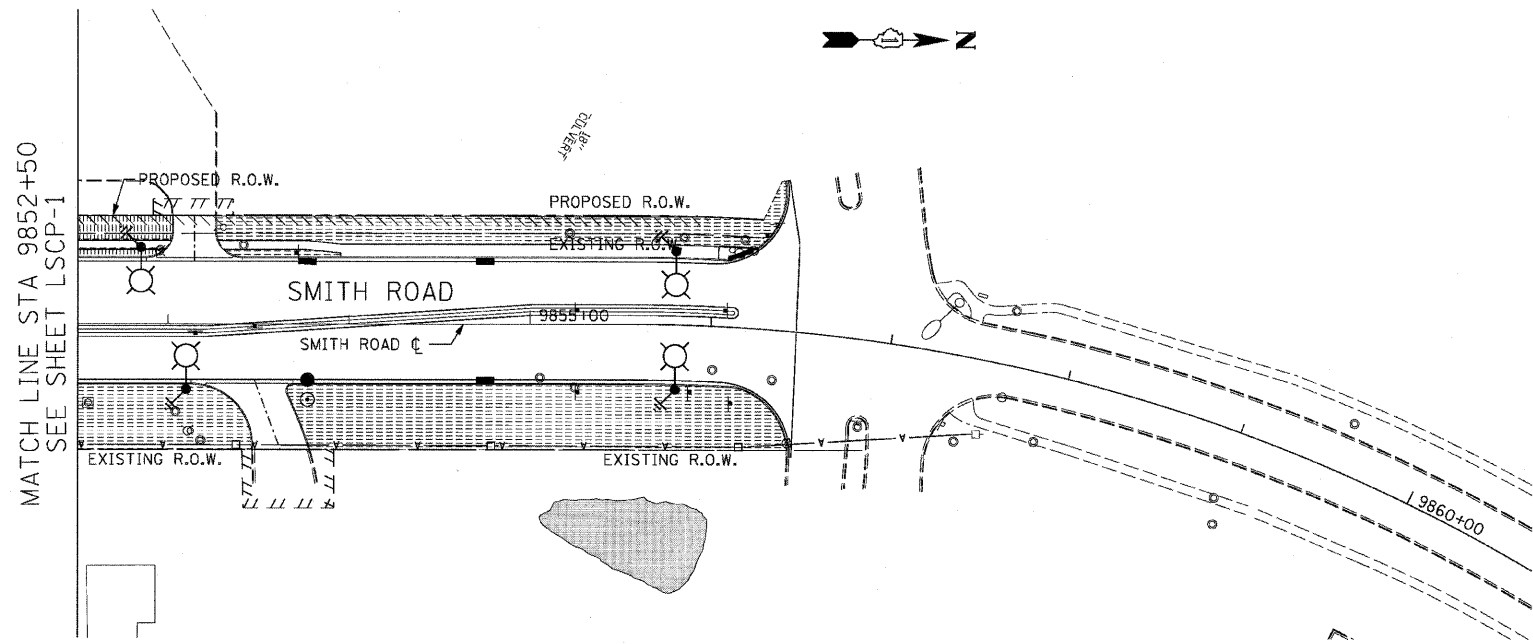



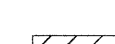
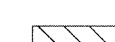



| F.A.P. RTE. | SECTION | COUNTY | TOTAL SHEETS | SHEET NO. |
|------------------------------|---------|---------------------------|--------------|-----------|
| 307 | 130 R-2 | DUPAGE, KANE | 647 | 319 |
| STA. 9840+94 TO STA. 9856+83 | | | | |
| FED. ROAD DIST. NO. | | ILLINOIS FED. AID PROJECT | | |

62410

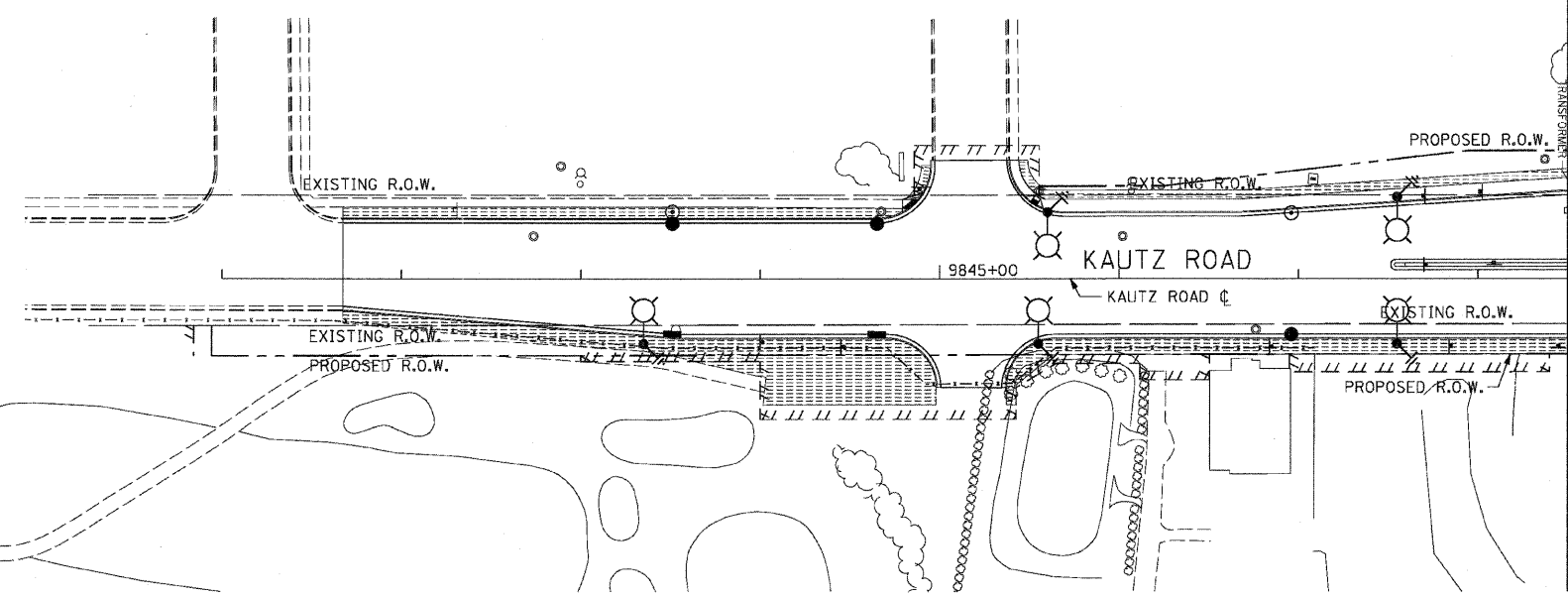


LEGEND:

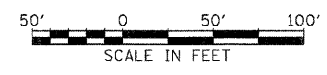
-  FURNISHING AND PLACING TOPSOIL, 4" AND SEEDING CLASS 2A EROSION CONTROL BLANKET
-  FURNISHING AND PLACING TOPSOIL, 4" AND SODDING, SALT TOLERANT EROSION CONTROL BLANKET
-  FURNISHING AND PLACING TOPSOIL, 24" AND SEEDING CLASS 2A EROSION CONTROL BLANKET
-  COMPOST, 2" SEEDING CLASS 4 (PRAIRIE GRASS) EROSION CONTROL BLANKET
-  COMPOST, 2" SEEDING CLASS 4B (MODIFIED) WETLAND MIX EROSION CONTROL BLANKET
-  SELECTIVE MOWING STAKE WITH SIGN

MATCH LINE STA 9852+50
SEE SHEET LSCP-1

MATCH LINE STA 9848+50
SEE SHEET LSCP-1



LSCP-10



| REVISIONS | |
|-----------|------|
| NAME | DATE |
| | |
| | |
| | |
| | |
| | |
| | |
| | |
| | |
| | |
| | |

ILLINOIS DEPARTMENT OF TRANSPORTATION
 F.A.P. ROUTE 307 (ILLINOIS ROUTE 64)

LANDSCAPING PLAN
 SMITH / KAUTZ ROAD
 STA. 9841+67.29 TO STA. 9856+83

VERT: NONE
 SCALE: HORIZ: 1"=50'
 DATE: MAY 13, 2011

DRAWN BY: RMG
 CHECKED BY: JWM