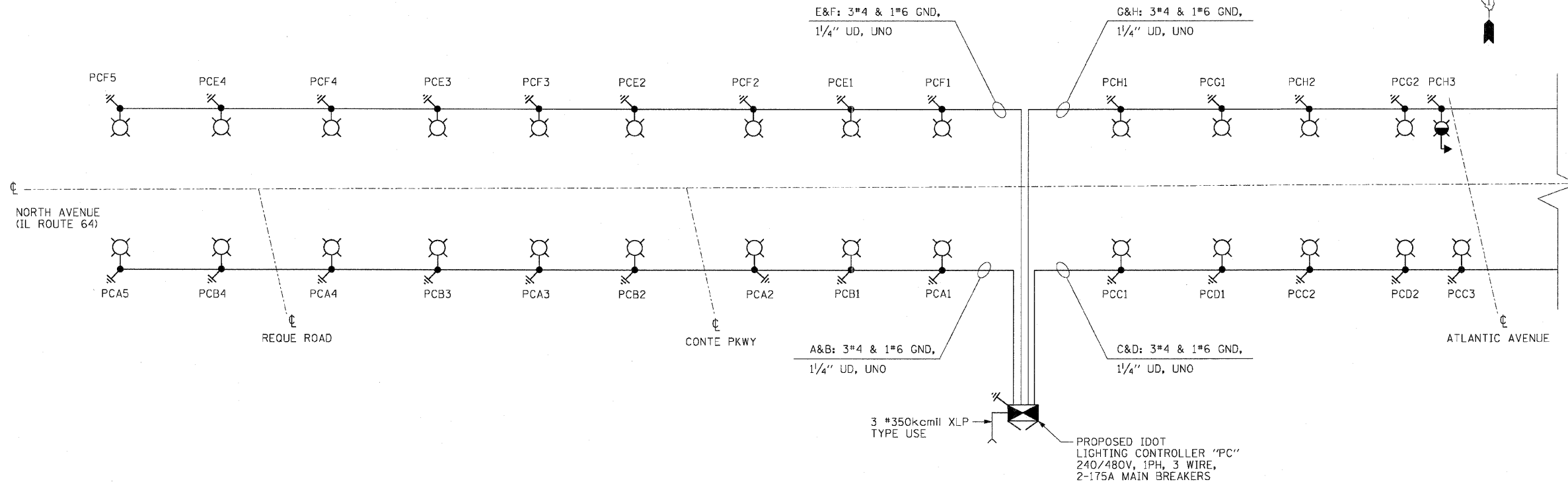


F.A.P. RTE.	SECTION	COUNTY	TOTAL SHEETS	SHEET NO.
307	130 R-2	DUPAGE, KANE	647	427
STA.		TO STA.		
FED. ROAD DIST. NO.		ILLINOIS FED. AID PROJECT		

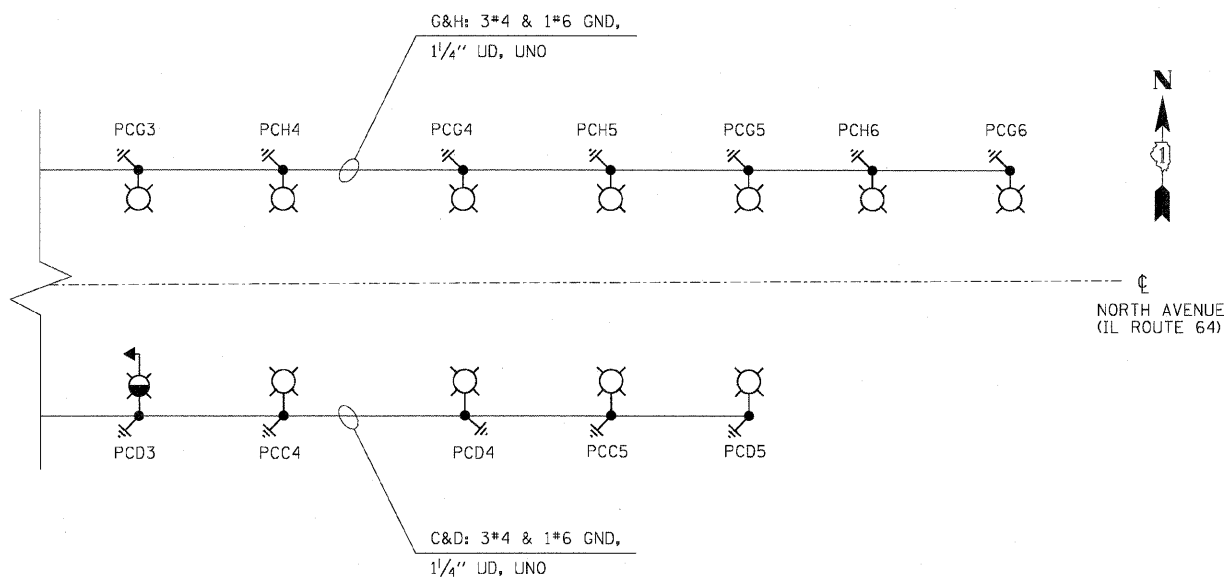
62410



**LEGEND**

- LIGHTING UNIT:  
47.5 FT. M.H., 15 FT. M.A.,  
310W HPS M-C-III LUMINAIRE,  
9" BREAKAWAY TRANSFORMER BASE
- COMBINATION TRAFFIC SIGNAL AND  
LUMINAIRE LIGHTING UNIT:  
45 FT. M.H., 15 FT. M.A.,  
310W HPS M-C-III LUMINAIRE
- LIGHTING CONTROLLER CABINET
- GROUND ROD
- ELECTRIC UTILITY SERVICE

**SINGLE LINE DIAGRAM  
 LIGHTING CONTROLLER "PC"**  
 NOT TO SCALE



LOAD TABLE LIGHTING CONTROLLER "PC"					
RED PHASE			BLACK PHASE		
CIRCUIT	AMPERES	WATTS	CIRCUIT	AMPERES	WATTS
A	8.5	2040	B	6.8	1632
C	8.5	2040	D	8.5	2040
E	6.8	1632	F	8.5	2040
G	10.2	2448	H	10.2	2448
I	-	-	J	-	-
K	-	-	L	-	-
M	-	-	N	-	-
O	-	-	P	-	-

TOTAL LOAD=16,320 WATTS

E-13

REVISIONS	
NAME	DATE

ILLINOIS DEPARTMENT OF TRANSPORTATION  
 F.A.P. ROUTE 307 (ILLINOIS ROUTE 64)

**SINGLE LINE DIAGRAM  
 LIGHTING CONTROLLER "PC"**

SCALE: NONE  
 DATE: NOVEMBER 1, 2011  
 DRAWN BY: HR  
 CHECKED BY: JPC

