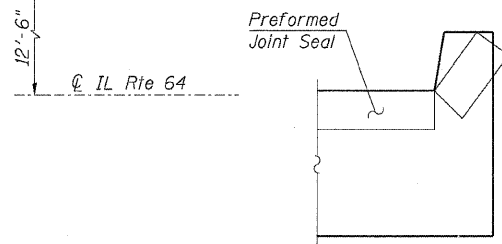
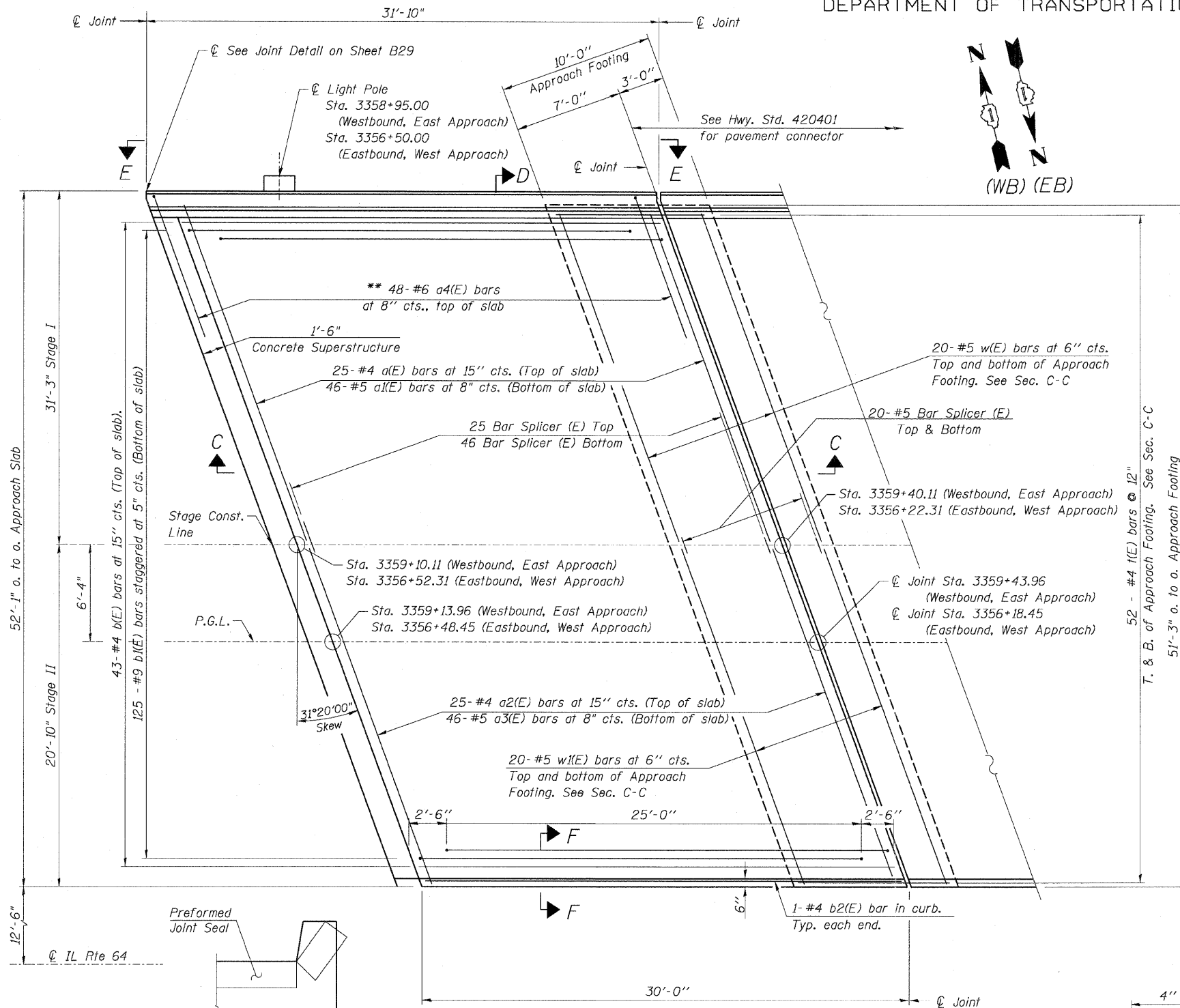


STATE OF ILLINOIS
 DEPARTMENT OF TRANSPORTATION

F.A.P. RTE.	SECTION	COUNTY	TOTAL SHEETS	SHEET NO.
307	130 R-2	DUPAGE, KANE	647	469
STA. 3356+37.74		TO STA. 3359+24.72		
FED. ROAD DIST. NO.		ILLINOIS FED. AID PROJECT		

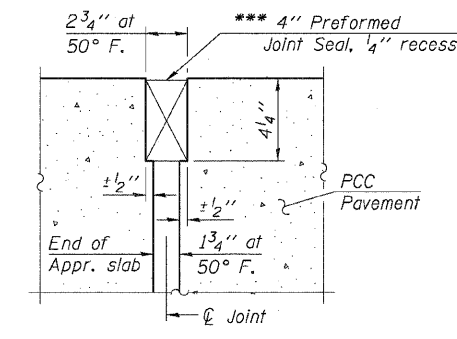
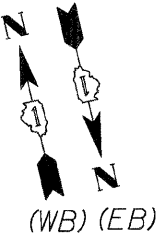
62410

Notes:
 See Sheet B28 for Sections C-C & D-D and View E-E, a(E) and a1(E) bar spacings measured along ϕ Rdwy.

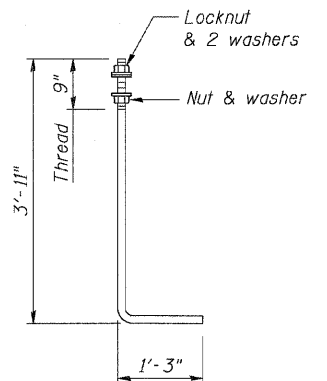


VIEW F-F
 Angle Preformed Joint Seal at 45° at curbs when req'd for drainage.

* Tilt #9 b1(E) bars as required to maintain clearance.
 ** Space to miss a(E) bars, typ. each parapet.



*** Cost included with Concrete Superstructure.
 RIGID PAVEMENT
 DETAIL A
 Dimensions are at rt. L to Joint.



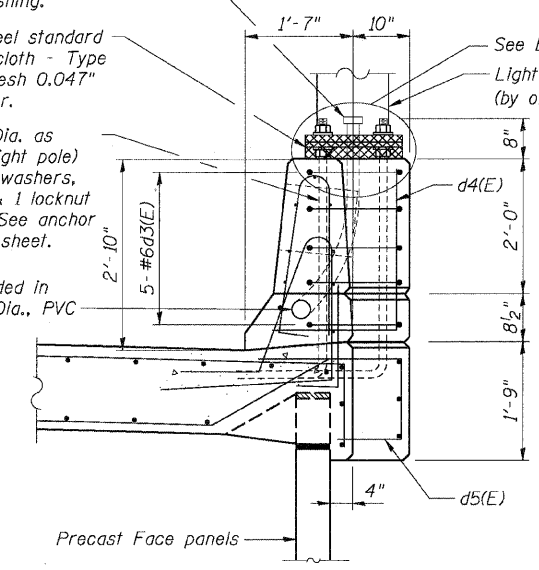
ANCHOR ROD
 Diameter as specified for light poles (ASTM F 1554 Grade 105)

Thread and cap end of conduit. When ready for wiring, replace cap with bushing.

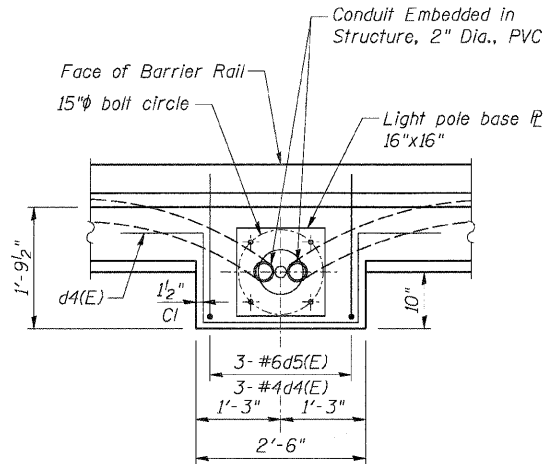
Stainless steel standard grade wire cloth - Type 304, 4x4 mesh 0.047" wire diameter.

Anchor rods (Dia. as specified for light pole) Provide 3 flat washers, 1 regular nut & 1 locknut for each rod. See anchor rod detail this sheet.

Conduit Embedded In Structure, 2" Dia., PVC

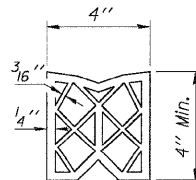


SECTION



PLAN

Note: Cost of Anchor Rods is included in the cost of Concrete Superstructure.



PREFORMED JOINT SEAL

LIGHT POLE MOUNTED ON CONCRETE BARRIER RAIL

REVISIONS	
NAME	DATE

F.A.P. ROUTE 307 ILLINOIS ROUTE 64 (NORTH AVENUE) OVER E.J.&E. AND U.P. R.R. APPROACH SLABS I STRUCTURE NUMBER 022-0190 FAP 307 SECTION 130 R-2 DUPAGE COUNTY STA. 3357+81.21
 SCALE: None DRAWN BY: MRK
 DATE: MAY 13, 2011 CHECKED BY: MJP

Sheet B26 of 56

