

STATE OF ILLINOIS
 DEPARTMENT OF TRANSPORTATION

F.A.P. RTE.	SECTION	COUNTY	TOTAL SHEETS	SHEET NO.
307	130 R-2	DUPAGE, KANE	647	486
STA. 3356+37.74 TO STA. 3359+24.72				
FED. ROAD DIST. NO. ILLINOIS FED. AID PROJECT				

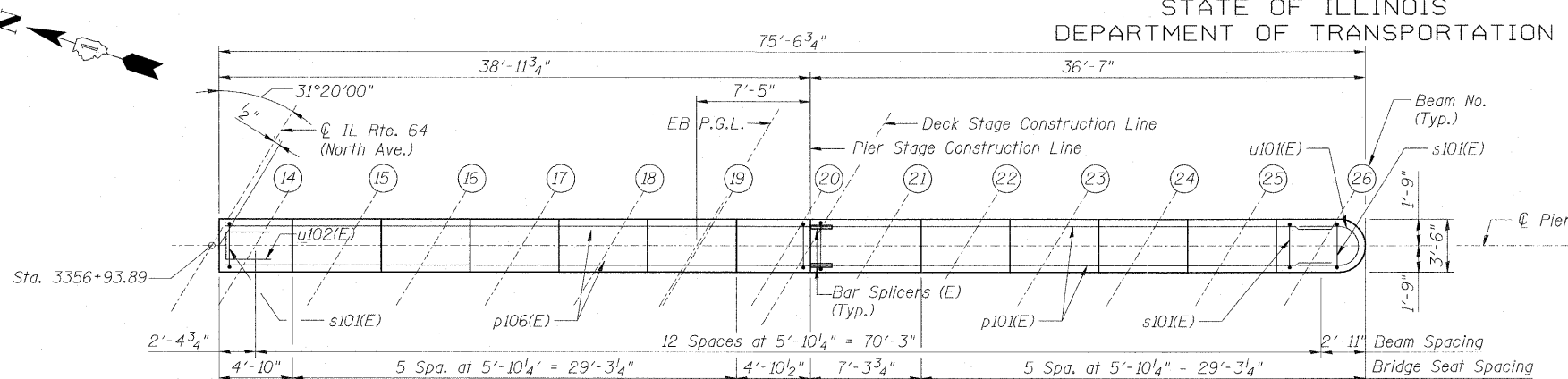
62410

PILE DATA:

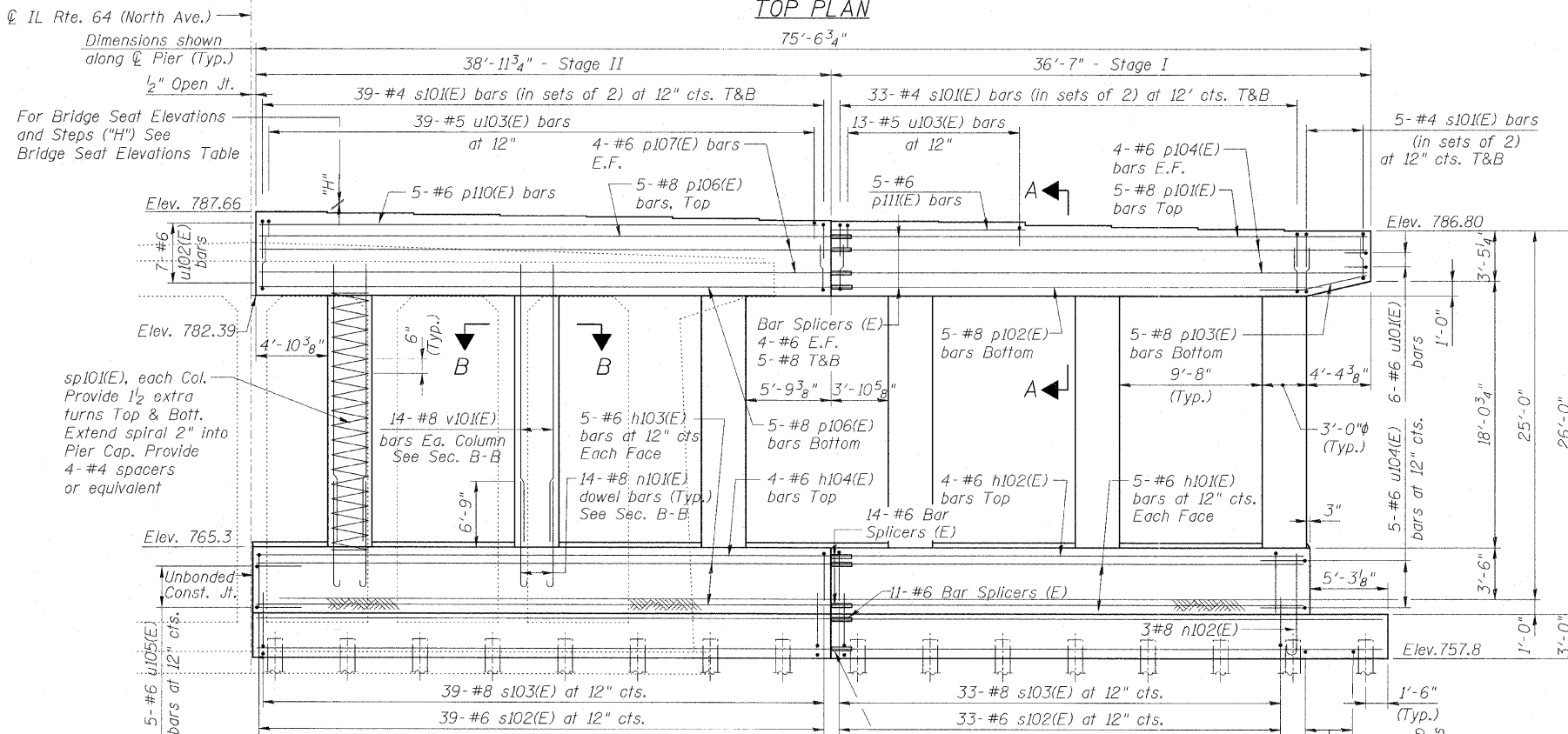
Type: Steel HP 14x73 w/ Pile Shoes
 Nominal Required Bearing: 240 Kips
 Factored Resistance Available: 120 Kips
 Est. Length: 45'
 Piles Required: 32

BEARING SEAT ELEVATIONS

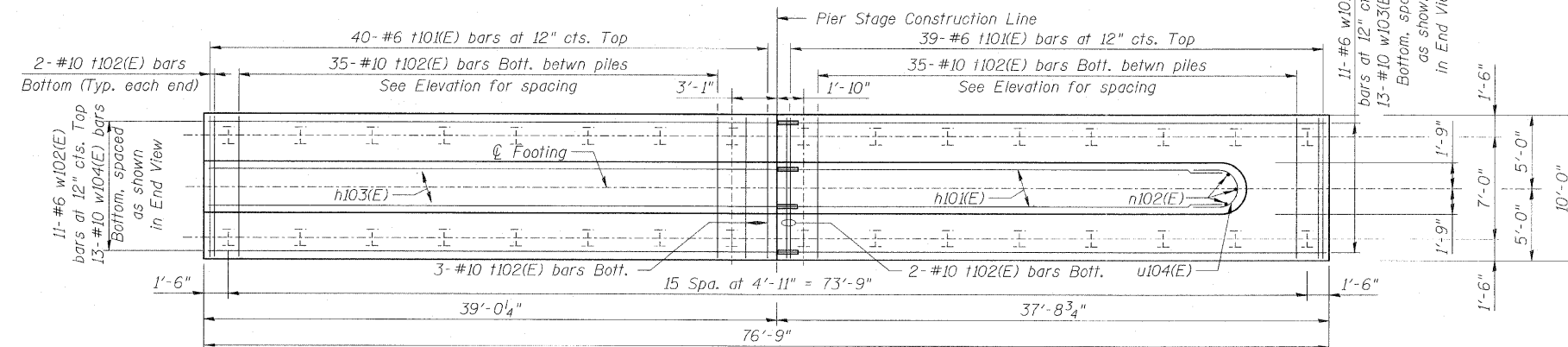
Beam No.	℄ Brg.	Step "H"
14	787.66	3/4"
15	787.60	3/4"
16	787.54	3/4"
17	787.48	3/4"
18	787.42	3/4"
19	787.36	3/4"
20	787.30	3/4"
21	787.23	7/8"
22	787.16	1/8"
23	787.07	1/8"
24	786.98	1/8"
25	786.89	1/8"
26	786.80	---



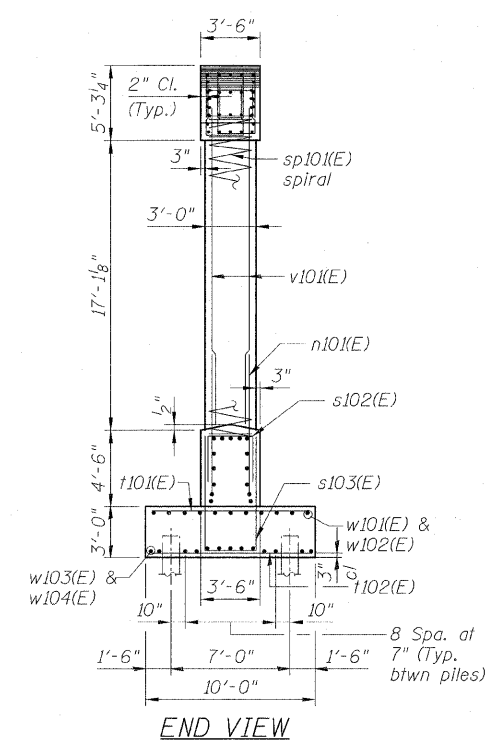
TOP PLAN



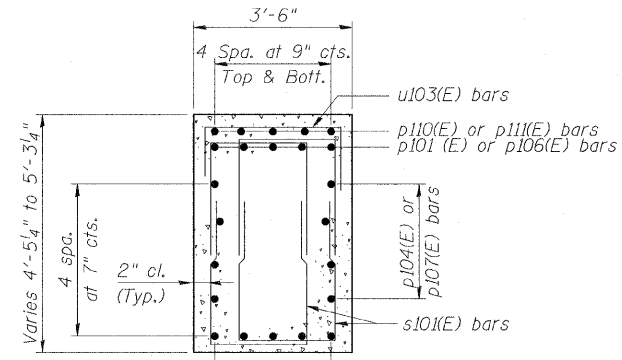
ELEVATION
 (Looking East)



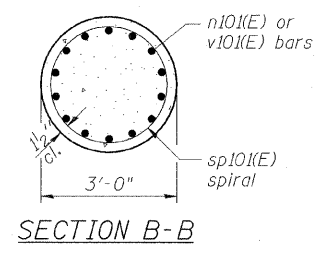
FOOTING PLAN



END VIEW



SECTION A-A



SECTION B-B

NOTES:

1. Reinforcement Bars designated (E) shall be epoxy coated.
2. Bars indicated thus 26x7-#5 etc. indicates 26 lines of bars with 7 lengths per line.
3. See Sheet B44 for Details and Bill of Material.
4. Work Sheets B42 thru B44 together.



REVISIONS	
NAME	DATE

Sheet B43 of 56

F.A.P. ROUTE 307 ILLINOIS ROUTE 64
 (NORTH AVENUE)
 OVER E.J.&E. AND U.P. R.R.
 EB PIER 1
 PLANS & ELEVATION
 STRUCTURE NUMBER 022-0190
 FAP 307 SECTION 130 R-2
 DUPAGE COUNTY
 STA. 3357+81.21

SCALE: None
 DATE: NOVEMBER 1, 2011
 DRAWN BY: CHD
 CHECKED BY: MJP