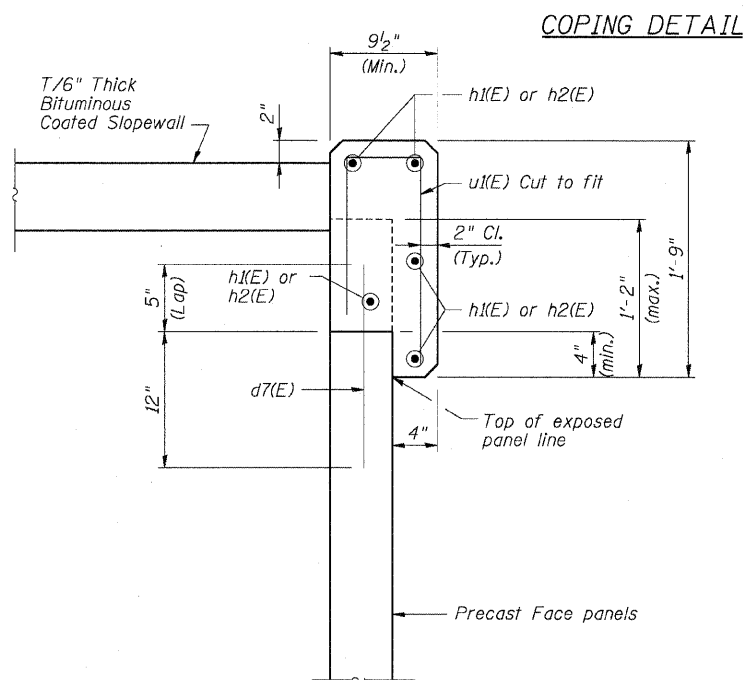
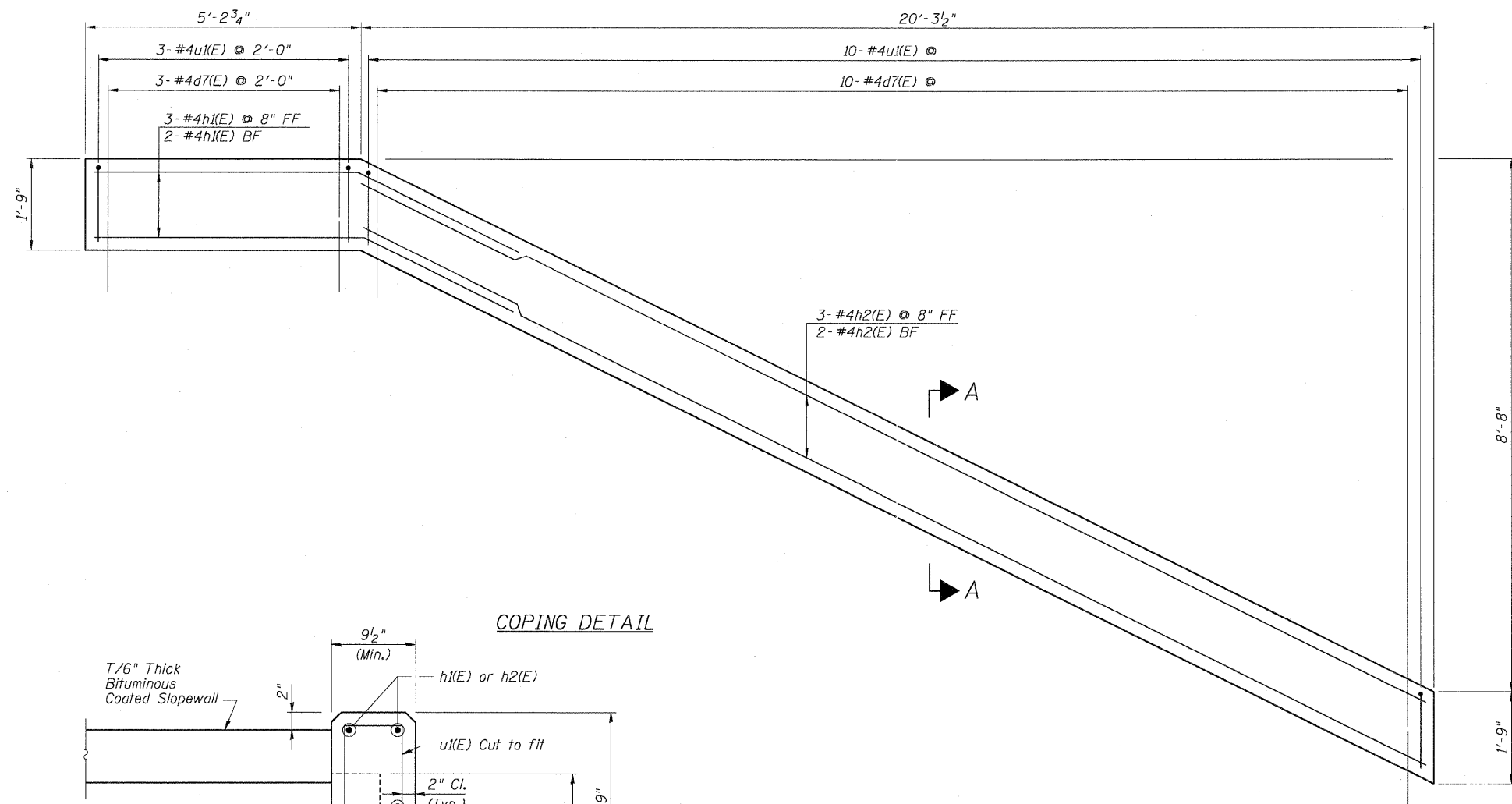


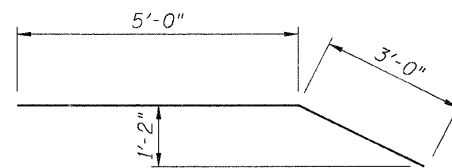
STATE OF ILLINOIS  
 DEPARTMENT OF TRANSPORTATION

F.A.P. RTE.	SECTION	COUNTY	TOTAL SHEETS	SHEET NO.
307	130 R-2	DUPAGE, KANE	647	515
STA. 3356+37.74		TO STA. 3359+24.72		
FED. ROAD DIST. NO.	ILLINOIS	FED. AID PROJECT		

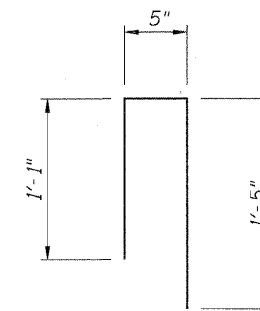
62410



SECTION A-A



BAR h1(E)



BAR u1(E)

NOTES:

1. For General Notes, see Sheet NE2.
2. For Bar Bending Diagrams, see Sheet NEB.
3. Concrete and Reinforcing Steel for Slopewall Coping are included in the cost of Mechanically Stabilized Earth Retaining Wall.

Sheet NE7 of 8



REVISIONS		F.A.P. ROUTE 307 ILLINOIS ROUTE 64 (NORTH AVENUE) OVER E.J.&E. AND U.P. R.R. COPING DETAILS
NAME	DATE	
		STRUCTURE NUMBER 022-W028 FAP 307 SECTION 130 R-2 DUPAGE COUNTY STA. 3358+66.25 TO 3366+48.00 SCALE: None DATE: MAY 13, 2011
		DRAWN BY: MRK
		CHECKED BY: MJP