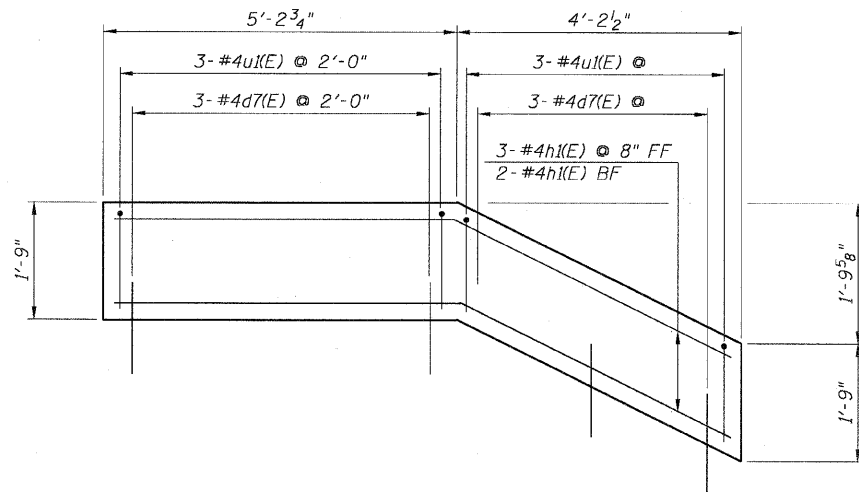


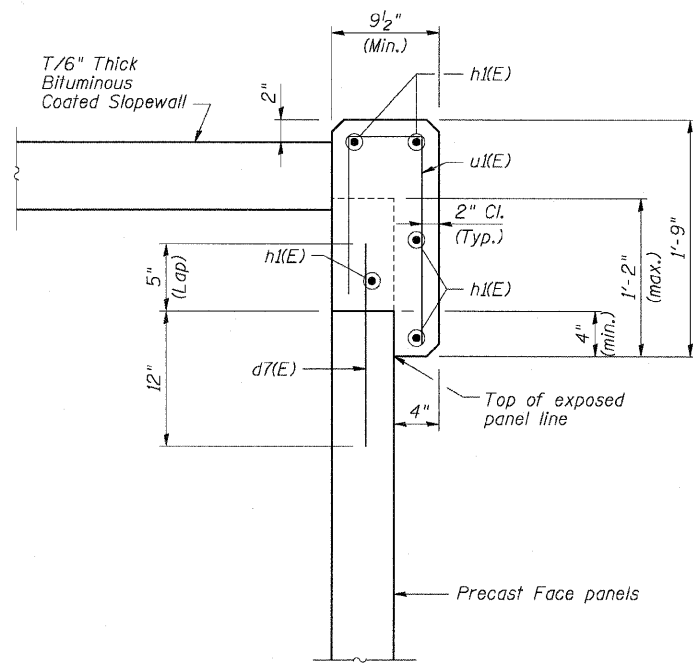
STATE OF ILLINOIS
 DEPARTMENT OF TRANSPORTATION

F.A.P. RTE.	SECTION	COUNTY	TOTAL SHEETS	SHEET NO.
307	130 R-2	DUPAGE, KANE	647	523
STA. 3356+37.74		TO STA. 3359+24.72		
FED. ROAD DIST. NO.		ILLINOIS FED. AID PROJECT		

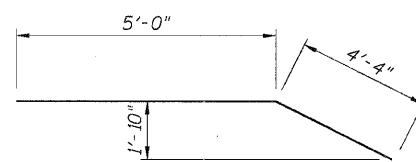
62410



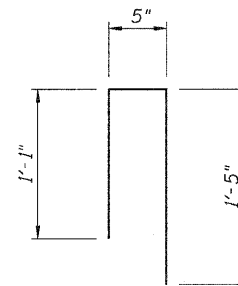
COPING DETAIL



SECTION A-A



BAR h1(E)



BAR u1(E)

NOTES:

1. For General Notes, see Sheet SW2.
2. For Bar Bending Diagrams, see Sheet SW8.
3. Concrete and Reinforcing Steel for Slopewall
 Coping is included in the cost of Mechanically Stabilized Earth Retaining Wall.

Sheet SW7 of 8



REVISIONS	
NAME	DATE

F.A.P. ROUTE 307 ILLINOIS ROUTE 64
 (NORTH AVENUE)
 OVER E.J.&E. AND U.P. R.R.
 COPING DETAILS

STRUCTURE NUMBER 022-W029
 FAP 307 SECTION 130 R-2
 DUPAGE COUNTY
 STA. 3350+69.00 TO 3356+80.01

SCALE: None DRAWN BY: MRK
 DATE: MAY 13, 2011 CHECKED BY: MJP