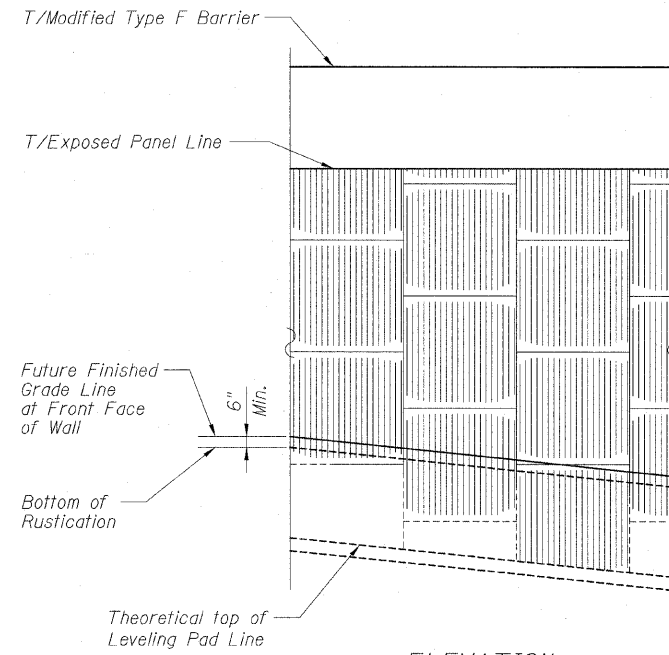
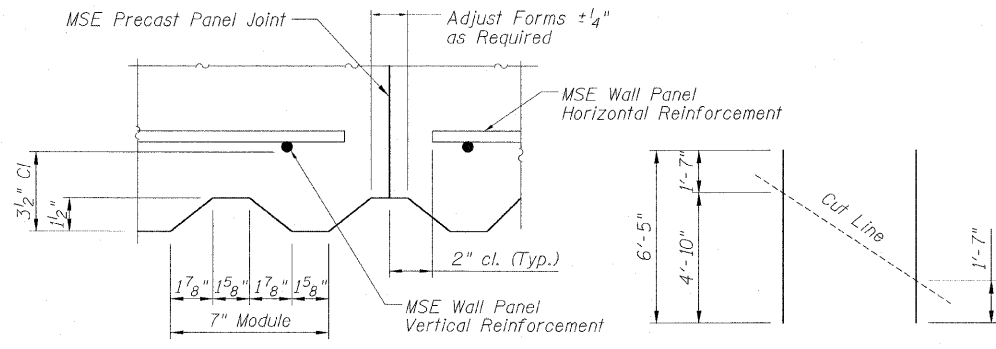


STATE OF ILLINOIS
 DEPARTMENT OF TRANSPORTATION

F.A.P. RTE.	SECTION	COUNTY	TOTAL SHEETS	SHEET NO.
307	130 R-2	DUPAGE, KANE	647	533
STA. 3356+37.74		TO STA. 3359+24.72		
FED. ROAD DIST. NO.	ILLINOIS FED. AID PROJECT		62410	

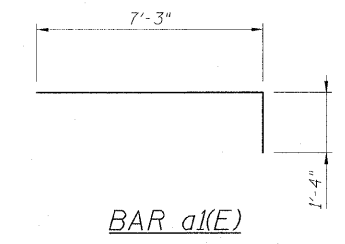


ELEVATION
TYPICAL ARCHITECTURAL FINISH

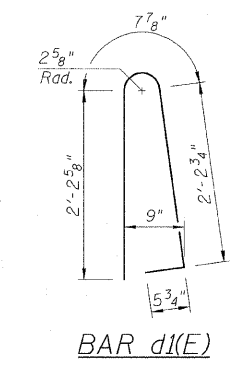


MSE WALL PANEL FLUTE DETAIL
 Full Height of Wall

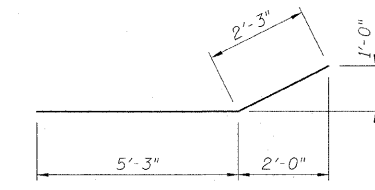
CUTTING DIAGRAM
BAR d6(E)



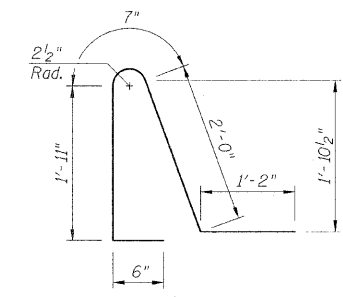
BAR a1(E)



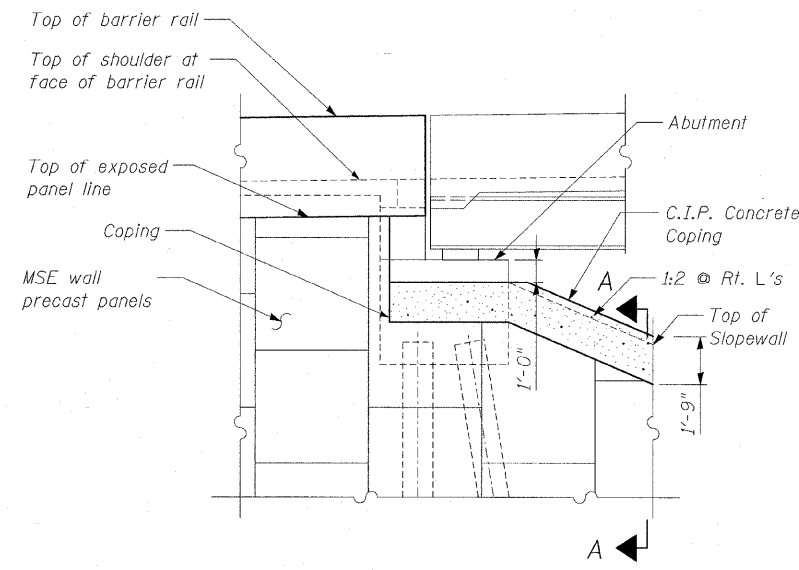
BAR d1(E)



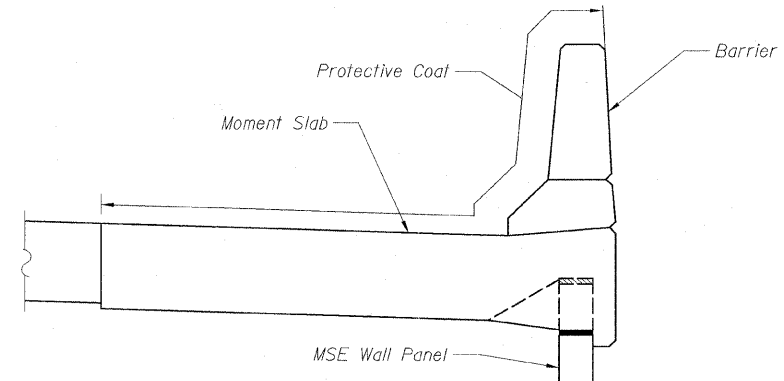
BAR a2(E)



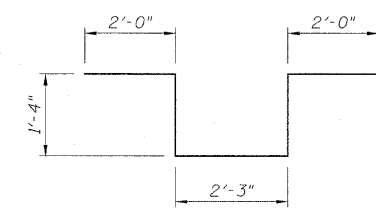
BAR d2(E)



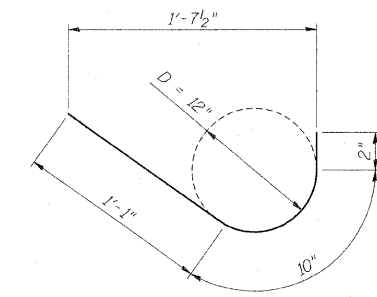
DETAIL 1
 (Looking North)



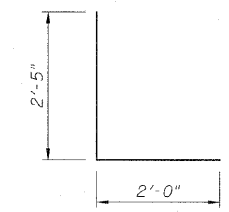
PROTECTIVE COAT



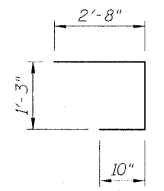
BAR d4(E)



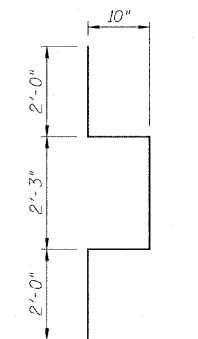
BAR j1(E)



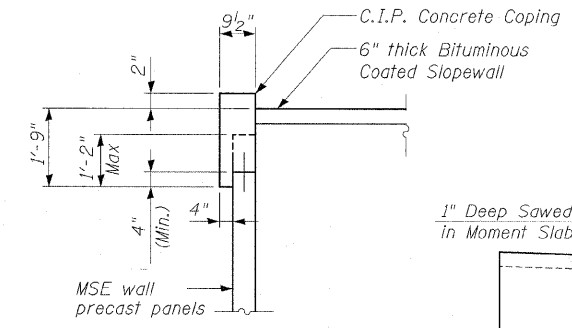
BAR d5(E)



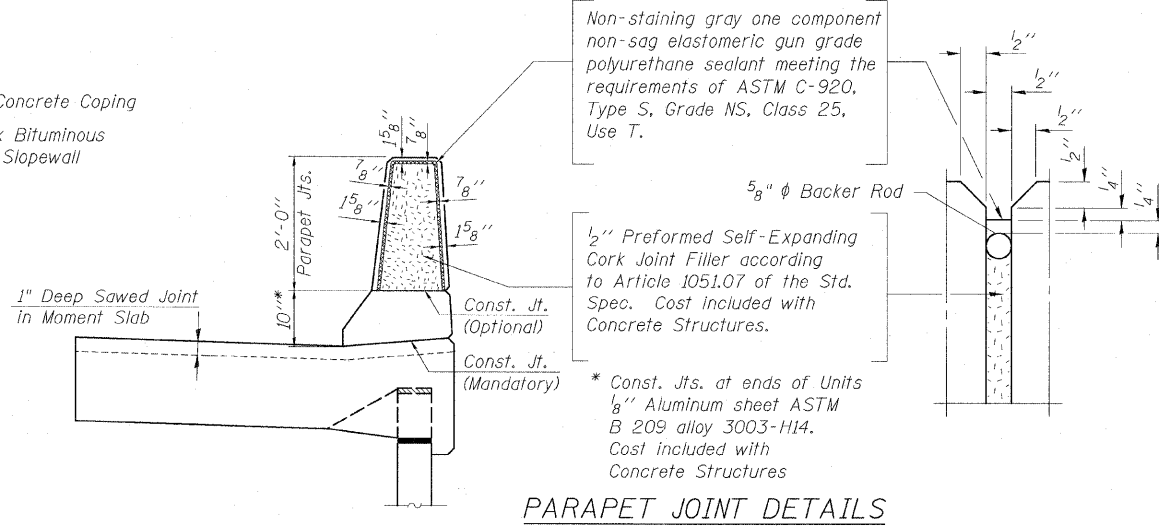
BAR a3(E)



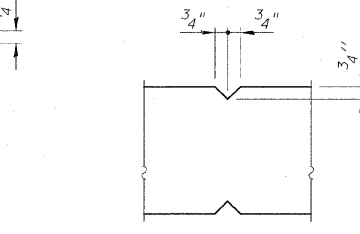
BAR a7(E)



SECTION A-A



PARAPET JOINT DETAILS



3/4" V-GROOVED JOINT DETAIL

NOTES:
 1. For General Notes, see Sheet SE2.

BILL OF MATERIAL

Bar	No.	Size	Length	Shape
a1(E)	1013	#5	8'-7"	
a2(E)	1013	#5	7'-6"	
a3(E)	9	#6	4'-9"	
a4(E)	64	#5	4'-8"	
a5(E)	2	#5	6'-6"	
a7(E)	9	#6	7'-11"	
b1(E)	374	#5	33'-8"	
b2(E)	17	#5	23'-7"	
d1(E)	1017	#5	5'-7"	
d2(E)	1017	#5	6'-2"	
d3(E)	340	#6	2'-6"	
d4(E)	15	#6	8'-11"	
d5(E)	9	#6	4'-5"	
d8(E)	81	#4	1'-5"	
e1(E)	154	#4	29'-6"	
e2(E)	22	#4	32'-1"	
e3(E)	22	#8	34'-5"	
e5(E)	7	#4	15'-1"	
e6(E)	1	#4	16'-6"	
e7(E)	1	#8	17'-7"	
h2(E)	18	#4	27'-8"	
h3(E)	3	#4	12'-5"	
j1(E)	81	#4	2'-1"	
Item	Unit	Quantity		
Reinforcement Bars, Epoxy Coated	Pound	51,110		



Sheet SE9 of 9
 F.A.P. ROUTE 307 ILLINOIS ROUTE 64 (NORTH AVENUE) OVER E.J.&E. AND U.P. R.R. REINFORCEMENT DETAILS AND BILL OF MATERIAL STRUCTURE NUMBER 022-W030 FAP 307 SECTION 130 R-2 DUPAGE COUNTY STA. 3349+70.04 TO 3356+08.49 SCALE: None DRAWN BY: MRK DATE: NOVEMBER 1, 2011 CHECKED BY: MJP