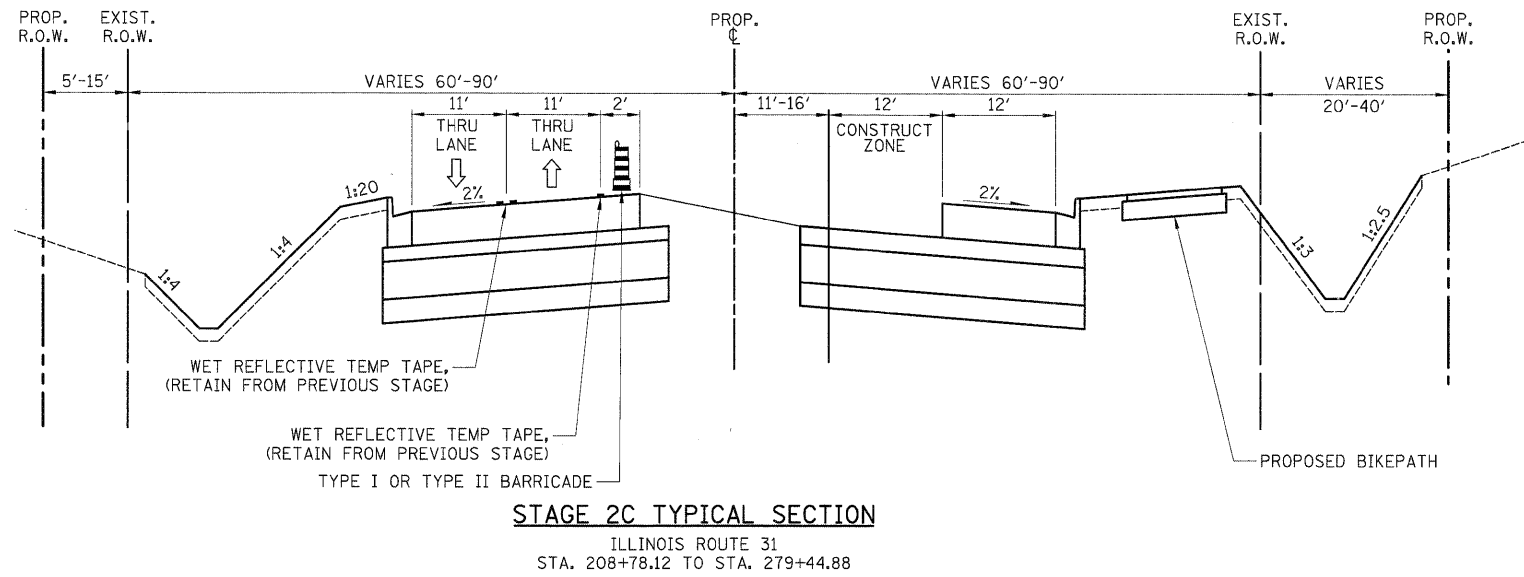


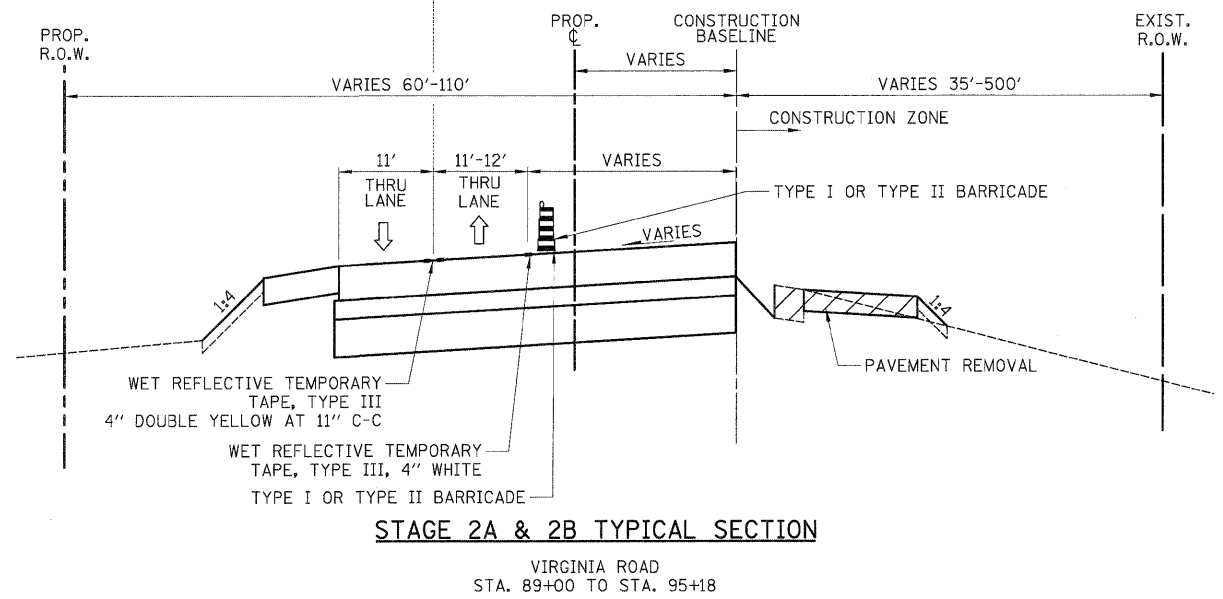
STAGE 2A & 2B TYPICAL SECTION

ILLINOIS ROUTE 31
STA. 208+78.12 TO STA. 279+44.88



STAGE 2C TYPICAL SECTION

ILLINOIS ROUTE 31
STA. 208+78.12 TO STA. 279+44.88



STAGE 2A & 2B TYPICAL SECTION

VIRGINIA ROAD
STA. 89+00 TO STA. 95+18

PRE-STAGE 2A

- CONSTRUCT TEMPORARY PAVEMENT AT NORTH AND SOUTH LIMITS OF ILLINOIS ROUTE 31.
- CONSTRUCT TEMPORARY PAVEMENT AT NORTHWEST LIMITS OF VIRGINIA ROAD.
- INSTALL TEMPORARY PAVEMENT MARKING ON WEST SIDE OF ILLINOIS ROUTE 31
- INSTALL TEMPORARY AND PERMANENT PAVEMENT MARKINGS ON VIRGINIA ROAD.
- NOTICE OF RELOCATION OF VIRGINIA ROAD AND ILLINOIS ROUTE 31 INTERSECTION.
- NOTICE OF CLOSURE OF KLASEN ROAD.

STAGE 2A

- SHIFT TRAFFIC TO PERMANENT PAVEMENT ON WEST SIDE OF ILLINOIS ROUTE 31.
- SHIFT TRAFFIC TO PERMANENT PAVEMENT ON RELOCATED VIRGINIA ROAD.
- CONSTRUCT SOUTHSIDE OF RELOCATED VIRGINIA ROAD TO STATION 95+00.
- INSTALL REGIONAL DETOUR FOR KLASEN ROAD CLOSURE.
- INSTALL EROSION CONTROL MEASURES ON KLASEN ROAD AND EAST SIDE OF ILLINOIS ROUTE 31.
- CLOSE AND CONSTRUCT KLASEN ROAD.
- INSTALL PERMANENT PAVEMENT MARKINGS ON KLASEN ROAD.

STAGE 2B

- GRADE THE NORTHBOUND LANES, CONSTRUCT STORM SEWER AND OUTSIDE LANE PAVEMENT ON EAST SIDE OF ILLINOIS ROUTE 31.
- CONSTRUCT BIKE LANE.
- COMPLETE REMOVAL OF EXISTING VIRGINIA ROAD.
- GRADE THE DITCHES.
- INSTALL PERMANENT PAVEMENT MARKINGS ON VIRGINIA ROAD.

STAGE 2C

- CONSTRUCT INSIDE LANE PAVEMENT ON EAST SIDE OF ILLINOIS ROUTE 31.

FILE NAME =	USER NAME = dte	DESIGNED - DTE	REVISED -	STATE OF ILLINOIS DEPARTMENT OF TRANSPORTATION	MAINTENANCE OF TRAFFIC TYPICAL SECTIONS	F.A.U. RTE.	SECTION	COUNTY	TOTAL SHEETS	SHEET NO.	
Y:\2278 Virginia Klasen\cad\sheet\06-MD	\2278_MDT_1.TYP.dgn	DRAWN - DTE	REVISED -			3887	96-00209-01-PV	McHENRY	271	25	
PLOT SCALE = 1:2000' / 1"		CHECKED - GAB	REVISED -			CONTRACT NO. 63553					
PLOT DATE = 12/28/2011		DATE - 10/24/11	REVISED -			SCALE: NONE	SHEET NO. 2 OF 31 SHEETS	STA. TO STA.	FED. ROAD DIST. NO. 1 ILLINOIS FED. AID PROJECT HPP-40640031		