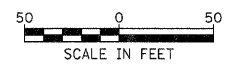
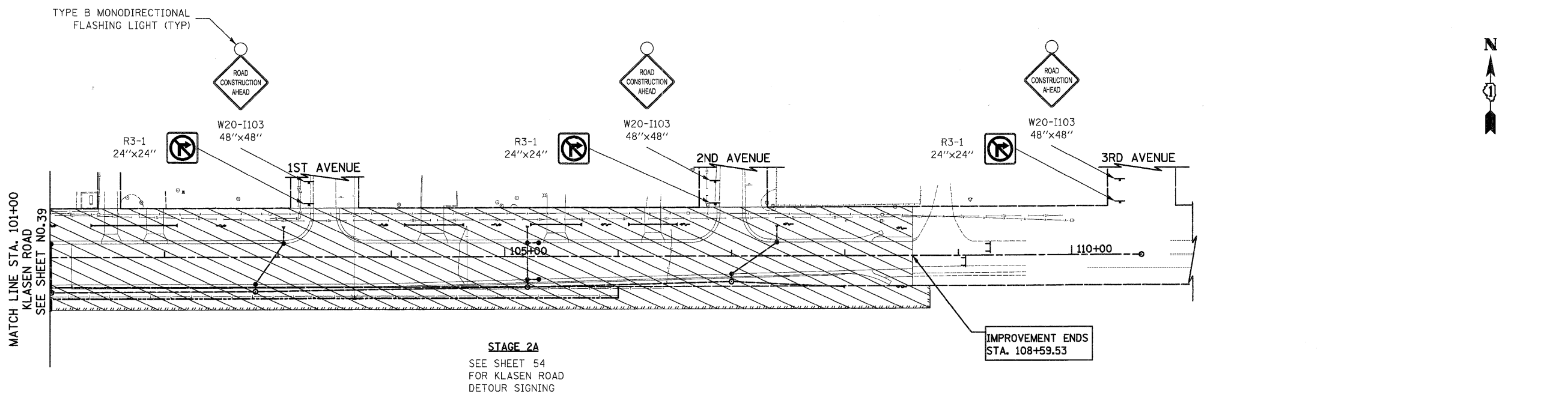


ILLINOIS ROUTE 31



KLASEEN ROAD

|  |                                       |                 |           |   |  |                           |     |                     |   |                   |                     |                 |
|--|---------------------------------------|-----------------|-----------|---|--|---------------------------|-----|---------------------|---|-------------------|---------------------|-----------------|
| FILE NAME = Y:\2278 Virginia Klaseen\cad\sheet\06-MO | USER NAME = dte<br>2278_MOT_2A_04.dgn | DESIGNED - DTE  | REVISED - | <b>STATE OF ILLINOIS<br/>DEPARTMENT OF TRANSPORTATION</b> | <b>MAINTENANCE OF TRAFFIC - STAGE 2A</b> |                           |     | F.A.J. RTE.<br>3887 | SECTION<br>96-00209-01-PV                                     | COUNTY<br>McHENRY | TOTAL SHEETS<br>271 | SHEET NO.<br>41 |
|  | PLOT SCALE = 50.0000' / in.           | DRAWN - DTE     | REVISED - |   | SCALE: 1" = 50'                          | SHEET NO. 18 OF 31 SHEETS | STA | TO STA              | FED. ROAD DIST. NO. 1 ILLINOIS FED. AID PROJECT HPP-4064(003) |                   |                     |                 |
|  | PLOT DATE = 10/24/2011                | CHECKED - GAB   | REVISED - |   |  |                           |     |                     |   |                   |                     |                 |
|  |                                       | DATE - 10/24/11 | REVISED - |   | CONTRACT NO. 63553                       |                           |     |                     |   |                   |                     |                 |