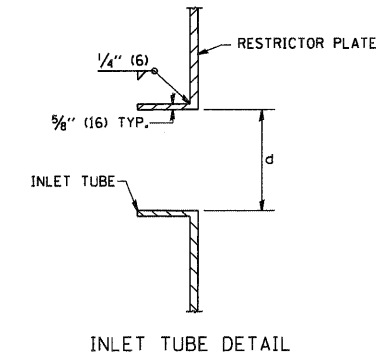
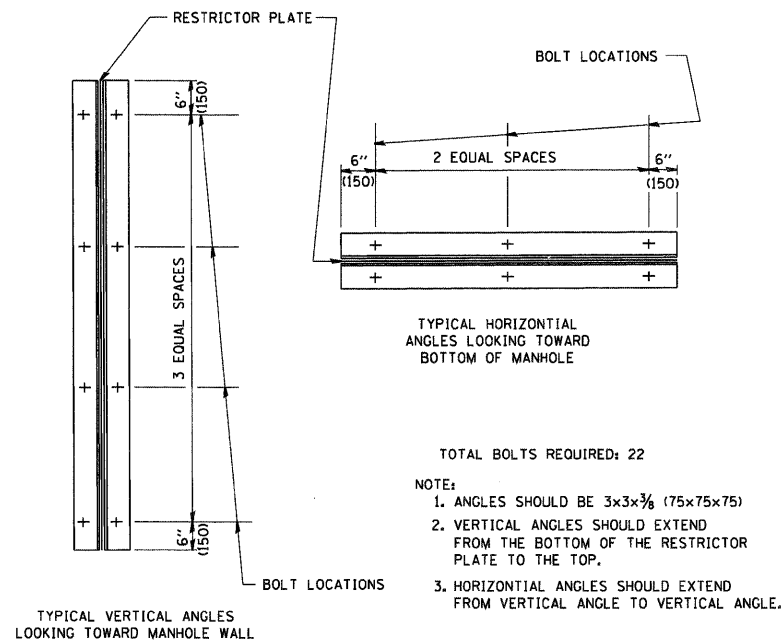


- NOTES:
1. ALL STEEL ANGLES AND PLATES TO BE GALVANIZED AFTER FABRICATION.
 2. ALL RESTRICTOR PLATES, ANGLES AND HARDWARE TO BE INCLUDED IN THE COST OF THE MANHOLE.
 3. BASIS OF PAYMENT: "MANHOLES, TYPE A, 6 FT. (1.8 m)-DIAMETER, TYPE I FRAME, CLOSED LID, RESTRICTOR PLATE" EACH



STATION	MANHOLE DIAMETER	FRAME AND GRATE	RESTRICTOR TYPE	INSIDE RESTRICTOR TYPE DIAMETER in. (d)	INVERT OF RESTRICTOR TYPE	ELEVATION OF TOP OF PLATE OVERFLOW
233+00, LT	6	T1F CL	2	7.44	882.80	886.09
235+50, LT	6	T1F CL	2	10.44	883.75	887.14
235+50, RT	6	T1F CL	2	9.56	883.70	887.57
261+00, LT	6	T1F CL	2	5.81	866.10	870.18
263+20, RT	6	T1F CL	2	11.63	863.75	867.30
265+40, LT	6	T1F CL	2	6.81	862.00	865.26
265+75, RT	6	T1F CL	2	11.08	862.35	866.05
265+75, LT	6	T1F CL	2	10.17	861.85	865.42
100+02, RT	6	T1F CL	2	8.31	884.60	891.07
220+95, RT	7	T1F CL	2	6	877.92	884.95
220+95, LT	7	T1F CL	2	6	879.24	881.95
221+15, LT	7	T1F CL	2	8	879.24	883.75



RESTRICTOR TYPE					
1	2	3	4	5	6
RE-ENTRANT TUBE	SHARP EDGED	SQUARE EDGED	RE-ENTRANT TUBE	SQUARE EDGED	ROUNDED
LENGTH: 1/2 TO 1 DIA.		STREAM CLEARS SIDES	LENGTH: 2-1/2 DIA.	LENGTH: 2-1/2 DIA.	
C=.52	C=.61	C=.61	C=.73	C=.82	C=.98

VALUES OF "C" FOR CIRCULAR AND SQUARE ORIFICES

ALL DIMENSIONS ARE IN INCHES (MILLIMETERS) UNLESS OTHERWISE SHOWN.