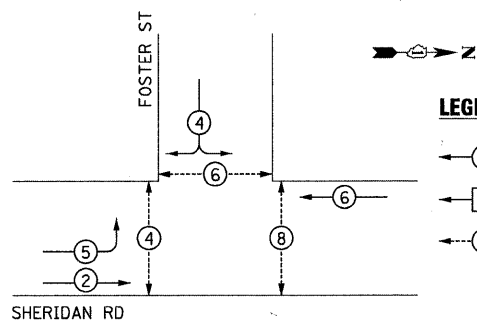


CONTROLLER SEQUENCE

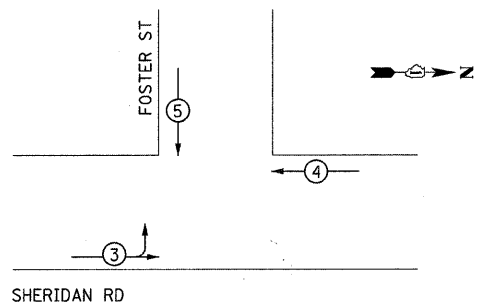


LEGEND:

- ⊛ DUAL ENTRY PHASE
- ⊛ SINGLE ENTRY PHASE
- ⊛ PEDESTRIAN PHASE
- * NUMBER REFERS TO ASSOCIATED PHASE

PHASE DESIGNATION DIAGRAM

EMERGENCY VEHICLE PREEMPTION SEQUENCE



PROPOSED EMERGENCY VEHICLE PREEMPTORS			
EMERGENCY VEHICLE PREEMPTOR	3	4	5
MOVEMENT	↑	←	↓

INTERSECTION AND SAMPLING (SYSTEM) DETECTORS

I.D.O.T. TRAFFIC SIGNAL INSTALLATION ELECTRICAL SERVICE REQUIREMENTS					TOTAL WATTAGE
TYPE	NO. OF LAMPS	WATTAGE	LEDx% OPERATION		
SIGNAL (RED)	9	17	0.50	76.50	
(YELLOW)	9	25	0.25	56.25	
(GREEN)	9	15	0.25	33.75	
ARROW	4	12	0.10	4.80	
PED. SIGNAL	6	25	1.00	150.00	
CONTROLLER	1	100	1.00	100.00	
ILLUM. SIGN	-	25	0.05	-	
FLASHER			0.50		

ENERGY COSTS TO: TOTAL = 421.30

ILLINOIS DEPARTMENT OF TRANSPORTATION
 DIVISION OF HIGHWAY/DISTRICT 1
 201 WEST CENTER COURT/SCHAUMBURG, ILLINOIS 60196-1096
 ENERGY SUPPLY: CONTACT: LARRY SHANK
 PHONE: (847) 816-5465
 COMPANY: COMED



FILE NAME = 11_023301-shft-ep008.dgn	USER NAME = USER:8291	DESIGNED - THG/MPW	REVISED -
		DRAWN - THG/MPW	REVISED -
		CHECKED - SRS	REVISED -
		DATE - 08/16/11	REVISED -

DESIGNED - THG/MPW	REVISED -
DRAWN - THG/MPW	REVISED -
CHECKED - SRS	REVISED -
DATE - 08/16/11	REVISED -

STATE OF ILLINOIS
 DEPARTMENT OF TRANSPORTATION

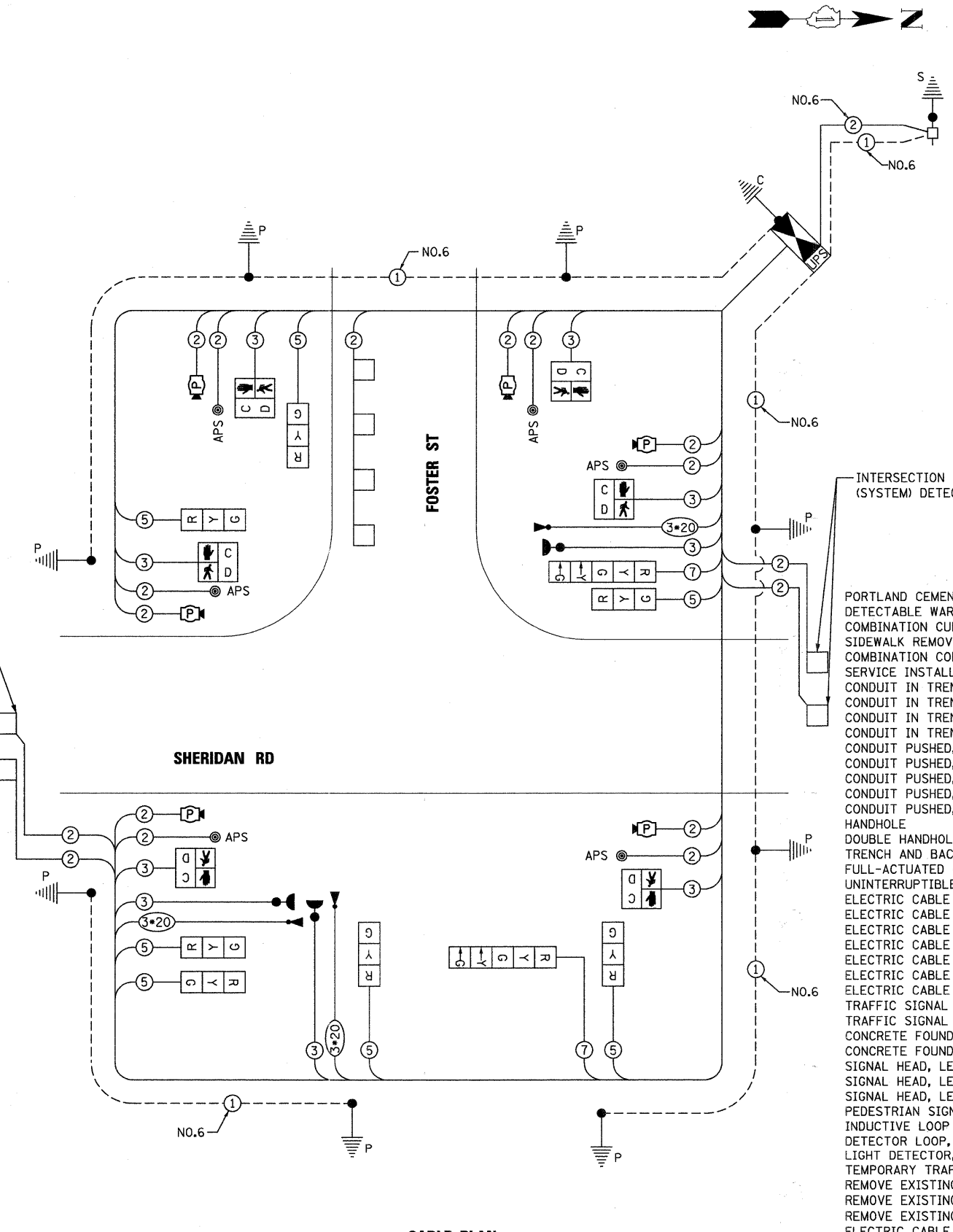
SCHEDULE OF QUANTITIES, CABLE PLAN, PHASE DESIGNATION
 DIAGRAM AND EMERGENCY VEHICLE PREEMPTION SEQUENCE
 SHERIDAN ROAD AND FOSTER STREET

F.A.U. RTE. 2853	SECTION 10-00258-00TL	COUNTY COOK	TOTAL SHEETS 38	SHEET NO. 11
SCALE: N.T.S.			CONTRACT NO. 63630	

RESTORATION OF WORK AREA
 RESTORATION OF THE TRAFFIC SIGNAL WORK AREA SHALL BE INCIDENTAL TO THE RELATED PAY ITEM SUCH AS FOUNDATION, CONDUIT HANDHOLE, TRENCH AND BACKFILL, ETC., AND NO EXTRA COMPENSATION SHALL BE ALLOWED. ALL ROADWAY SURFACES SUCH AS SHOULDERS, MEDIANS, SIDEWALKS, PAVEMENT, ETC. SHALL BE REPLACED IN KIND, ALL DAMAGE TO MOWED LAWNS SHALL BE REPLACED WITH AN APPROVED SOD, AND ALL DAMAGE TO UNMOWED FIELDS SHALL BE SEEDED IN ACCORDANCE WITH STANDARD SPECIFICATIONS 252 AND 250 RESPECTIVELY.

NOTE:
 THE TRAFFIC SIGNAL CONTROLLER EQUIPMENT FOR THIS PROJECT SHALL BE "EAGLE" TO MATCH THE EXISTING ADJACENT SYSTEM.

THE END OF THE TRACER CABLE SHALL BE CONTINUOUS AND EXTEND INTO THE CONTROLLER CABINET.



CABLE PLAN

INTERSECTION AND SAMPLING (SYSTEM) DETECTORS

SCHEDULE OF QUANTITIES

ITEM	UNIT	TOTAL
PORTLAND CEMENT CONCRETE SIDEWALK 5 INCH	SQ FT	398
DETECTABLE WARNINGS	SQ FT	76
COMBINATION CURB AND GUTTER REMOVAL	FOOT	58
SIDEWALK REMOVAL	SQ FT	358
COMBINATION CONCRETE CURB AND GUTTER, TYPE B-6.12	FOOT	58
SERVICE INSTALLATION - POLE MOUNTED	EACH	1
CONDUIT IN TRENCH, 2" DIA., GALVANIZED STEEL	FOOT	702
CONDUIT IN TRENCH, 2 1/2" DIA., GALVANIZED STEEL	FOOT	76
CONDUIT IN TRENCH, 3" DIA., GALVANIZED STEEL	FOOT	43
CONDUIT IN TRENCH, 5" DIA., GALVANIZED STEEL	FOOT	10
CONDUIT PUSHED, 2" DIA., GALVANIZED STEEL	FOOT	80
CONDUIT PUSHED, 2 1/2" DIA., GALVANIZED STEEL	FOOT	55
CONDUIT PUSHED, 3" DIA., GALVANIZED STEEL	FOOT	40
CONDUIT PUSHED, 4" DIA., GALVANIZED STEEL	FOOT	120
CONDUIT PUSHED, 5" DIA., GALVANIZED STEEL	FOOT	29
HANDHOLE	EACH	6
DOUBLE HANDHOLE	EACH	1
TRENCH AND BACKFILL FOR ELECTRICAL WORK	FOOT	914
FULL-ACTUATED CONTROLLER AND TYPE IV CABINET	EACH	1
UNINTERRUPTIBLE POWER SUPPLY	EACH	1
ELECTRIC CABLE IN CONDUIT, SIGNAL NO. 14 2C	FOOT	1,639
ELECTRIC CABLE IN CONDUIT, SIGNAL NO. 14 3C	FOOT	1,916
ELECTRIC CABLE IN CONDUIT, SIGNAL NO. 14 5C	FOOT	1,034
ELECTRIC CABLE IN CONDUIT, SIGNAL NO. 14 7C	FOOT	474
ELECTRIC CABLE IN CONDUIT, LEAD-IN, NO. 14 1 PAIR	FOOT	1,724
ELECTRIC CABLE IN CONDUIT, SERVICE, NO. 6 2 C	FOOT	222
ELECTRIC CABLE IN CONDUIT, EQUIPMENT GROUNDING CONDUCTOR, NO. 6 1C	FOOT	525
TRAFFIC SIGNAL POST, 16 FT.	EACH	1
TRAFFIC SIGNAL POST, 18 FT.	EACH	7
CONCRETE FOUNDATION, TYPE A	FOOT	32
CONCRETE FOUNDATION, TYPE C	FOOT	4
SIGNAL HEAD, LED, 1-FACE, 3-SECTION, BRACKET MOUNTED	EACH	3
SIGNAL HEAD, LED, 2-FACE, 3-SECTION, BRACKET MOUNTED	EACH	1
SIGNAL HEAD, LED, 2-FACE, 1-3 SECTION, 1-5 SECTION, BRACKET MOUNTED	EACH	2
PEDESTRIAN SIGNAL HEAD, LED, 1-FACE, BRACKET MOUNTED WITH COUNTDOWN TIMER	EACH	6
INDUCTIVE LOOP DETECTOR	EACH	5
DETECTOR LOOP, TYPE I	FOOT	276
LIGHT DETECTOR, SPECIAL	EACH	3
TEMPORARY TRAFFIC SIGNAL INSTALLATION	EACH	1
REMOVE EXISTING TRAFFIC SIGNAL EQUIPMENT	EACH	1
REMOVE EXISTING HANDHOLE	EACH	3
REMOVE EXISTING CONCRETE FOUNDATION	EACH	7
ELECTRIC CABLE IN CONDUIT NO. 20 3/C, TWISTED, SHIELDED	FOOT	499
MICROWAVE DETECTION UNIT	EACH	6
ACCESSIBLE PEDESTRIAN SIGNALS	EACH	6
VIBROTACTILE FEATURE	EACH	6
LIGHT DETECTOR AMPLIFIER	EACH	1