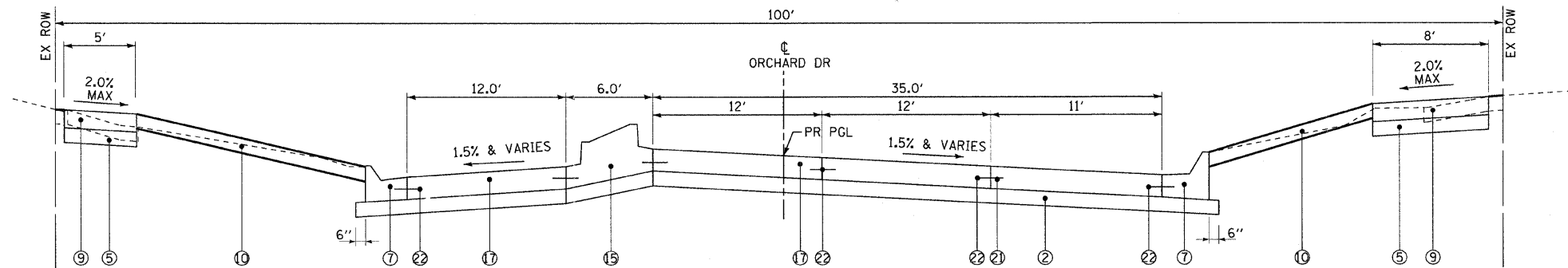


**EXISTING TYPICAL SECTION
ORCHARD DRIVE**

STA 216+50 TO STA 217+36



**PROPOSED TYPICAL SECTION
ORCHARD DRIVE**

STA 216+50 TO STA 217+36

EXISTING LEGEND

- A HMA PAVEMENT (VARIES 5'-7")
- B PCC BASE COURSE (AVG. DEPTH 8")
- C AGGREGATE BASE COURSE (VARIES 6"-11")
- D COMBINATION CONCRETE CURB AND GUTTER
- E CONCRETE CURB
- F SIDEWALK
- G PCC PAVEMENT, 10"
- H HOT-MIX ASPHALT SURFACE REMOVAL, 2 1/4"
- I PAVEMENT REMOVAL
- J CONCRETE MEDIAN
- ITEM TO BE REMOVED

PROPOSED LEGEND

- 1 HOT-MIX ASPHALT PAVEMENT (FULL-DEPTH), 8"
- 2 AGGREGATE SUBGRADE 12"
- 3 HOT-MIX ASPHALT SURFACE COURSE, MIX "D", N50, 1 1/2"
- 4 HOT-MIX ASPHALT BASE COURSE, 6"
- 5 AGGREGATE BASE COURSE, TYPE B 4"
- 6 COMBINATION CONCRETE CURB AND GUTTER, TYPE B-6.12
- 7 COMBINATION CONCRETE CURB AND GUTTER, TYPE B-6.24
- 8 CONCRETE CURB, TYPE B
- 9 PORTLAND CEMENT CONCRETE SIDEWALK 5 INCH
- 10 TOPSOIL FURNISH & PLACE, 4"
- (SEE LANDSCAPING PLANS FOR SEEDING & SODDING LOCATIONS)
- 11 CLASS D PATCHES, 5"
- 12 POLYMERIZED LEVELING BINDER (MACHINE METHOD), IL-4.75, N50 3/4" MIN
- 13 POROUS GRANULAR EMBANKMENT, SUBGRADE 6-INCH
- 14 PCC BASE COURSE WIDENING, 6"
- 15 CONCRETE MEDIAN, TYPE SB-6.12
- 16 CLASS B PATCHES
- 17 PORTLAND CEMENT CONCRETE PAVEMENT 10" (JOINTED)
- 18 STRIP REFLECTIVE CRACK CONTROL
- 19 HOT-MIX ASPHALT SURFACE COURSE, MIX "D", N50 2 1/4"
- 20 CONCRETE MEDIAN, TYPE M-2.12
- 21 CONSTRUCTION JOINT WITH TIE BARS (INCLUDED IN THE COST OF THE PROPOSED PAVEMENT)
- 22 TIE BARS (INCLUDED IN THE COST OF THE PROPOSED CURB AND GUTTER)

COPYRIGHT © 2011 BY BAXTER & WOODMAN, INC.
 STATE OF ILLINOIS - PROFESSIONAL DESIGN FIRM
 2836 S. WOODSTOCK RD., SUITE 100, CHICAGO, IL 60608
 IN: 312.467.1000 FAX: 312.467.1001
 I:\CADD\2011\060670\PH2-TYPICAL.shx



DESIGNED - TAO	REVISED -
DRAWN - MAC	REVISED -
CHECKED - TAO	REVISED -
DATE - 10/24/11	FILE - 060670-PH2-TYPICAL.shx

**STATE OF ILLINOIS
ORCHARD DRIVE IMPROVEMENTS**

TYPICAL SECTIONS

SCALE: STA. TO STA.

F.A.J. RTE.	SECTION	COUNTY	TOTAL SHEETS	SHEET NO.
2836	06-00090-00-FP	COOK	200	13
CONTRACT NO. 63635				
FED. ROAD DIST. NO. 1 ILLINOIS FED. AID PROJECT M-8003661				